

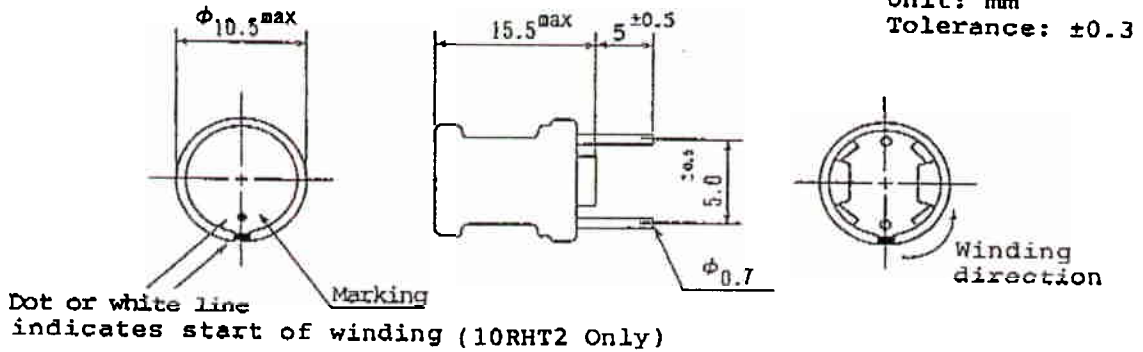
Customer.
 Customers Dwg. Number Rev.
 Customers Part Number (See page 2/8, 3/8, 4/8 & 5/8)
 Tokos Sample Number (See page 2/8, 3/8, 4/8 & 5/8)

Approved by
FOR REFERENCE ONLY
 Signature Date

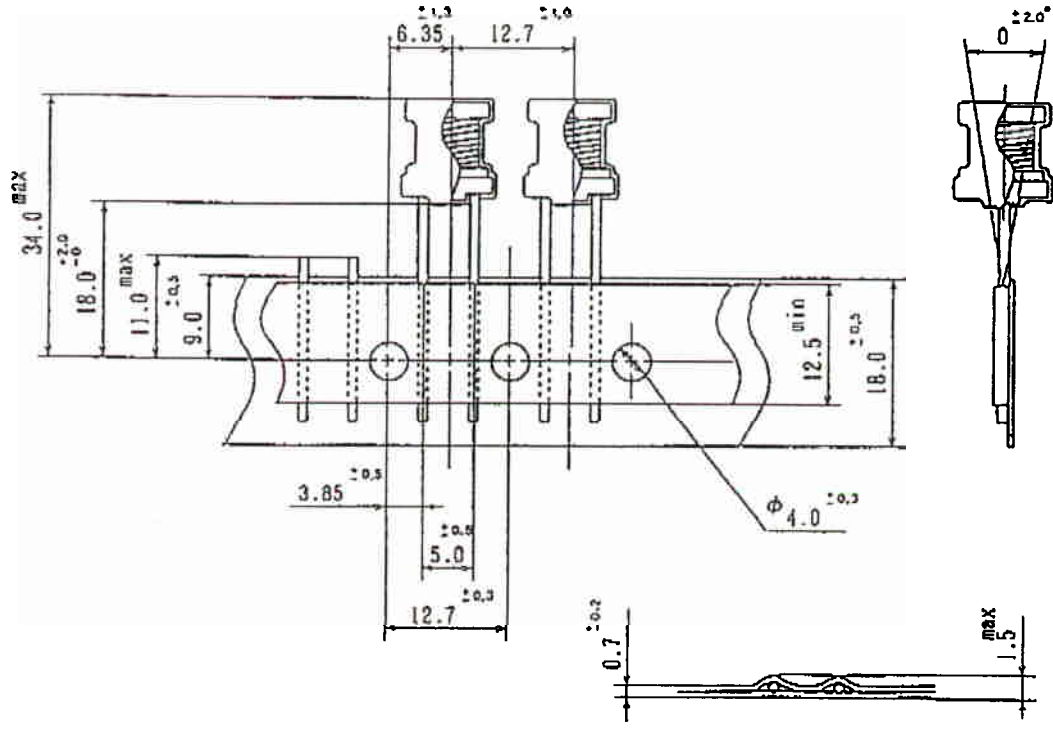
One copy with your signature is required as your confirmation to our Specifications.

(1) External & Taping dimensions

(1-1) Bulk product



(1-2) Taped product



(2) Electrical specifications

(2-1) Bulk product : 10RHB2

Customer's Part No.	TOKO Part No.	Inductance L (μ H)	DC Resistance (Ω) (max)	Rated DC Current (A) (max)	SRF (MHz) (min)
	824MYF-100K	10 \pm 10%	0.052	2.20	44.0
	824MYF-120K	12 \pm 10%	0.059	2.00	33.0
	824MYF-150K	15 \pm 10%	0.065	1.93	25.0
	824MYF-180K	18 \pm 10%	0.071	1.77	16.0
	824MYF-220K	22 \pm 10%	0.076	1.72	12.0
	824MYF-270K	27 \pm 10%	0.082	1.56	8.30
	824MYF-330K	33 \pm 10%	0.086	1.49	5.90
	824MYF-390K	39 \pm 10%	0.095	1.40	4.90
	824MYF-470K	47 \pm 10%	0.110	1.29	4.10
	824MYF-560K	56 \pm 10%	0.120	1.25	4.00
	824MYF-680K	68 \pm 10%	0.130	1.24	3.90
	824MYF-820K	82 \pm 10%	0.140	1.04	3.60
	824MYF-101K	100 \pm 10%	0.180	1.02	2.80
	824MYF-121K	120 \pm 10%	0.190	0.94	2.60
	824MYF-151K	150 \pm 10%	0.220	0.92	2.20
	824MYF-181K	180 \pm 10%	0.250	0.85	2.10
	824MYF-221K	220 \pm 10%	0.280	0.82	1.90
	824MYF-271K	270 \pm 10%	0.460	0.60	1.60
	824MYF-331K	330 \pm 10%	0.500	0.56	1.50
	824MYF-391K	390 \pm 10%	0.560	0.52	1.40
	824MYF-471K	470 \pm 10%	0.620	0.48	1.30
	824MYF-561K	560 \pm 10%	0.690	0.45	1.20
	824MYF-681K	680 \pm 10%	0.790	0.44	1.10
	824MYF-821K	820 \pm 10%	0.860	0.40	1.00
	824MYF-102K	1000 \pm 10%	1.600	0.31	0.87
	824MYF-122K	1200 \pm 10%	1.800	0.28	0.83
	824MYF-152K	1500 \pm 10%	2.100	0.27	0.77
	824MYF-182K	1800 \pm 10%	2.300	0.24	0.71
	824MYF-222K	2200 \pm 10%	2.600	0.24	0.66
	824MYF-272K	2700 \pm 10%	3.350	0.19	0.61
	824MYF-332K	3300 \pm 10%	4.000	0.18	0.52
	824MYF-392K	3900 \pm 10%	4.500	0.16	0.48

- 1) Inductance is measured at $f=1\text{kHz}$, $V_{osc}=1\text{V}$ on HP4284A or equivalent.
- 2) The rated DC current is that which causes a 10% inductance reduction from the initial value, or coil temperature to rise by 20°C , whichever is smaller. (Reference ambient temperature 20°C)
- 3) SRF is measured on Network Analyzer 3777A(HP), MS560J(Anritsu) or equivalent.
- 4) DC resistance is measured on Digital Multimeter TR6871(Advantest) or equivalent.

(2-2) Bulk product : 10RH82 (Covered with heat shrink tube)

Customer's Part No.	TOKO Part No.	Inductance L (μ H)	DC Resistance (Ω) (max)	Rated DC Current (A) (max)	SRF (MHz) (min)
	824MY-100K	10 \pm 10%	0.052	2.20	44.0
	824MY-120K	12 \pm 10%	0.059	2.00	33.0
	824MY-150K	15 \pm 10%	0.065	1.93	25.0
	824MY-180K	18 \pm 10%	0.071	1.77	16.0
	824MY-220K	22 \pm 10%	0.076	1.72	12.0
	824MY-270K	27 \pm 10%	0.082	1.56	8.30
	824MY-330K	33 \pm 10%	0.086	1.49	5.90
	824MY-390K	39 \pm 10%	0.095	1.40	4.90
	824MY-470K	47 \pm 10%	0.110	1.29	4.10
	824MY-560K	56 \pm 10%	0.120	1.25	4.00
	824MY-680K	68 \pm 10%	0.130	1.24	3.90
	824MY-820K	82 \pm 10%	0.140	1.04	3.60
	824MY-101K	100 \pm 10%	0.180	1.02	2.80
	824MY-121K	120 \pm 10%	0.190	0.94	2.60
	824MY-151K	150 \pm 10%	0.220	0.92	2.20
	824MY-181K	180 \pm 10%	0.250	0.85	2.10
	824MY-221K	220 \pm 10%	0.280	0.82	1.90
	824MY-271K	270 \pm 10%	0.460	0.60	1.60
	824MY-331K	330 \pm 10%	0.500	0.56	1.50
	824MY-391K	390 \pm 10%	0.560	0.52	1.40
	824MY-471K	470 \pm 10%	0.620	0.48	1.30
	824MY-561K	560 \pm 10%	0.690	0.45	1.20
	824MY-681K	680 \pm 10%	0.790	0.44	1.10
	824MY-821K	820 \pm 10%	0.860	0.40	1.00
	824MY-102K	1000 \pm 10%	1.600	0.31	0.87
	824MY-122K	1200 \pm 10%	1.800	0.28	0.83
	824MY-152K	1500 \pm 10%	2.100	0.27	0.77
	824MY-182K	1800 \pm 10%	2.300	0.24	0.71
	824MY-222K	2200 \pm 10%	2.600	0.24	0.66
	824MY-272K	2700 \pm 10%	3.350	0.19	0.61
	824MY-332K	3300 \pm 10%	4.000	0.18	0.52
	824MY-392K	3900 \pm 10%	4.500	0.16	0.48

- 1) Inductance is measured at $f=1\text{kHz}$, $V_{osc}=1\text{V}$ on HP4284A or equivalent.
- 2) The rated DC current is that which causes a 10% inductance reduction from the initial value, or coil temperature to rise by 20°C, whichever is smaller. (Reference ambient temperature 20°C)
- 3) SRF is measured on Network Analyzer 3777A(HP), MS560J(Anritsu) or equivalent.
- 4) DC resistance is measured on Digital Multimeter TR6871(Advantest) or equivalent.

(2-3) Taped product : 10RHT2

Customer's Part No.	TOKO Part No.	Inductance L (μ H)	DC Resistance (Ω) (max)	Rated DC Current (A) (max)	SRF (MHz) (min)
	A830MYF-100K=R	10 \pm 10%	0.052	2.20	44.0
	A830MYF-120K=R	12 \pm 10%	0.059	2.00	33.0
	A830MYF-150K=R	15 \pm 10%	0.065	1.93	25.0
	A830MYF-180K=R	18 \pm 10%	0.071	1.77	16.0
	A830MYF-220K=R	22 \pm 10%	0.076	1.72	12.0
	A830MYF-270K=R	27 \pm 10%	0.082	1.56	8.30
	A830MYF-330K=R	33 \pm 10%	0.086	1.49	5.90
	A830MYF-390K=R	39 \pm 10%	0.095	1.40	4.90
	A830MYF-470K=R	47 \pm 10%	0.110	1.29	4.10
	A830MYF-560K=R	56 \pm 10%	0.120	1.25	4.00
	A830MYF-680K=R	68 \pm 10%	0.130	1.24	3.90
	A830MYF-820K=R	82 \pm 10%	0.140	1.04	3.60
	A830MYF-101K=R	100 \pm 10%	0.180	1.02	2.80
	A830MYF-121K=R	120 \pm 10%	0.190	0.94	2.60
	A830MYF-151K=R	150 \pm 10%	0.220	0.92	2.20
	A830MYF-181K=R	180 \pm 10%	0.250	0.85	2.10
	A830MYF-221K=R	220 \pm 10%	0.280	0.82	1.90
	A830MYF-271K=R	270 \pm 10%	0.460	0.60	1.60
	A830MYF-331K=R	330 \pm 10%	0.500	0.56	1.50
	A830MYF-391K=R	390 \pm 10%	0.560	0.52	1.40
	A830MYF-471K=R	470 \pm 10%	0.620	0.48	1.30
	A830MYF-561K=R	560 \pm 10%	0.690	0.45	1.20
	A830MYF-681K=R	680 \pm 10%	0.790	0.44	1.10
	A830MYF-821K=R	820 \pm 10%	0.860	0.40	1.00
	A830MYF-102K=R	1000 \pm 10%	1.600	0.31	0.87
	A830MYF-122K=R	1200 \pm 10%	1.800	0.28	0.83
	A830MYF-152K=R	1500 \pm 10%	2.100	0.27	0.77
	A830MYF-182K=R	1800 \pm 10%	2.300	0.24	0.71
	A830MYF-222K=R	2200 \pm 10%	2.600	0.24	0.66
	A830MYF-272K=R	2700 \pm 10%	3.350	0.19	0.61
	A830MYF-332K=R	3300 \pm 10%	4.000	0.18	0.52
	A830MYF-392K=R	3900 \pm 10%	4.500	0.16	0.48

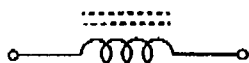
- 1) Inductance is measured at $f=1\text{kHz}$, $V_{osc}=1\text{V}$ on HP4284A or equivalent.
- 2) The rated DC current is that which causes a 10% inductance reduction from the initial value, or coil temperature to rise by 20°C, whichever is smaller. (Reference ambient temperature 20°C)
- 3) SRF is measured on Network Analyzer 3777A(HP), MS560J(Anritsu) or equivalent.
- 4) DC resistance is measured on Digital Multimeter TR6871(Advantest) or equivalent.

(2-4) Taped product : 10RHT2 (Covered with heat shrink tube)

Customer's Part No.	TOKO Part No.	Inductance L (μ H)	DC Resistance (Ω) (max)	Rated DC Current (A) (max)	SRF (MHz) (min)
	A830MY-100K=R	10 \pm 10%	0.052	2.20	44.0
	A830MY-120K=R	12 \pm 10%	0.059	2.00	33.0
	A830MY-150K=R	15 \pm 10%	0.065	1.93	25.0
	A830MY-180K=R	18 \pm 10%	0.071	1.77	16.0
	A830MY-220K=R	22 \pm 10%	0.076	1.72	12.0
	A830MY-270K=R	27 \pm 10%	0.082	1.56	8.30
	A830MY-330K=R	33 \pm 10%	0.086	1.49	5.90
	A830MY-390K=R	39 \pm 10%	0.095	1.40	4.90
	A830MY-470K=R	47 \pm 10%	0.110	1.29	4.10
	A830MY-560K=R	56 \pm 10%	0.120	1.25	4.00
	A830MY-680K=R	68 \pm 10%	0.130	1.24	3.90
	A830MY-820K=R	82 \pm 10%	0.140	1.04	3.60
	A830MY-101K=R	100 \pm 10%	0.180	1.02	2.80
	A830MY-121K=R	120 \pm 10%	0.190	0.94	2.60
	A830MY-151K=R	150 \pm 10%	0.220	0.92	2.20
	A830MY-181K=R	180 \pm 10%	0.250	0.85	2.10
	A830MY-221K=R	220 \pm 10%	0.280	0.82	1.90
	A830MY-271K=R	270 \pm 10%	0.460	0.60	1.60
	A830MY-331K=R	330 \pm 10%	0.500	0.56	1.50
	A830MY-391K=R	390 \pm 10%	0.560	0.52	1.40
	A830MY-471K=R	470 \pm 10%	0.620	0.48	1.30
	A830MY-561K=R	560 \pm 10%	0.690	0.45	1.20
	A830MY-681K=R	680 \pm 10%	0.790	0.44	1.10
	A830MY-821K=R	820 \pm 10%	0.860	0.40	1.00
	A830MY-102K=R	1000 \pm 10%	1.600	0.31	0.87
	A830MY-122K=R	1200 \pm 10%	1.800	0.28	0.83
	A830MY-152K=R	1500 \pm 10%	2.100	0.27	0.77
	A830MY-182K=R	1800 \pm 10%	2.300	0.24	0.71
	A830MY-222K=R	2200 \pm 10%	2.600	0.24	0.66
	A830MY-272K=R	2700 \pm 10%	3.350	0.19	0.61
	A830MY-332K=R	3300 \pm 10%	4.000	0.18	0.52
	A830MY-392K=R	3900 \pm 10%	4.500	0.16	0.48

- 1) Inductance is measured at $f=1\text{kHz}$, $V_{osc}=1\text{V}$ on HP4284A or equivalent.
- 2) The rated DC current is that which causes a 10% inductance reduction from the initial value, or coil temperature to rise by 20°C , whichever is smaller. (Reference ambient temperature 20°C)
- 3) SRF is measured on Network Analyzer 3777A(HP), MS560J(Anritsu) or equivalent.
- 4) DC resistance is measured on Digital Multimeter TR6871(Advantest) or equivalent.

[3] Schematic



[4] Note

- (4-1) Operating temperature range : $-20^\circ\text{C} \sim +80^\circ\text{C}$ (Including temperature rise)
- (4-2) Storage temperature range : $-40^\circ\text{C} \sim +80^\circ\text{C}$

(5) GENERAL SPECIFICATION (10RHB2 & 10RHT2)

Item	Specification	Conditions
1. Lead Terminal Strength.	There shall be no breakage or loosening of the lead terminals.	Terminals are subjected to a pulling and pushing force of 500g in a direction parallel to the lead terminals for 30±5 seconds.
2. Vibration Test.	Inductance : within ±1.0% Unloaded Q : within ± 20%	Samples shall be subjected to vibration of 1.5mm amplitude, frequency 10~55Hz (10Hz to 55Hz to 10Hz in a period of one minute) for 2 hours in each of three (X,Y,Z) axes.
3. Resistance to Soldering Heat.	There shall be no mechanical breakage and apparent change on the surface.	Samples fixed on a PCB with PCB thickness of 1.6mm, Dip the PCB into solder bath containing molten solder at 260±5°C for 5±1 seconds.
4. Solderability Test.	Solder covered surface shall be more than 75%.	Terminals shall be immersed for 5 to 10 seconds in flux at room temperature. Dip sample into solder bath containing molten solder at 235±5°C for 2±0.5 seconds.
5. Shock Test.	Inductance : within ±1.0% Unloaded Q : within ± 20%	Samples shall be subjected to shock force of 100G for 0.01 second 3 times in each of three (X,Y,Z) axes.
6. Humidity Test.	Inductance : within ±2.0% Unloaded Q : within ± 20%	Samples shall be subjected to 40±2°C and 90% to 95% relative humidity for 96±4 hours. Measure after 1 to 2 hour exposure at room temperature and humidity.
7. Dry Heat Test.	Inductance : within ±2.0% Unloaded Q : within ± 20%	Samples shall be subjected to 85±2°C for 96±4 hours. Measure after 1 to 2 hour exposure at room temperature and humidity.
8. Cold Test.	Inductance : within ±2.0% Unloaded Q : within ± 20%	Samples shall be subjected to -25±3°C for 96±4 hours. Measure after 1 to 2 hour exposure at room temperature and humidity.
9. Temperature Cycle Test	Inductance : within ±2.0% Unloaded Q : within ± 20%	Samples shall be subjected to 5 cycles of -25±3°C for 30 minutes, 25°C for 10 minutes, 85±2°C for 30 minutes and 25°C for 10 minutes. Measure after 1 to 2 hour exposure at room temperature and humidity.
10. Temperature Characteristics (Drift)	TC(L) : 600ppm/°C max	Samples shall be subjected to -10°C, 25°C, and 60°C. Characteristic changes are measured at -10°C, and 60°C in reference to 25°C initial value.

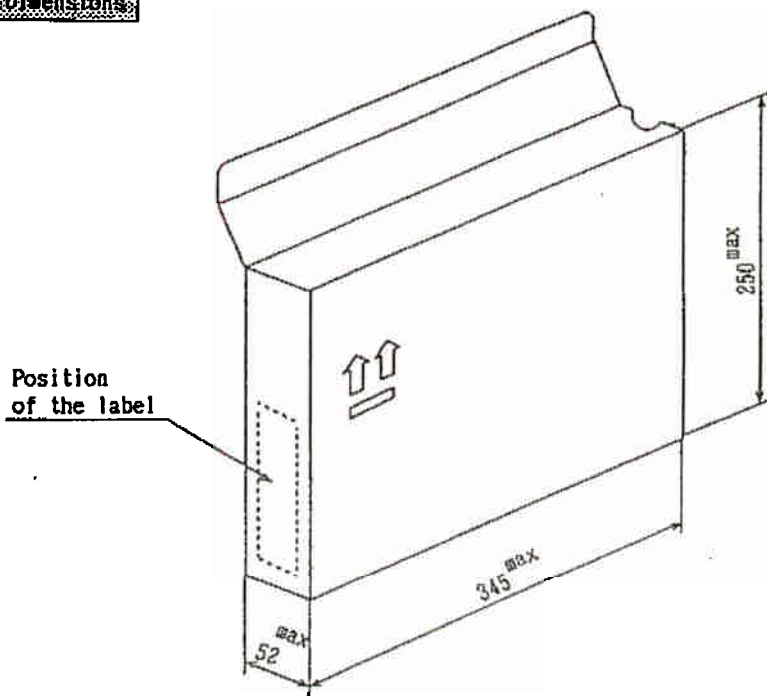
(6) Packing style

(6-1) Taped Product

Ammo packing is available, and standard packing quantities are 500 pieces.

Dimensions

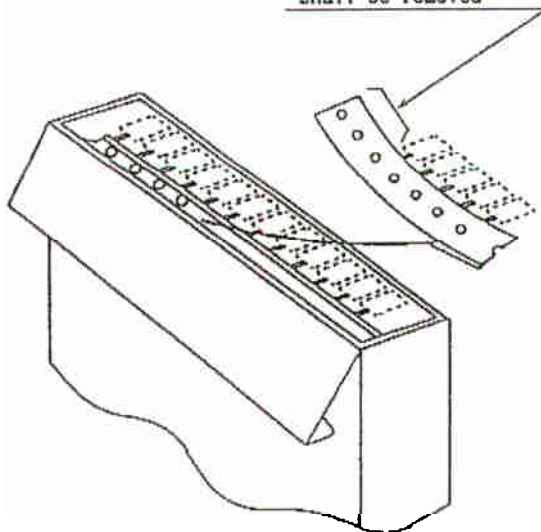
Unit : mm



Position of the label

Style

Three and more parts shall be removed



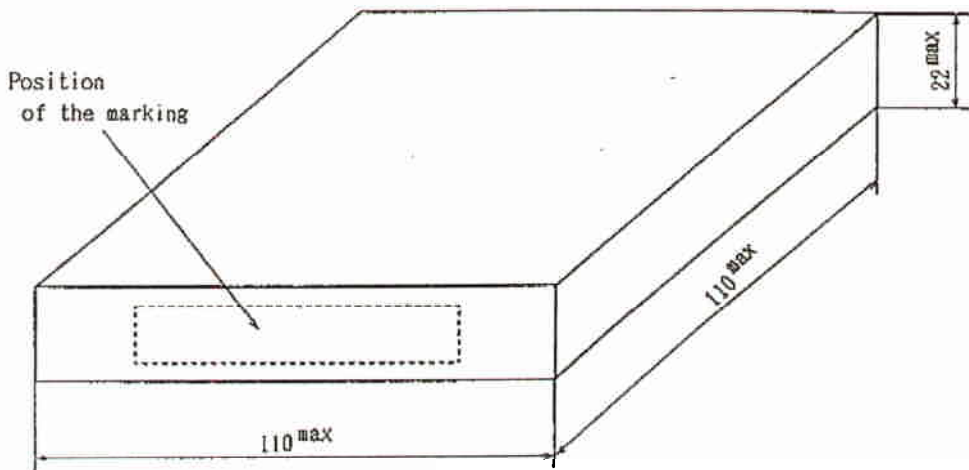
Note

- 1) Packing box material shall be kraft paper.
- 2) Standard packing quantities are 500 pcs.
- 3) Marking of packing label
Customer's part number
Quantity
Lot number
Toko type
- 4) Three and more components shall be removed at the beginning and end.

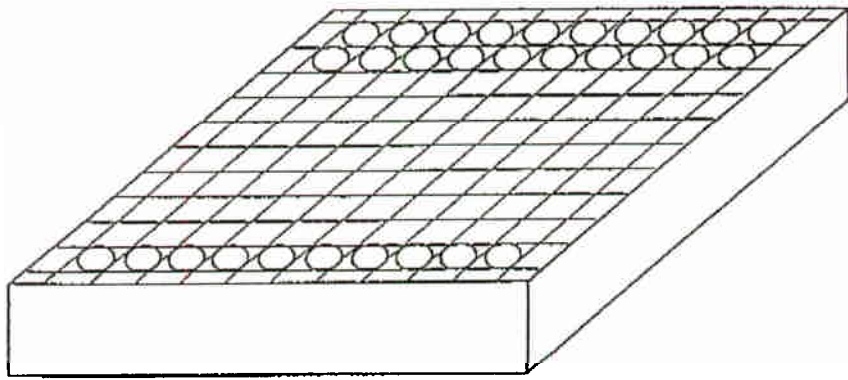
(6-2) Bulk Product

Dimensions

Unit : mm



Style



NOTE

- 1) Packing box material shall be kraft paper.
- 2) Standard packing quantities are 100 pcs.
- 3) Marking
 - Customer's part number
 - Quantity
 - Lot number