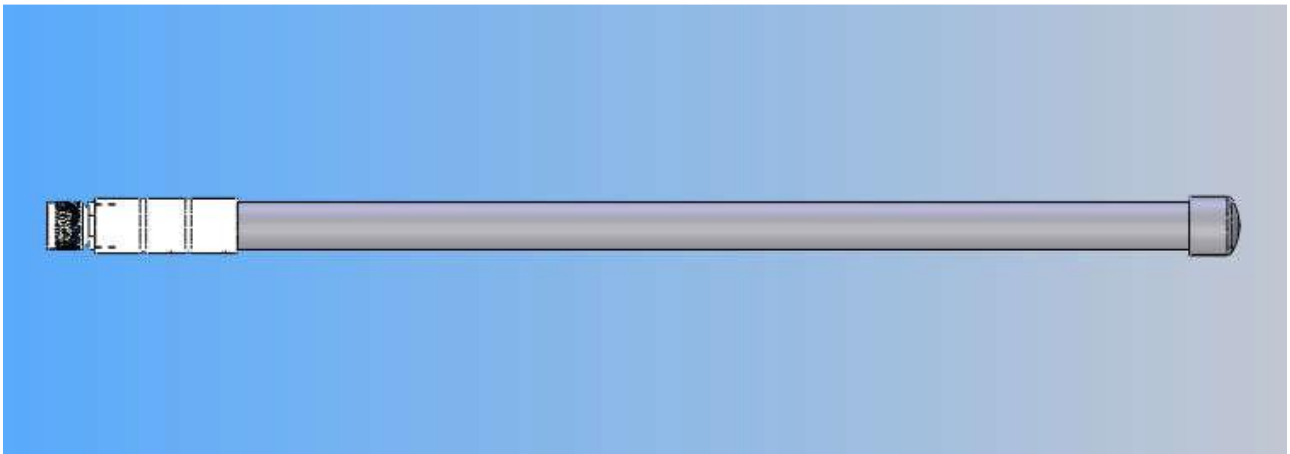


Technical Data Sheet

Model	T0007469
Description	A high gain omnidirectional antenna with vertical polarization and feed forward is proposed, which is mainly used in 860-930MHz frequency band.
Features	<ul style="list-style-type: none"> • Vertical polarization • Dipole radiation element



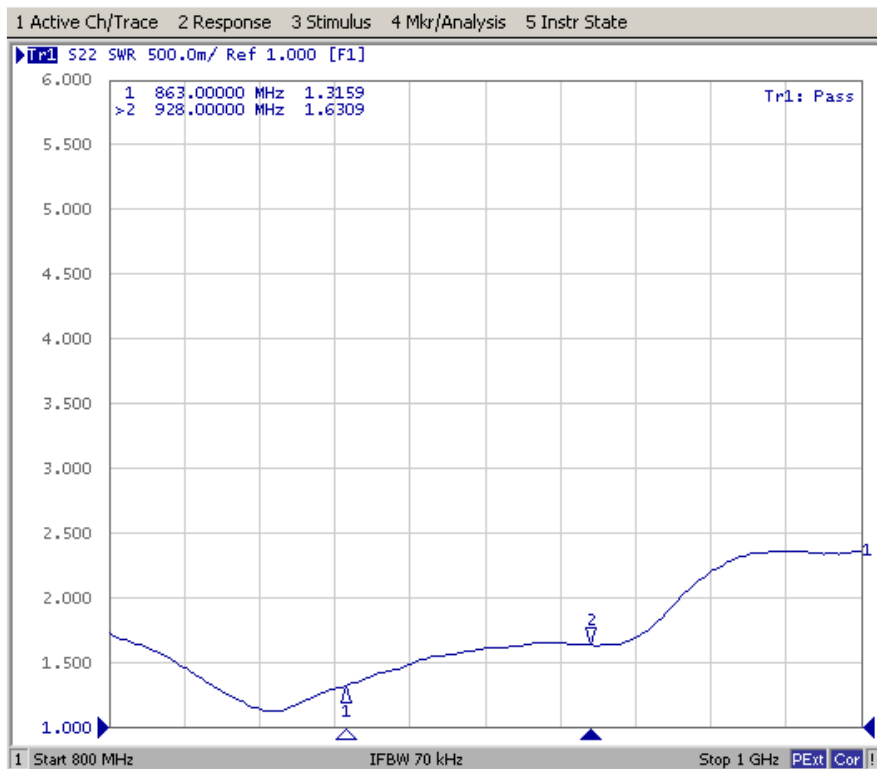
T0007469

Specifications

Frequency Range	860~870 / 900~930	
Bandwidth	10/30	
Polarization	Vertical	
Number of channels	1	
Gain	6.0	
HPBW	H-Plane	360
	E-Plane	20

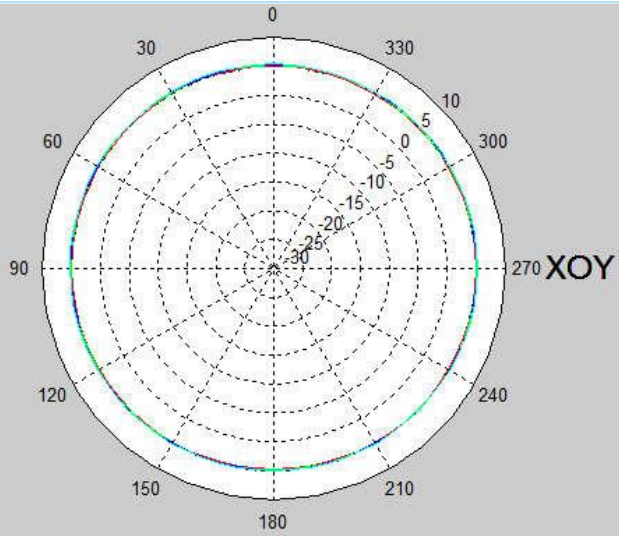
Non-Circularity	±0.5
Impedance	50
VSWR	≤1.80
Power	20
Size	Φ 24x800
Weight	≤0.5
Connector Type	N-J
Operating temperature	-40 to +70
Radome color	Gray
Wind rating (no ice)	130mph
Wind rating (½" radial ice:)	105mph
Tip deflection (100 mph, no ice)	<8°

VSWR

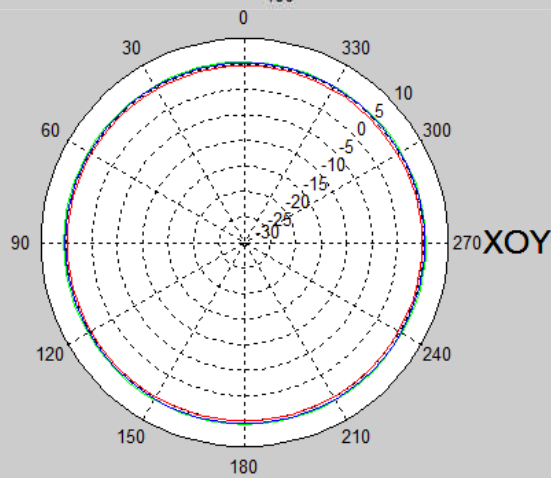


Radiation pattern

Freq: 860.0MHz
Freq: 863.0MHz
Freq: 865.0MHz
Freq: 870.0MHz

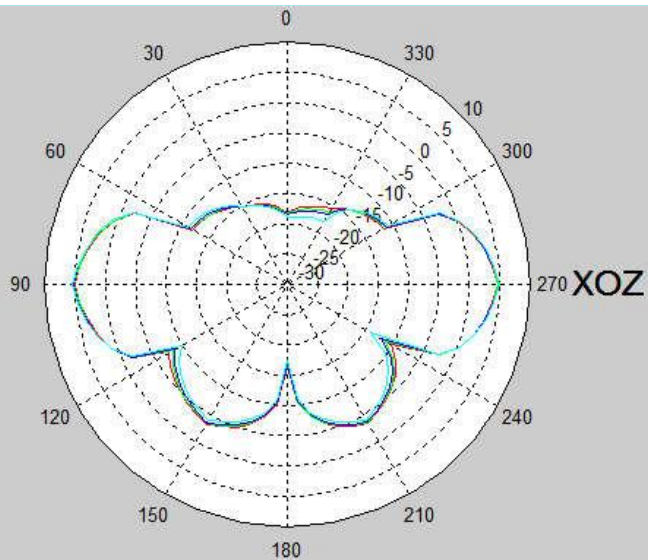


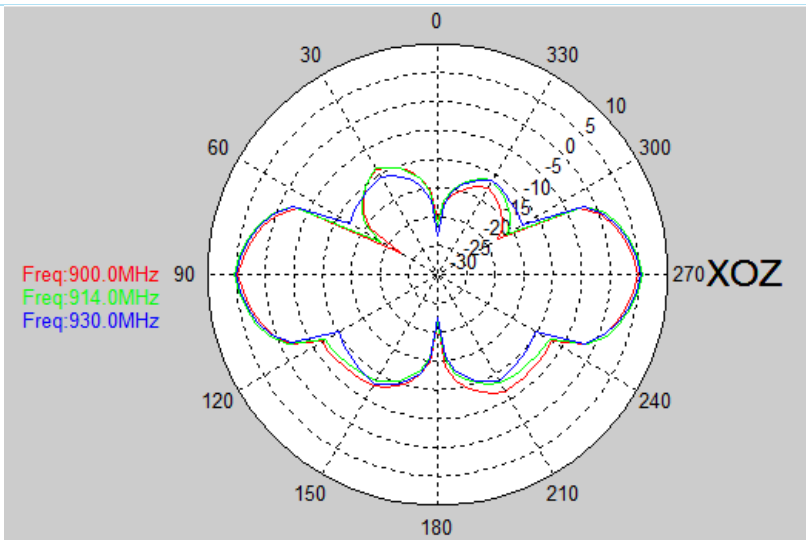
Freq: 900.0MHz
Freq: 914.0MHz
Freq: 930.0MHz



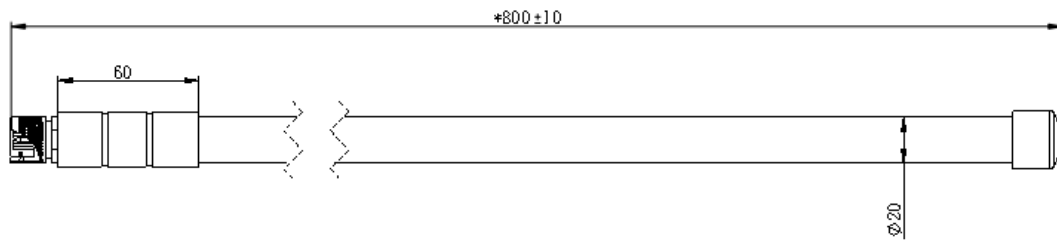
E-plane

Freq: 860.0MHz
Freq: 863.0MHz
Freq: 865.0MHz
Freq: 870.0MHz

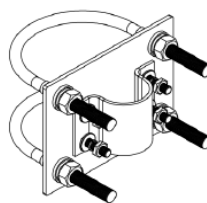
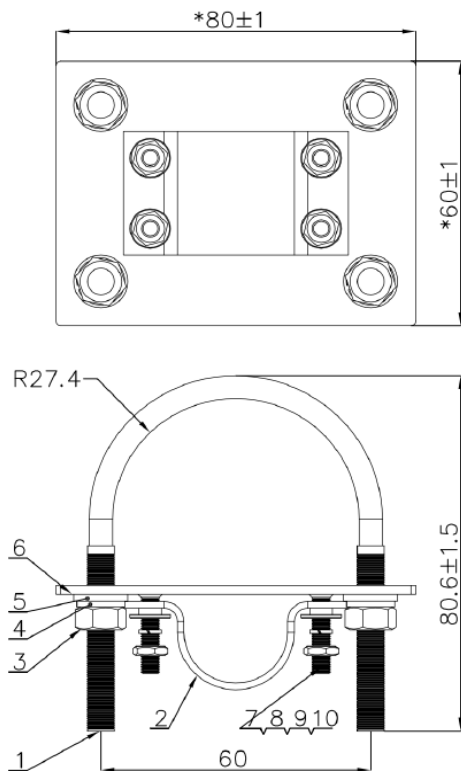




Dimension sketch



Accessories



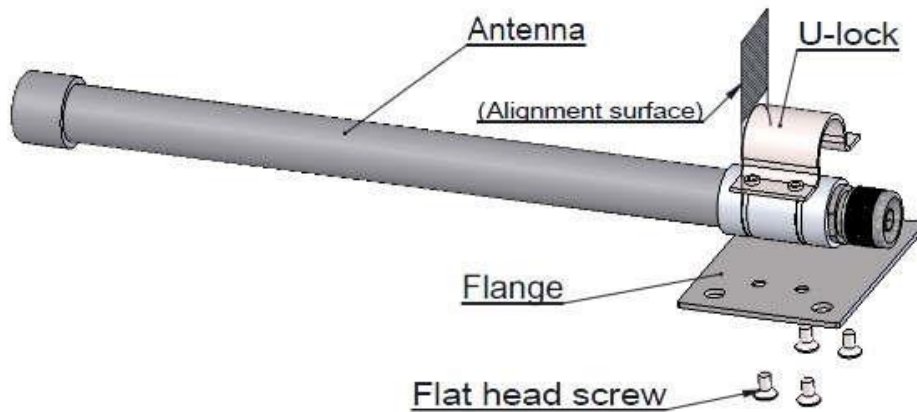
Product Preview

Technical requirements:

1. Package the incoming materials according to the packaging method shown in the figure;
Among them, Part 2 and Part 6 need to be pre connected with fasteners
2. The surface of the product shall be free from scratch, oil and other undesirable phenomena

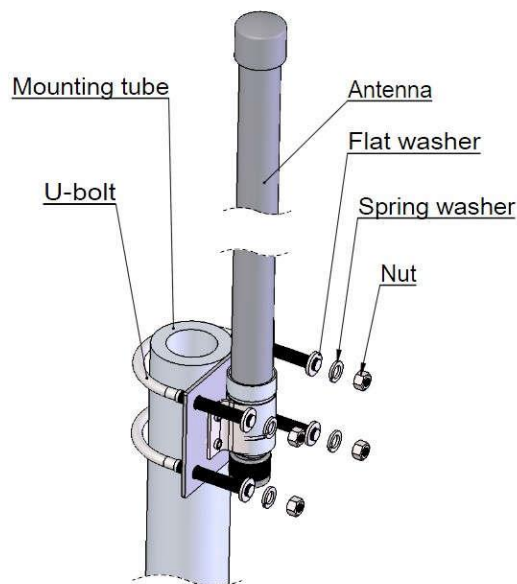
10	Nut	stainless steel, M4	4
9	Spring washer	stainless steel, Ø4	4
8	Flat washer	stainless steel, Ø8	4
7	Countersunk screw	stainless, M4*20	4
6	Derrick flange	carbon steel, 80*60*2	1
5	Flat washer	carbon steel, Ø8	4
4	Spring washer	carbon steel, Ø8	4
3	Nut	carbon steel, M8	4
2	U-code	carbon steel, 50*28*15	1
1	U-shaped screw	carbon steel, 67*80, M8	2
number	Specifications	Specification description	amount

Installation steps and precautions



Step 1.

Attach the U-lock to the antenna metal base and make sure the top edge of the U-lock is flush with the top edge of the groove on the base. Then secure the U-lock with the antenna to the flange with 4 M4 flat head screws, flat washers, spring washers and nuts.



Step2.

Insert 2 U-bolt through the corresponding mounting holes on the flange and lock them to the mounting tube with $\varnothing 8$ flat washes, spring washers and nuts, finally complete the installation of the above antenna. By the way, outer diameter of the mounting tube is from 25 to 50mm, and it needs to be provided by customers.

California Proposition 65

