

TW5343

TW5343 Multi-Constellation Timing Smart Antenna

Overview

The TW5343 is a multi-constellation GNSS Smart Antenna which provides simultaneous GPS/GLONASS/SBAS reception. It is designed for use in professional grade applications such as precision timing, network synchronization, and tracking/positioning applications.

The TW5343 GNSS Smart Antenna uses the state-of-the-art ST STA8088 receiver which provides 32 high sensitivity tracking channels plus 2 fast acquisition channels which can be assigned to acquire and track GPS, GLONASS, QZSS, and SBAS (WAAS, EGNOS, MSAS) signals simultaneously.

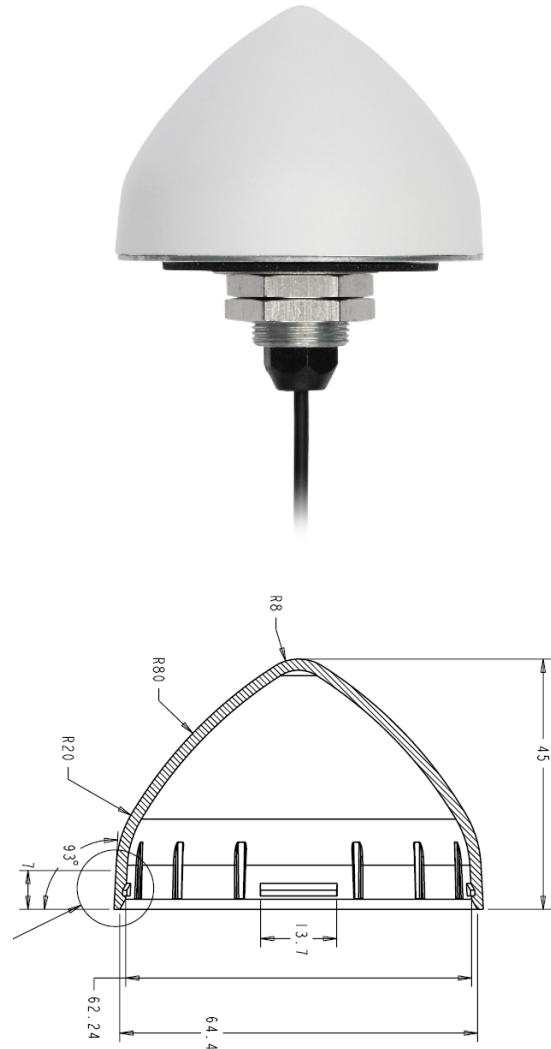
The TW5343 employs Tallysman's Accutenna™ dual feed antenna patch technology which greatly improves rejection of multi-path signal interference, across the whole GNSS band, making the TW5343 the most precise single frequency smart antenna in its size across all operating environments.

The TW5343 accelerates GPS positioning by predicting satellite ephemeris data based on previous observations, resulting in extremely fast Time-To-First-Fix.

The TW5343 can be configured to output up to three NMEA 0183 message lists with navigation update rates up to 10Hz. RS232, and CMOS interfaces are available with input voltage options of 3,3V, 5.0V and 12V to 36V with over voltage protection.

The NMEA serial data output and the standard one pulse-per-second (1PPS) synchronized to UTC time are output via differential RS422 transceivers.

Tallysman's Windows™ based Configurator enables simple configuration of parameters such as baud rates, output message rates, constellation, tracking parameters, 1PPS configuration and Standby mode parameters.



Features

- Multi-Constellation Receiver/Antenna
- 32 Channel simultaneous operation
- High performance tracking (-162 dBm)
- WAAS, EGNOS, & MSAS enabled
- 3 NMEA 0183 output Lists
- Navigation rates 1 to 10 Hz
- 1 PPS & NMEA configurable RS422 outputs
- Low Current Standby Mode
- Accutenna™ Technology
- Excellent multi-path signal rejection
- Industrial grade IP69K enclosure
- RoHS, REACH and RED Compliant. CE Marking
- Conical or low profile radome options

TW5343 Multi-Constellation Timing Smart Antenna

Specifications

Antenna	Environmental
ArchitectureDual Feed	Operating Temperature.....-40°C to +85°C
Axial Ratio< 1 dB typical.	Storage Temperature.....-45°C to +85°C
Frequencies.....GPS / GLONASS / QZSS	WeatherproofIP69K
SBASWAAS, EGNOS, MSAS	Shock.....Vertical axis 50G, other axis 30G 3 axis sweep – 15 min 10-200 Hz log sweep 3G
Channels.....32 simultaneous plus 2 fast acquisition	Vibration.....EN 55022
Navigation Accuracy	Emissions.....EN 61000-4-3, EN 61000-4-4, EN
GPS+GLONASS1.5m (50% CEP)	Immunity61000-4-6
Interface	Sensitivity
Outputs.....Differential RS422, CMOS	Acquisition.....-146 dBm
1 PPS Output.....Differential RS422. +/-50 ns Accuracy 16Kv protection RS422 lines	Tracking-162 dBm
Mechanical	Time to First Fix
Dimensions66.5 mm dia x 21 mm H	Cold start35 sec
Weight.....135 g	Warm start30 sec
Mounting Method19 mm dia. (3/4") thru-hole or mast-mount	Hot start<2 sec
Cable Length......5m (15m & 25m special order)	Reacquisition<1 sec
ConnectorRJ45	Serial Protocol
EnclosureIndustrial grade fixed mount weatherproof IP67	Output.....NMEA 0183
Electrical	Baud Rate.....300 to 921,600 bps, 115200 (default)
Voltages12 V to 36V (9V min) 3.3V, 5V (+/- 0.5V) options	Update Rate.....Configurable up to 10Hz NMEA Message Configurable
Current120 mA during acquisition 80 mA operating Standby mode < 1mA	Wires
	Power, Gnd, Rx, Differential TX-A, Differential TX-B Differential 1 PPS-A, Differential 1 PPS-B

Ordering Information:

33-5343-x-yy-zz GPS/GLONASS /QZSS Smart Antenna,

TW5343 SDK Test Adaptor required for programming

33-0095-0

Please refer to the Ordering Guide for the current and complete list of available products.



TALLYMATICS®

The **connection** of things.™

Tallymatics manufactures high performance, telematics products and solutions for a wide range of applications. With support for both RF wireless and data networks, Tallymatics enables high-resolution location awareness of mobile field assets across any type of wireless network. Tallymatics is a division of Tallysman.

© 2019 Tallymatics Inc. All rights reserved. Tallymatics, "The connection of things" tag line and the Tallymatics logo are trademarks or registered trademarks of Tallymatics Inc. and/or its affiliates in Canada and certain other countries. All other trademarks mentioned in this document are the property of their respective owners. The information presented is subject to change without notice. Tallysman assumes no responsibility for any errors or omissions in this document. Tallymatics is a division of Tallysman Inc. Tallymatics hereby disclaims any or all warranties and liabilities of any kind.

Contact us:
info@tallymatics.com
T: +1 613 591-3131

Tallymatics Inc.
36 Steacie Drive,
Ottawa ON
K2K 2A9 Canada

www.tallymatics.com