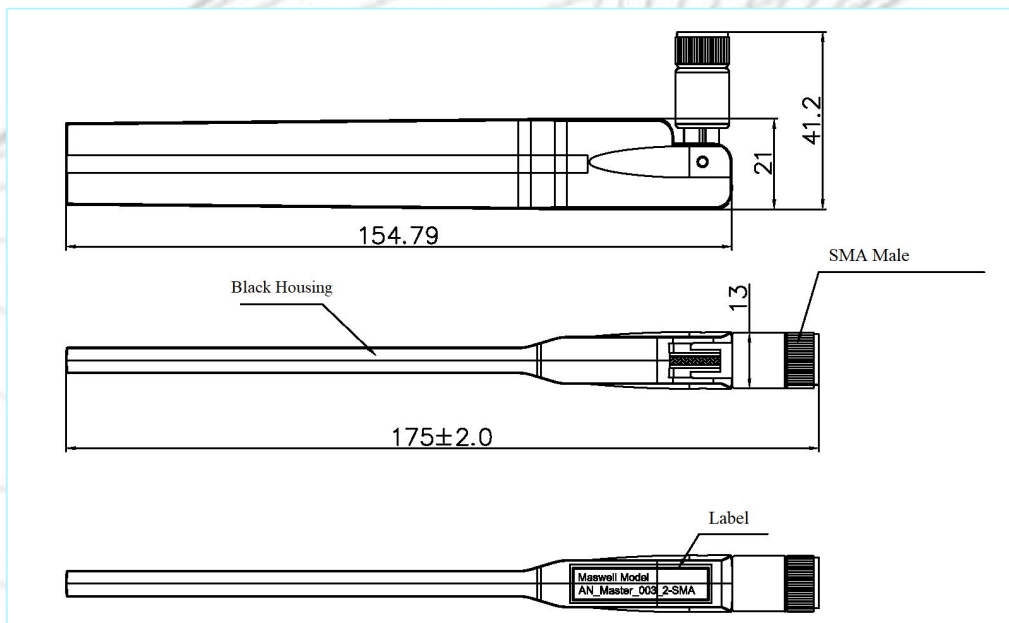


Maswell Monopole 5G Rubber Rod Antenna

AN_Master_003_2-SMA



Mechanical Dimension



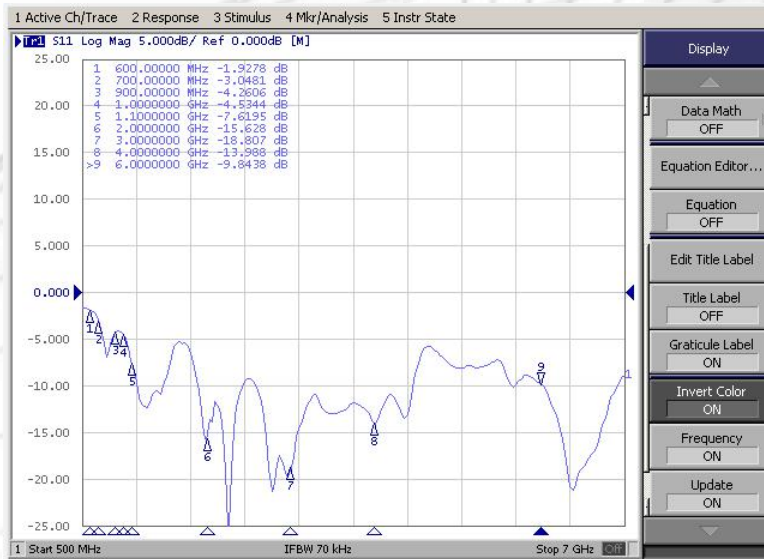
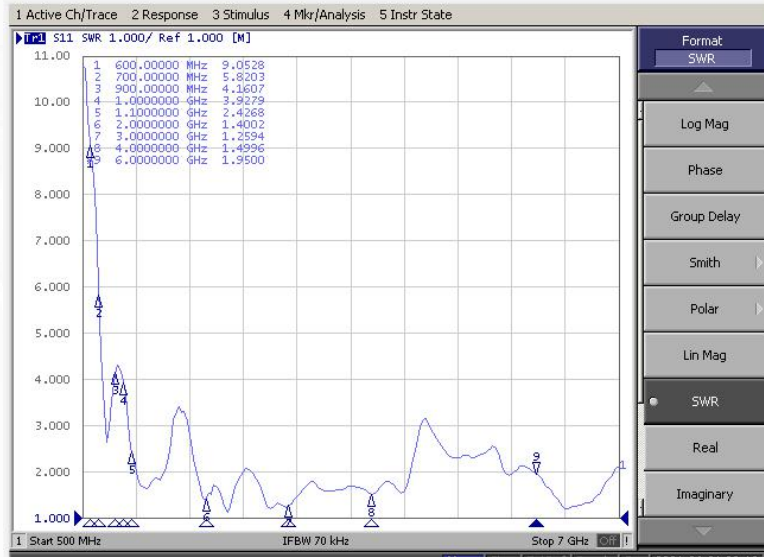
Maswell Monopole 5G Rubber Rod Antenna

Specifications

Item	Specifications	
Antenna	Center Frequency	600~6000MHz
	Polarization	Linear
	Gain	3dBi typ.
	V.S.W.R	<3.0
	Impedance	50Ω
	Connector	SMA
Environmental	Operating Temperature	-40°C~+85°C
	Vibration	10 to 55Hz with 1.5mm amplitude 2hours
	Environmentally Friendly	ROHS Compliant

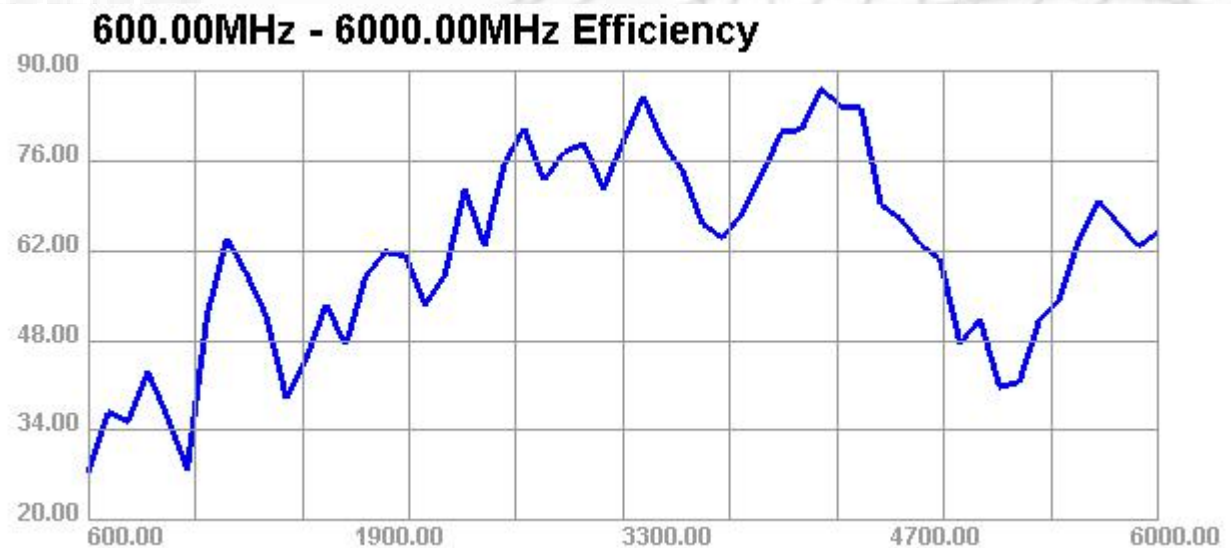
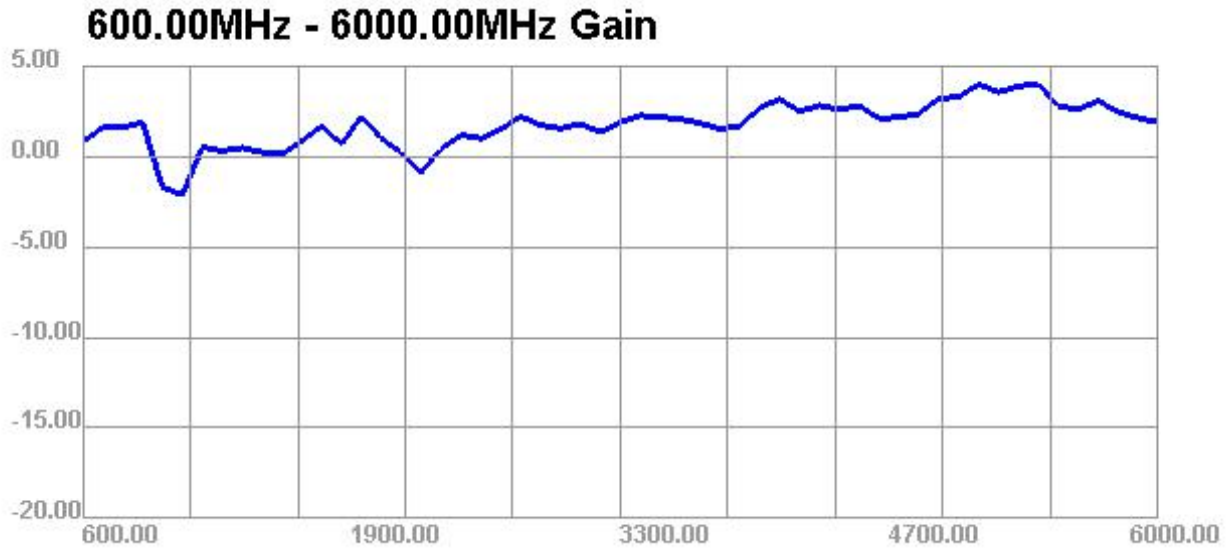
Maswell Monopole 5G Rubber Rod Antenna

Return Loss & V. S. W. R



Maswell Monopole 5G Rubber Rod Antenna

Gain & Efficiency



Maswell Monopole 5G Rubber Rod Antenna

Measured Data

Freq (MHz)	Effi (%)	Gain (dBi)
600	27.89	0.52
700	30.94	1.64
800	28.46	2.21
900	36.91	1.76
1000	30.47	-1.08
1100	27.33	-2.89
1200	36.69	-0.51
1300	35.74	-0.72
1400	56.39	0.34
1500	51.94	1.02
1600	34.82	-0.36
1700	44.33	0.77
1800	50.39	0.93
1900	58.8	2.04
2000	57.53	1.61
2100	52.68	1.52
2200	65.47	0.42
2300	48.48	-0.34
2400	46.55	-0.58
2500	71.8	1.08
2600	65.71	0.52
2700	69.08	1.57
2800	80.42	2.09
2900	69.7	1.51
3000	70.92	1.8
3100	73.75	2.17
3200	67.77	1.53

Freq (MHz)	Effi (%)	Gain (dBi)
3300	79.17	2.68
3400	81.8	2.6
3500	75.46	2.32
3600	73.35	3
3700	61.06	2.36
3800	60.69	1.92
3900	69.39	2.17
4000	71.42	2.75
4100	74.93	3.17
4200	72.86	2.68
4300	79.7	2.86
4400	70.53	2.52
4500	76.34	3.02
4600	75.73	2.86
4700	75.79	2.93
4800	68.53	2.94
4900	61.16	3.23
5000	54.47	3.23
5100	61.38	4.19
5200	50.95	2.98
5300	51.68	3.07
5400	59.88	2.65
5500	60.8	2.74
5600	67.7	3.55
5700	71.78	3.78
5800	71.29	3.42
5900	69.5	2.98
6000	58.67	2.04