

| | | | | | | | |
|----------|---------|------------------|---------------------------|------------------|--|--|--|
| Approved | Checked | Designed | DEVELOPMENT SPECIFICATION | | | | |
| | | <i>K. Oshino</i> | | P/N: LN1871Y5TRP | | | |

| | | | | | | |
|--------------------------------|----------------------------------|-------------------|------------------|----------------|---------|----------|
| T Y P E | Soft Orange Light Emitting Diode | | | | | |
| APPLICATION | Indicators | | | | | |
| MATERIAL | GaAsP | | | | | |
| OUTLINE | Attached | | | | | |
| ABSOLUTE MAXIMUM RATINGS | P | ※ I _{FP} | I _{FDC} | V _R | Topr | Tstg |
| | 60 | 60 | 20 | 3 | -25~+85 | -30~+100 |
| | mW | mA | mA | V | °C | °C |
| CONDITION | T _a = 25 ± 3 °C | | | | | |

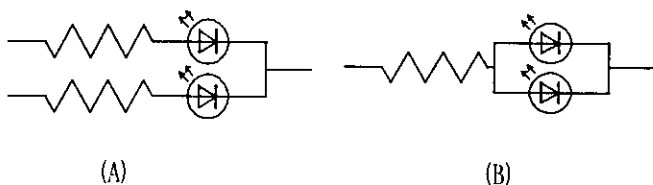
Test Specification

| Item | Symbol | Condition | Typ | Limit | | Unit |
|--------------------------|----------------|-----------------------------|------|-------|-----|------|
| | | | | Min | Max | |
| Forward Voltage | V _F | I _F = 10 mA | 1.93 | | 2.6 | V |
| Reverse Leakage Current | I _R | V _R = 3 V | | | 10 | μA |
| Luminous Intensity | I _O | I _F = 10 mA · DC | 0.8 | 0.3 | | mcd |
| Peak Emission Wavelength | λ _p | I _F = 10 mA · DC | 610 | | | nm |
| Spectral Line Half Width | Δλ | I _F = 10 mA · DC | 40 | | | nm |

- ※ · The Condition of I_{FP} is duty 10 %, Pulse width 1 ms
- Please contact the Panasonic local office if you design at low current (below 1mA DC) or pulse current operation and have any questions.

NOTE

1. Compositions of the lead ... Cu/Ni/Au plating
2. Soldering conditions.
Refer to Handling note.
3. Care should be taken that soldering is done within 3-days after opening the dry package and reel.
4. Package: Light yellow diffusion type.
5. Circuit to operate LED.

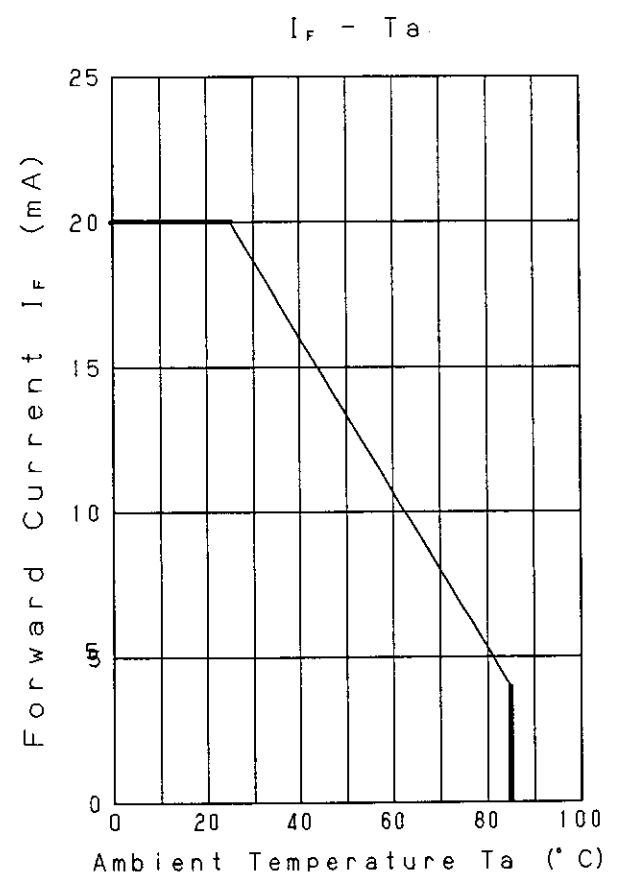
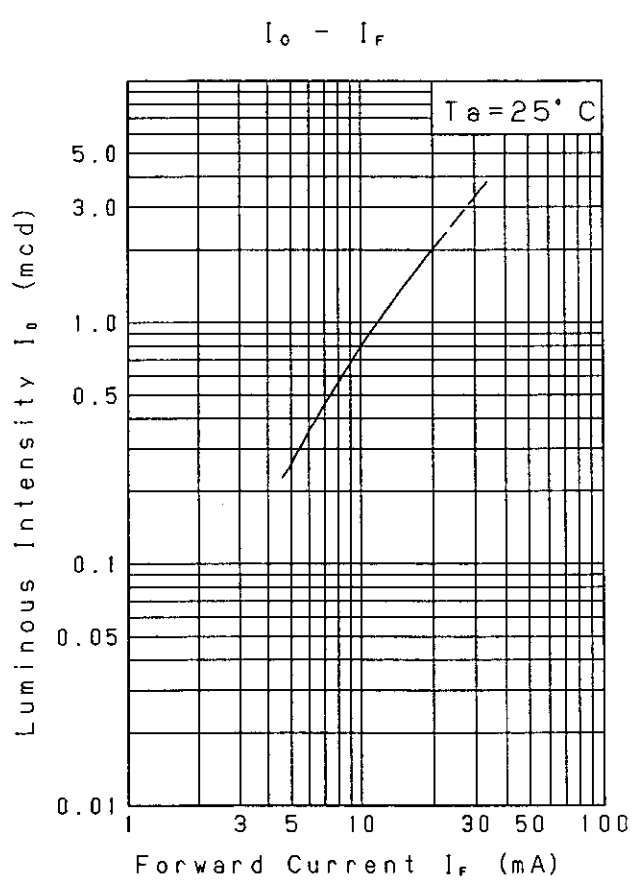
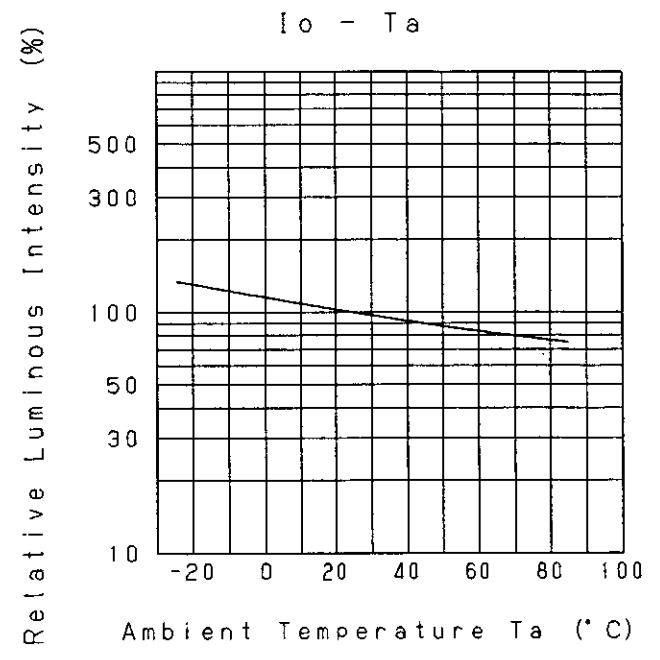
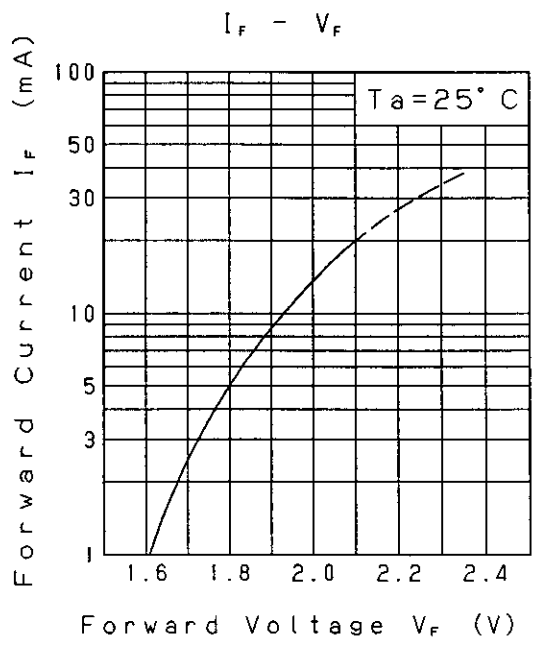


- (A) Recommended circuit.
- (B) The difference of brightness between the LED could be found due to the V_F characteristics of each LED.

| | | | |
|---------------|--|--|--|
| Oct. 27. 2001 | | | |
| | | | |

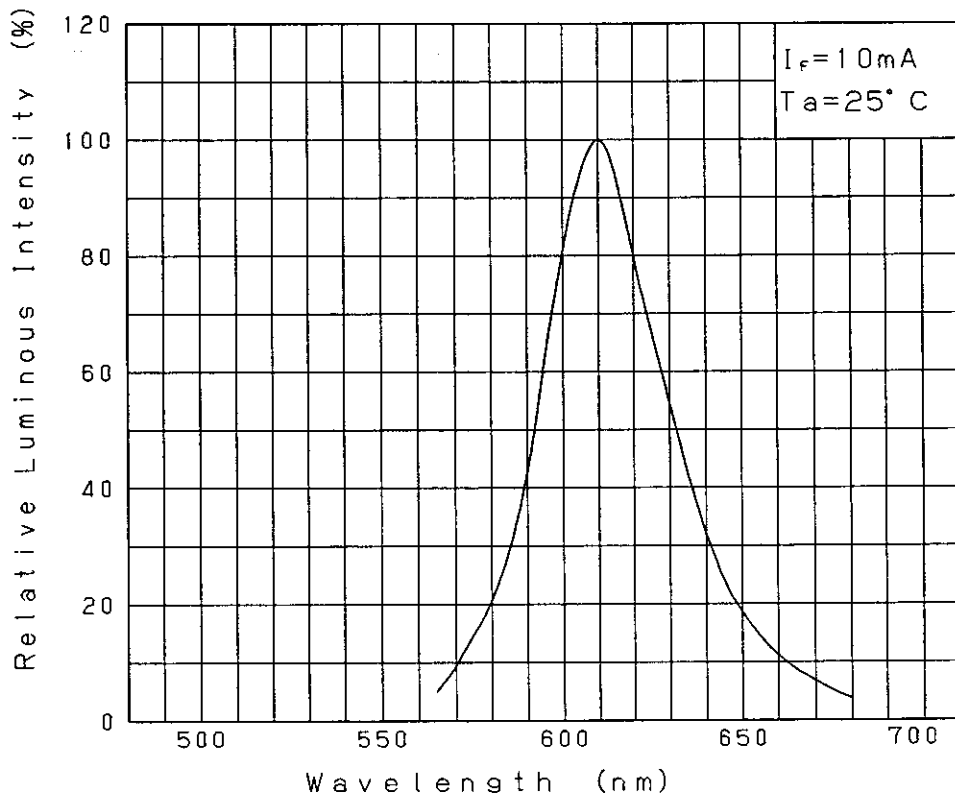
K. Ozawa

P/N: LN1871Y5TRP

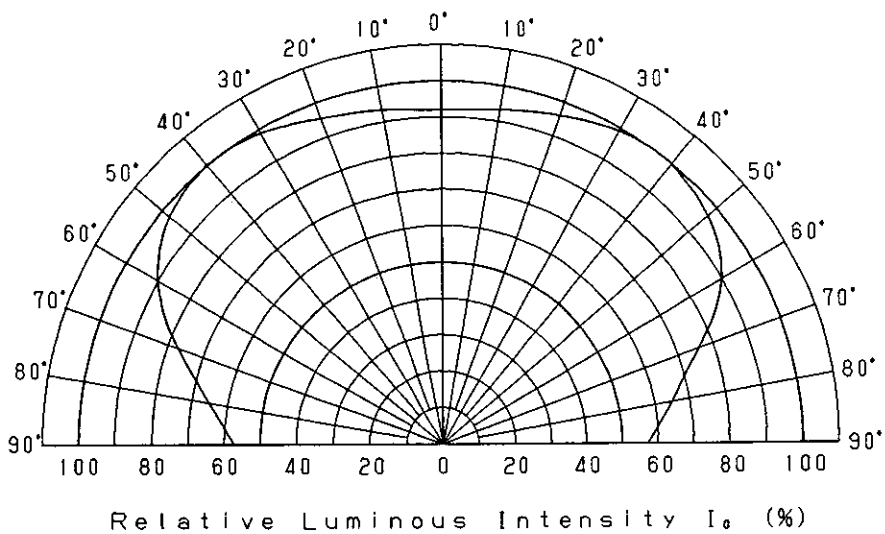


Oct. 27. 2001

Relative Luminous Intensity
Wavelength Characteristics



Directive Characteristics



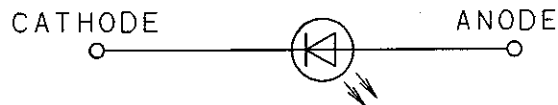
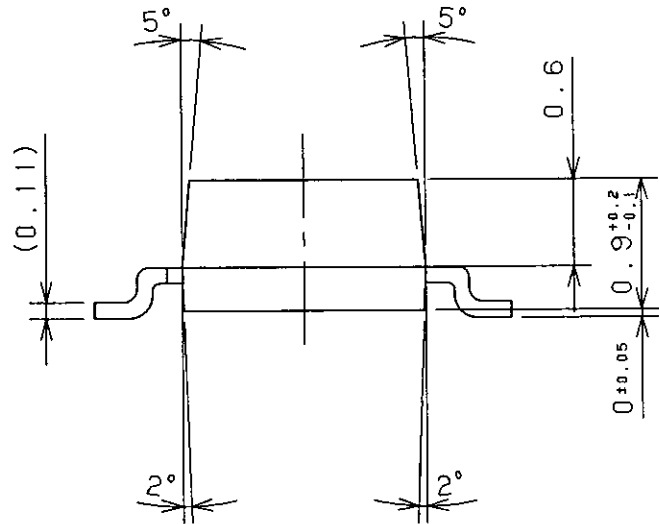
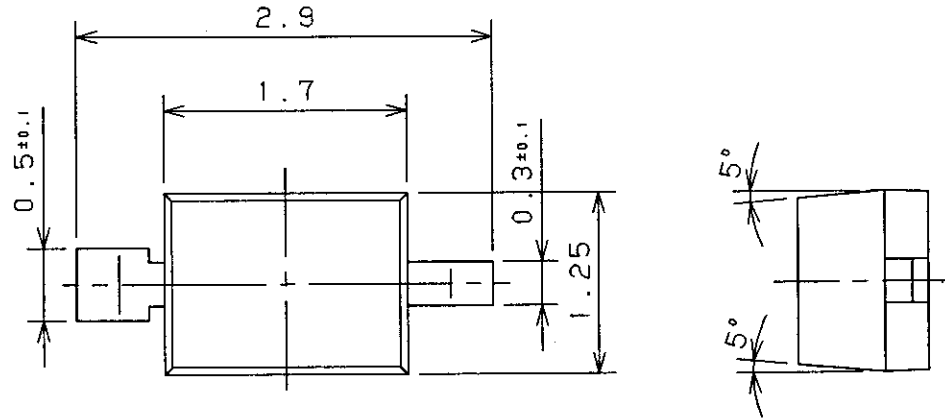
Oct. 27. 2001

| | | |
|----------|---------|-------------------|
| Approved | Checked | Designed |
| | | <i>K. Ohtsuka</i> |

DEVELOPMENT SPECIFICATION
(OUTLINE)

P/N: LN1871Y5TRP

| | | |
|--|--|--|
| | | |
|--|--|--|



- (NOTE)
1. Unit: mm
 2. Tolerance unless specified is ± 0.2 .
 3. Measurement of the Package doesn't include gage projection.
 4. Corner of the package is R 0.2max.
 5. Projection's tolerance of the package is R 0.2max.

Oct. 27. 2001