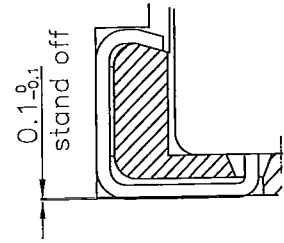
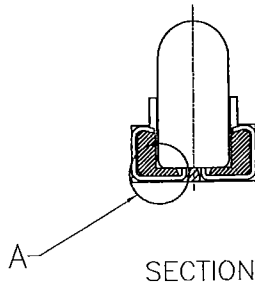
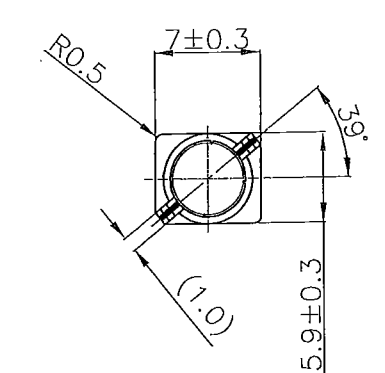
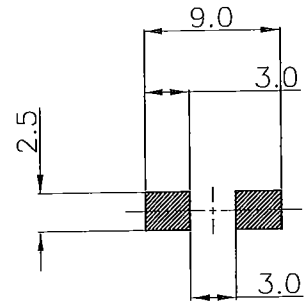
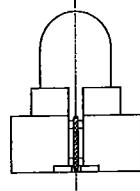
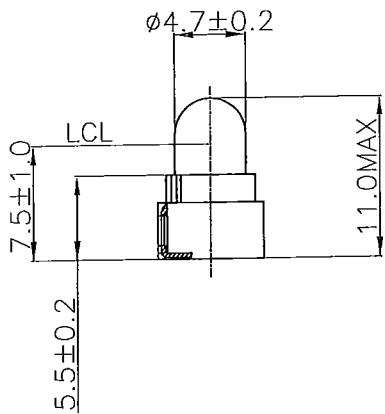


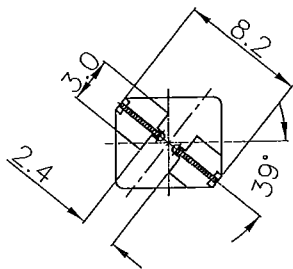
D.W.G. 806167	REV.	REVISIONS			
		LET	DESCRIPTION	BY	DATE



Detail-A




RECOMMENDED PATTERN
SOLDER PATTERNS



P/No.	OL-6701SMC/V-806167
Design Volt	14V
Design Amp	130mA±10%
Light Output	0.65MSCP±25%
Filament Shape	C-2F
Base Color	IVORY

- NOTE
1. BASE MATERIAL PPS
 2. LAMP LEAD DIA 0.3 (TIN PLATED)
 3. TOLERANCE ON : ONE PLACE DECIMALS ±0.3
TWO PLACE DECIMALS ±0.15



SCALE 4/1	UNIT m.m	MATERIAL	
TITLE T-11/2 SMC/V LAMP	DATE 150501	 Oshino Lamps Limited SHINAGAWA, TOKYO, JAPAN	
DRAWN 7. Hama	CHECKED T. Yoshi	APPROVED G. Imoto	D.W.G. NO. 806167 REV.