




**SPECIFICATION SHEET**

<b>SPECIFICATION SHEET NO.</b>	N0310-SOD123F1H8S0U8
<b>DATE</b>	Mar. 10, 2021
<b>REVISION</b>	A0
<b>DESCRIPTION</b>	<p>SMD High Efficiency Rectifier, 2 Pads, SOD-123FL series, SOD1H8 Type</p> <p>Reverse Voltage 1000V Max. Forward Current 1.0A Max.</p> <p>Operating Temp. Range -50°C ~+150°C</p> <p>Package in Tape/Reel, 3000pcs/Reel</p> <p>RoHS/RoHS III compliant</p>
<b>CUSTOMER</b>	
<b>CUSTOMER PART NUMBER</b>	
<b>CROSS REF. PART NUMBER</b>	
<b>ORIGINAL PART NUMBER</b>	MDD SOD1H8
<b>PART CODE</b>	SOD123F1H8S0U8

<b>VENDOR APPROVE</b>			
Issued/Checked/Approved			
DATE: March 10, 2021			

<b>CUSTOMER APPROVE</b>	
DATE:	

**SMD HIGH EFFICIENCY RECTIFIER SOD-123FL SERIES**



**MAIN FEATURE**

- Low reverse leakage
- Metallurgically bonded construction
- Glass passivated device
- High temperature soldering guaranteed: 250°C/ 10 seconds, 0.375”(9.5mm) lead length  
5 lbs. (2.3kg) tension

**APPLICATION**

- For printed circuit board

**PART CODE GUIDE**

**RFQ**

[Request For Quotation](#)

SOD123F	1H8	S	0U8
1	2	3	4

- 1) **SOD123F**: SMD High Efficiency Rectifier, 2 Pads, SOD-123FL series,
- 2) **1H8**: Type code for original part number SOD1H8
- 3) **S**: Package code, Tape/reel, 3000pcs/reel.
- 4) **0U8**: Marking code for “U8” on the case surface, Different Marking for different specification.

**MORE ITEMS AVAILABLE**

SOD123F1H1S0U1	SOD123F1H2S0U2	SOD123F1H3S0U3	SOD123F1H4S0U4	SOD123F1H5S0U5
SOD123F1H6S0U6	SOD123F1H7S0U7	<b>SOD123F1H8S0U8</b>		
SOD123F2AWS0W1	SOD123F2BWS0W2	SOD123F2DWS0W3	SOD123F2EWS0W4	SOD123F2GWS0W5
SOD123F2JWS0W6	SOD123F2KWS0W7	SOD123F2MWS0W8		

**SMD HIGH EFFICIENCY RECTIFIER SOD-123FL SERIES**

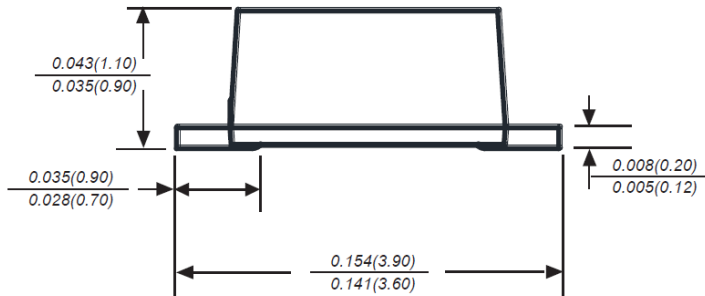
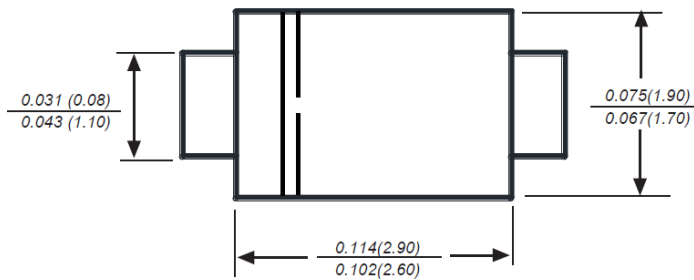
**DIMENSION (Unit: Inch/mm)**

Image for reference

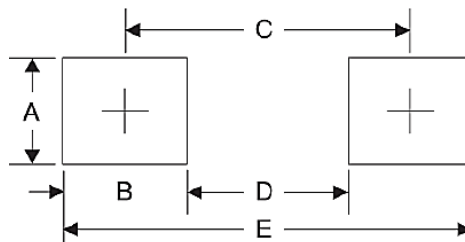


Marking: U8

SOD-123FL



Recommend Pad Layout



Symbol	Unit (Inch)	Unit (mm)
A	0.047	1.20
B	0.047	1.20
C	0.126	3.20
D	0.079	2.00
E	0.173	4.40

**SMD HIGH EFFICIENCY RECTIFIER SOD-123FL SERIES**
**MECHANICAL DATA**

Case	Terminals	Polarity	Mounting Position	Weight per piece
JEDEC SOD-123FL molded plastic body	Solder plated, Solderable per MIL-STD-750, Method 2026	Polarity symbol marking on case	Any	0.0007 Ounce, 0.0198 grams

**MAX. RATING & CHARACTERISTICS**

Parameter	SYMBOLS	VALUE			UNITS
		Min.	Typical	Max.	
Repetitive peak reverse voltage	V <sub>RRM</sub>			1000	Volts
RMS voltage	V <sub>RMS</sub>			700	Volts
DC blocking voltage	V <sub>DC</sub>			1000	Volts
Average forward output rectified current at TL= 65°C	I <sub>AV</sub>			1.0	A
Peak forward surge current 8.3ms single half sine-wave superimposed on rated load (JEDEC Method)	I <sub>FSM</sub>		25		A
Instantaneous forward voltage at 1.0A	V <sub>F</sub>			1.70	Volts
DC reverse current at rated DC blocking voltage	I <sub>R</sub>			5	μA
				100	μA
Reverse recovery time (NOTE 2)	T <sub>rr</sub>			75	ns
Junction capacitance (Note 3)	C <sub>J</sub>		15		pF
Thermal resistance	R <sub>QJA</sub>		180		°C/W
Operating junction temperature range	T <sub>J</sub>	-55		+150	°C
Storage temperature range	T <sub>STG</sub>	-55		+150	°C

**Note**

- Ratings at 25 C ambient temperature unless otherwise specified. Single phase half-wave 60Hz, resistive or inductive load, for capacitive load current derate by 20%.
- Reverse recovery condition IF=0.5A,IR=1.0A,Irr=0.25A
- Measured at 1.0MHz and applied reverse voltage of 4.0Voltage

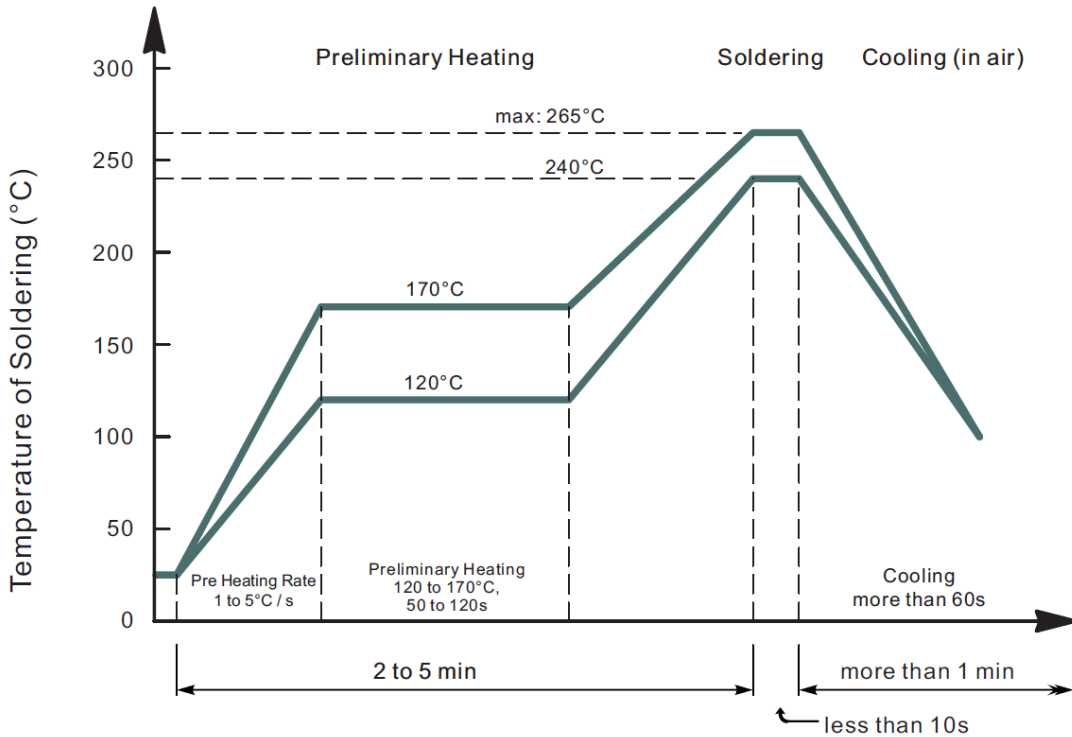
**SMD HIGH EFFICIENCY RECTIFIER SOD-123FL SERIES**

**RELIABILITY**

Number	Experiment Items	Experiment Method And Conditions	Reference Documents
1	Solder Resistance Test	Test 260°C± 5°C for 10 ± 2 sec. Immerse body into solder 1/16" ± 1/32"	MIL-STD-750D METHOD-2031.2
2	Solderability Test	230°C ±5°C for 5 sec.	MIL-STD-750D METHOD-2026.1 0
3	Pull Test	1 kg in axial lead direction for 10 sec.	MIL-STD-750D METHOD-2036.4
4	Bend Test	0.5Kg Weight Applied To Each Lead, Bending Arcs 90 °C ± 5 °C For 3 Times	MIL-STD-750D METHOD-2036.4
5	High Temperature Reverse Bias Test	TA=100°C for 1000 Hours at VR=80% Rated VR	MIL-STD-750D METHOD-1038.4
6	Forward Operation Life Test	TA=25°C Rated Average Rectified Current	MIL-STD-750D METHOD-1027.3
7	Intermittent Operation Life Test	On state: 5 min with rated IRMS Power Off state: 5 min with Cool Forced Air. On and off for 1000 cycles.	MIL-STD-750D METHOD-1036.3
8	Pressure Cooker Test	15 PSIG, TA=121°C, 4 hours	MIL-S-19500 APPENOIXC
9	Temperature Cycling Test	-55°C~+125°C; 30 Minutes For Dwelled Time 5 minutes for transferred time. Total: 10 cycles.	MIL-STD-750D METHOD-1051.7
10	Thermal Shock Test	0°C for 5 minutes., 100°C for 5minutes, Total: 10 cycles	MIL-STD-750D METHOD-1056.7
11	Forward Surge Test	8.3ms Single Sale Sine-wave One Surge.	MIL-STD-750D METHOD-4066.4
12	Humidity Test	TA=65°C, RH=98% for 1000 hours.	MIL-STD-750D METHOD-1021.3
13	High Temperature Storage life Test	150°C for 1000 Hours	MIL-STD-750D METHOD-1031.5

**SMD HIGH EFFICIENCY RECTIFIER SOD-123FL SERIES**

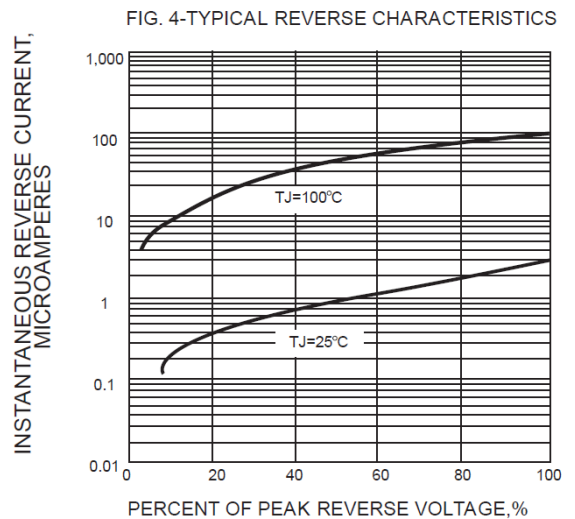
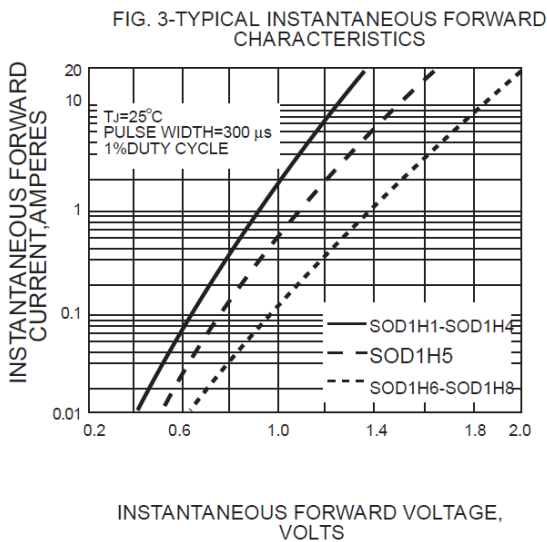
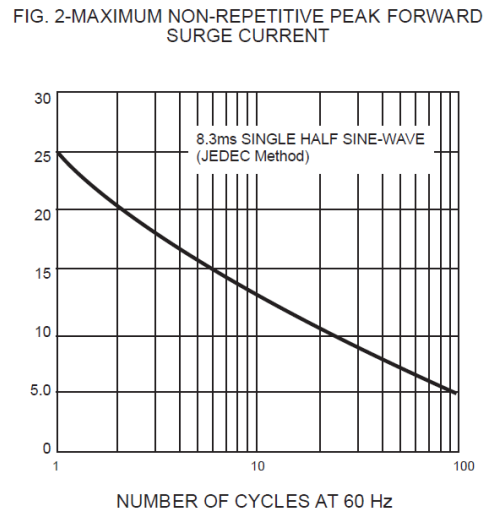
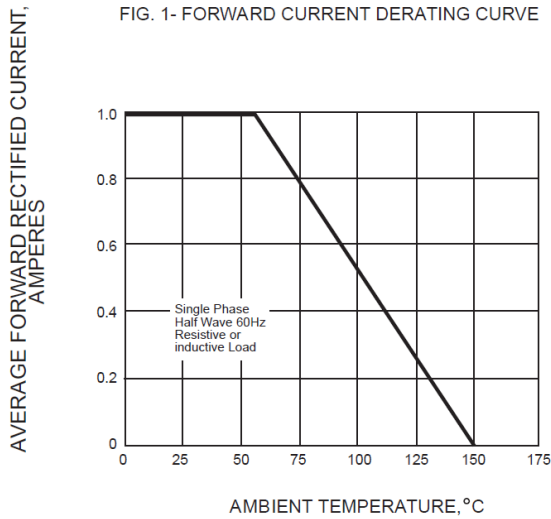
**SUGGESTED REFLOW PROFILE (For Reference Only)**



- Recommended peak temperature is over 245°C, If peak temperature is below 245 °C, you may adjust the following parameters; time length of peak temperature (longer), time length of soldering (longer), thickness of solder paste (thicker)
- Welding shall not exceed 2 times
- Remark: lead free solder paste (96.5 sn/3.0 Ag/0.5Cu)

**SMD HIGH EFFICIENCY RECTIFIER SOD-123FL SERIES**

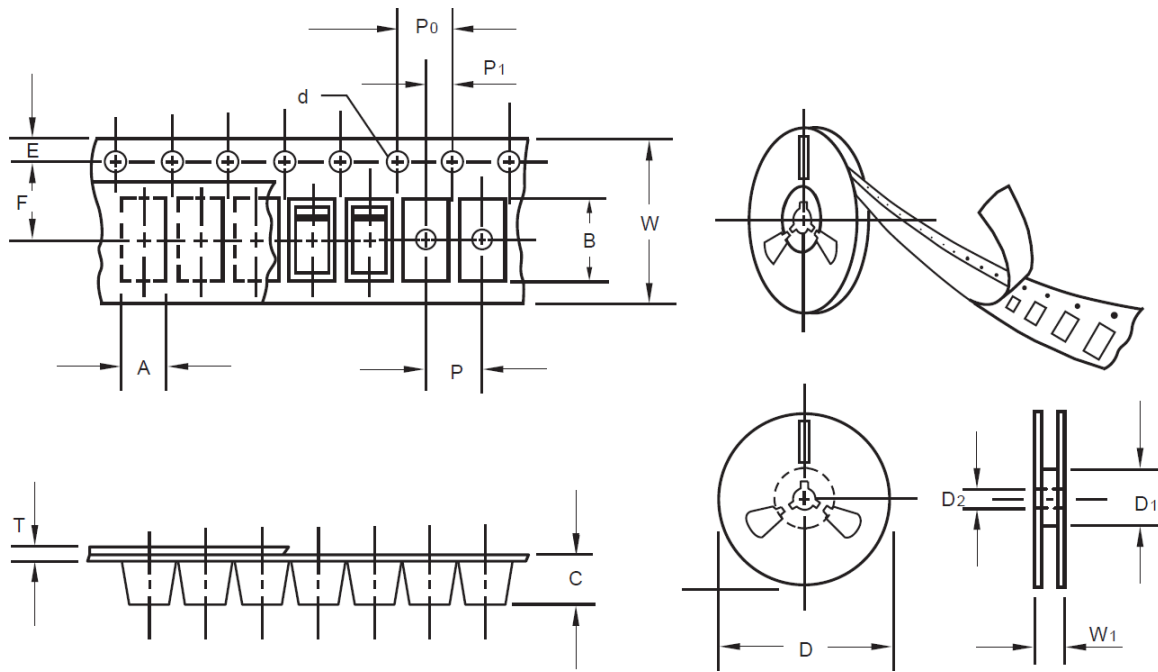
**RATINGS AND CHARACTERISTIC CURVES (For Reference Only)**



**SMD HIGH EFFICIENCY RECTIFIER SOD-123FL SERIES**

**TAPE/REEL (Unit: mm)**

All Devices are packed in accordance with EIA standard RS-481-A and specifications.



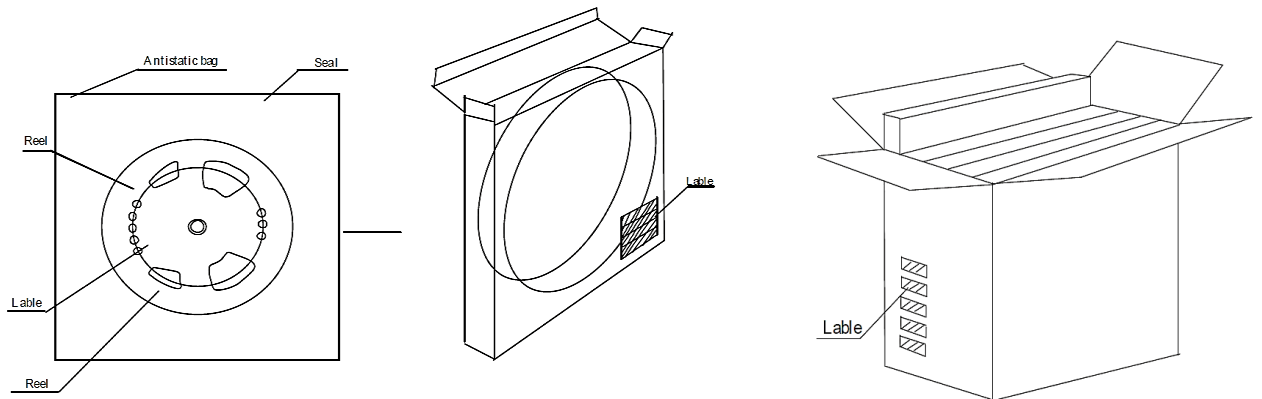
Item	Symbol	Tolerance	SOD-123FL
Carrier width	A	0.1	2.10
Carrier Length	B	0.1	4.00
Carrier Depth	C	0.1	1.60
Sprocket hole	d	0.05	1.55
7"Reel outside diameter	D	2.0	178.00
7"Reel inner diameter	D1	Min.	50.00
Feed hole diameter	D2	0.5	13.00
Sprocket hole position	E	0.1	1.75
Punch hole position	F	0.1	3.50
Punch hole pitch	P	0.1	4.00
Sprocket hole pitch	P0	0.1	4.00
Embossment center	P1	0.1	2.00
Overall tape thickness	T	0.1	0.25
Tape width	W	0.3	8.15
Reel width	W1	1.0	10.50



**SMD HIGH EFFICIENCY RECTIFIER SOD-123FL SERIES**

**PACKAGE**

Case Code	Reel Size	MPQ (pcs)	Component Spacing (mm)	Qty. Per Box (pcs)	Inner Box L*W*H (mm)	Reel Size (mm)	Carton size L*W*H (mm)	Qty. Per Carton (pcs)	G. W (kg)
SOD-123FL	7"	3,000		6,000	210*208*203	178	400*400*250	120,000	9.0



**DISCLAIMER**

NextGen Component, Inc. reserves the right to make changes to the product(s) and or information contained herein without notice. No liability is assumed as a result of their use or application. No rights under any patent accompany the sale of any such product(s) or information