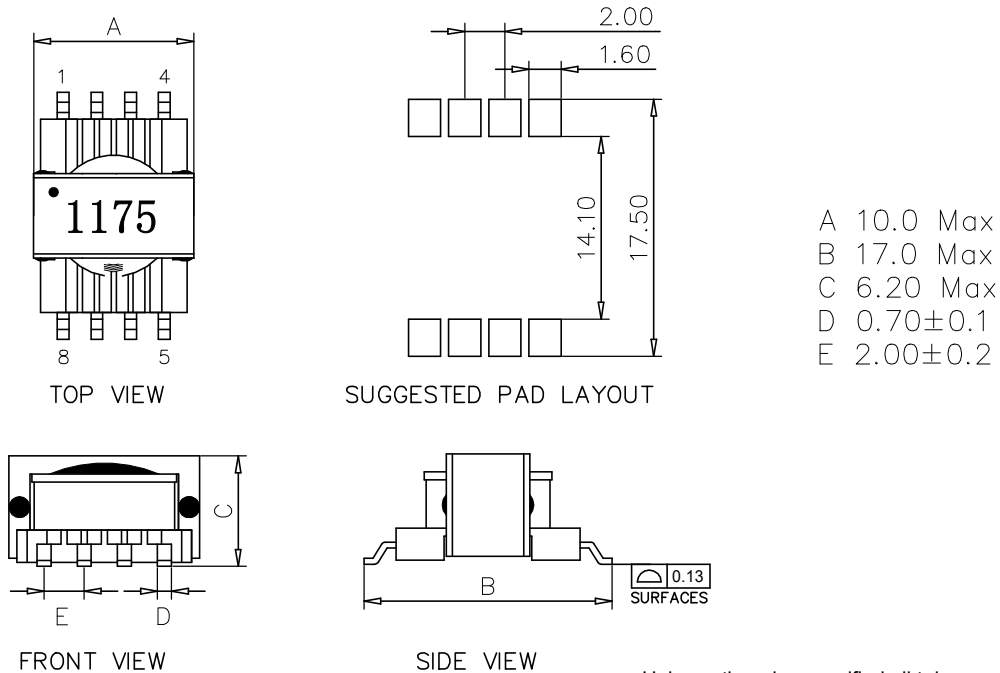


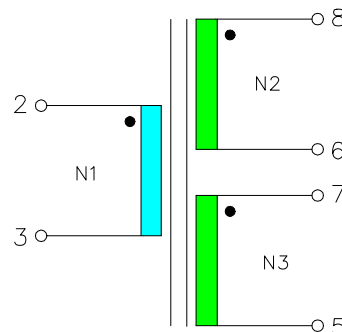
- RoHS Compliant (RoHS6).
- Termination finished: Sn-0.7Cu.
- IEC 60950 Compliant (used FIW wire to meet 8mm creepages and clearance distance)
- Storage temperature range : -40°C to +125°C.
- Operate temperature range: -40°C to +125°C (including self-temperature rise)

Electrical Specifications @25°C							
Part Number	Turns Ratio @20KHz,0.1V	OCL(uH±5%) @10KHz,0.1V	Lk@(uH Max) @100KHz,0.1V	DCR (Ω Max)			HI-POT (0.5mA,1s)
	N1:N2:N3	2-3	2-3 short other pins	2-3	8-6	7-5	PRI to SEC
TTER09-1175SG	17:11:3	20	2.5	0.6	0.47	0.20	5000VAC

MECHANICAL DIMENSIONS (Unit:mm)



SCHEMATICS



PAN SIZE: 500PCS/REEL
UNIT WEIGHT: 1.13g