



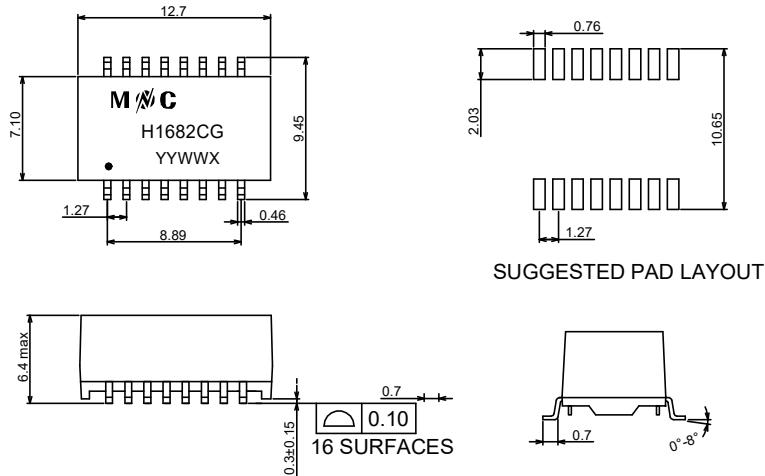
10/100 BASE-T SINGLE PORT SURFACE MOUNT MAGNETICS

- Meets IEEE 802.3u Standards.
- RoHS Compliant.
- 10/100 Base-T, Surface Mount Type, Open Header .
- Operating temperature range: 0°C to +70°C.



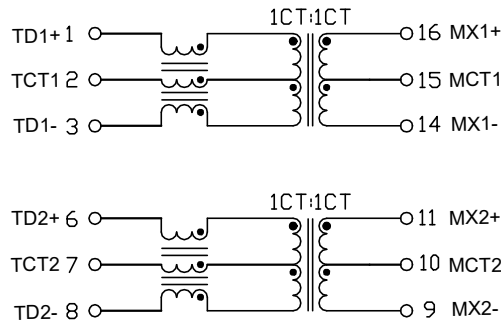
| Electrical Specifications @25°C | | | | | | | | | | | |
|---------------------------------|---|-------------------|-------------------------|-----------|------------------|----------------------|-----------|---------------------|-----|---------------|---------------|
| Part Number | OCL(uH Min) @100KHz,0.2V With 8mA DC Bias | Turns Ratio (±5%) | Insertion Loss (dB Max) | | | Return Loss (dB Min) | | Cross talk (dB Min) | | CMRR (dB Min) | HI-POT (Vrms) |
| | | | 0.5-100MHz | 0.5-30MHz | 30.1-60MHz | 60.1-80MHz | 0.5-40MHz | 40.1-100MHz | | | |
| H1682CG | 350 | 1CT:1CT | -1.1 | -18 | -18+20*log(f/30) | -12 | -35 | -33+20*log(f/50) | -30 | 1500 | |

MECHANICAL



Unless otherwise specified all tolerances are:±0.25 in mm

SCHEMATICS



PAN SIZE: 600PCS/REEL
UNIT WEIGHT: 0.7g