



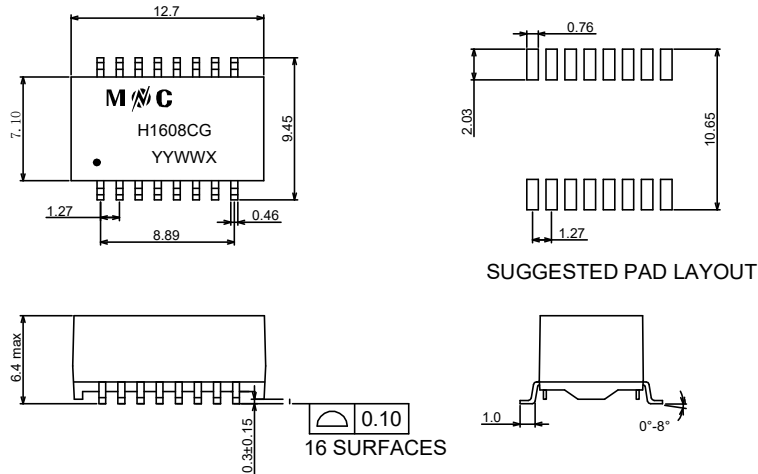
10/100 BASE-T SINGLE PORT SURFACEMOUNTMAGNETICS

- Meets IEEE 802.3u Standards.
- RoHS Compliant.
- 10/100 Base-T, Surface Mount Type, Open Header .
- Operating temperature range: 0°C to +70°C



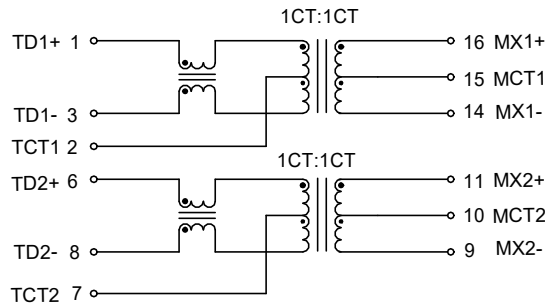
Electrical Specifications @25°C										
Part Number	OCL(μ H Min) @100KHz,0.2V With 8mA DC Bias	Turns Ratio (\pm 5%)	Insertion Loss (dB Max)	Return Loss (dB Min)			Cross talk (dB Min)		CMRR (dB Min)	HI-POT (Vrms)
				0.5-100MHz	30.1-60MHz	60.1-80MHz	0.5-40MHz	40.1-100MHz		
H1608CG	350	1CT:1CT	-1.1	-18	-18+20*log(f/30)	-12	-35	-33+20*log(f/50)	-30	1500

MECHANICAL



Unless otherwise specified all tolerances are: \pm 0.25 in mm

SCHEMATICS



PAN SIZE: 600PCS/REEL
UNIT WEIGHT: 0.85g