



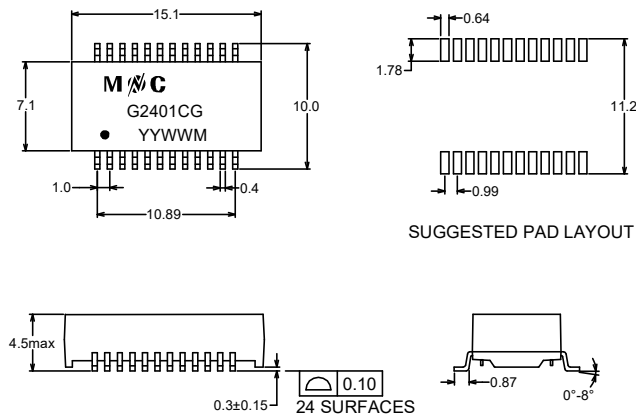
10/100/1000 BASE-T SINGLE PORT SURFACE MOUNT MAGNETICS

- Meets IEEE 802.3ab Standards.
- RoHS Compliant.
- 10/100/1000 Base-T, Surface Mount Type, Open Header .
- Operating temperature range: 0°C to +70°C.



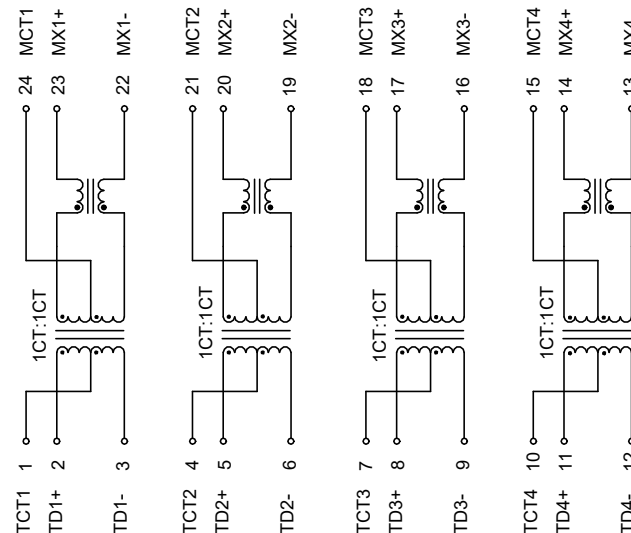
Electrical Specifications @25°C									
Part Number	OCL(uH Min) @100KHz,0.2V	Turns Ratio (±5%)	Insertion Loss (dB Max)	Return Loss (dB Min)		Cross talk (dB Min)		CMRR (dB Min) 0.5-100MHz	HI-POT (Vrms)
	With 8mA DC Bias		0.5-100MHz	0.5-40MHz	40.1-100MHz	0.5-40MHz	40.1-100MHz		
G2401CG	350	1CT:1CT	-1.1	-18	-12+20*log(f/80)	-35	-33+20*log(f/50)	-30	1500

MECHANICAL



Unless otherwise specified all tolerances are:±0.25 in mm

SCHEMATICS



PAN SIZE: 850PCS/REEL
UNIT WEIGHT: 0.74g