

OVERVIEW

The **P95020** is designed to provide maximum flexibility to system designers by providing full customization and programmability. It is the first of a new generation of standardized application-specific controllers that incorporates a general purpose microcontroller, a high fidelity audio CODEC including headphone outputs and a 2.5W Class D audio amplifier, full power management functionality, a touch screen controller and a real time clock all of which are required by portable consumer devices such as cellular phone handsets, portable gaming devices, digital media players, portable navigational devices, etc.

The general purpose microcontroller controls the device power-on/power-off sequencing and can also be used for general system housekeeping.

The P95020 includes two I²C Interfaces, a master for communicating with an external EEPROM and a slave for communicating with the host.

The high fidelity audio CODEC along with headphone outputs and the 2.5 watt Class D audio speaker amplifier comprise a total audio solution for portable applications.

The switch-mode EnergyPath™ Battery Charger operates with its own high efficiency buck regulator to transmit the 2.5 watts available from a USB port to the system with minimal wasted power. It can also handle up to 2A from a wall charger.

Its power management features along with switch-mode converters and LDOs should be sufficient to provide power for even the most complex hand-held devices.

The integrated touch screen controller allows adding touch screen capability to devices at significantly reduced cost.

It also includes IDT's high quality, low power real time clock.

APPLICATIONS

Smart Phones
Portable Gaming Device
Digital Media Players
Portable Navigational Devices

KEY FEATURES

Quick Turn Customization

Embedded Microcontroller

- ♦ Master Controller during Power Up & Power-Down
 - Initialization and power sequencing
- ♦ Dynamic Power Management via I²C bus interface
- ♦ Up to 10 General Purpose I/Os available
- ♦ General house keeping for P95020 and other devices

Audio Features

- ♦ 4 Channel CODEC with 24-bit resolution and internal registers for status and control
- ♦ Integrated 2.5 Watt Mono Class D Amplifier with Filterless Operation.
- ♦ Stereo cap-less headphone driver
- ♦ Differential Analog Audio Line Inputs
- ♦ Dual Mode Microphone Inputs (Analog or DMIC)

Battery Charging Circuit

- ♦ Autonomous Li-Ion/Li-Poly charger up to 1.5A
 - Automatic Load Prioritization
 - Advanced Battery Safety features
- ♦ High efficiency switch-mode *EnergyPath™ controller
- ♦ USB or Wall-mounted Charging
 - Programmable Current Limit
 - Automatic end-of-charge control
- ♦ Internal 180 mΩ ideal diode with external ideal diode controller

Power Management Features

- ♦ All Converters:
 - Power up/down sequence field reprogrammable with external EEPROM
 - Dynamic voltage scaling
 - Host or I²C output enable / disable
- ♦ Buck DC-DC PWM converters with PFM mode
 - Two at 500mA, 0.75V to 3.7V
 - One at 1000mA, 0.75V to 3.7V
- ♦ Boost DC-DC converters
 - One at 1.5 A peak on inductor, 4.05V to 5.0V
 - One LED supply with 2 W total output power
 - ♦ Two programmable current sinks, @ 25mA each
 - ♦ Voltage limited to rating of external FET & diode
- ♦ Linear Regulators
 - Three LDOs at 150mA, 0.75V to 3.7V
 - Four LDOs at 50mA, 0.7V to 3.7V
 - One always-on LDO at 10mA, 3.3 or 3.0V

ADC and Touch Screen Controller

- ♦ 4-wire touch screen interface
- ♦ One direct battery measurement channel
- ♦ One direct V_{SYS} measurement channel
- ♦ One direct charge current measurement channel
- ♦ On-Chip temperature measurement
- ♦ Four auxiliary analog input channels (shared with GPIO pins)
- ♦ Touch pressure measurement
- ♦ Sample rate: 62.5k SPS
- ♦ 12 bit resolution, DNL: -1~+2 LSB, INL: +-2
- ♦ On-chip 2.5V reference

BLOCK DIAGRAM

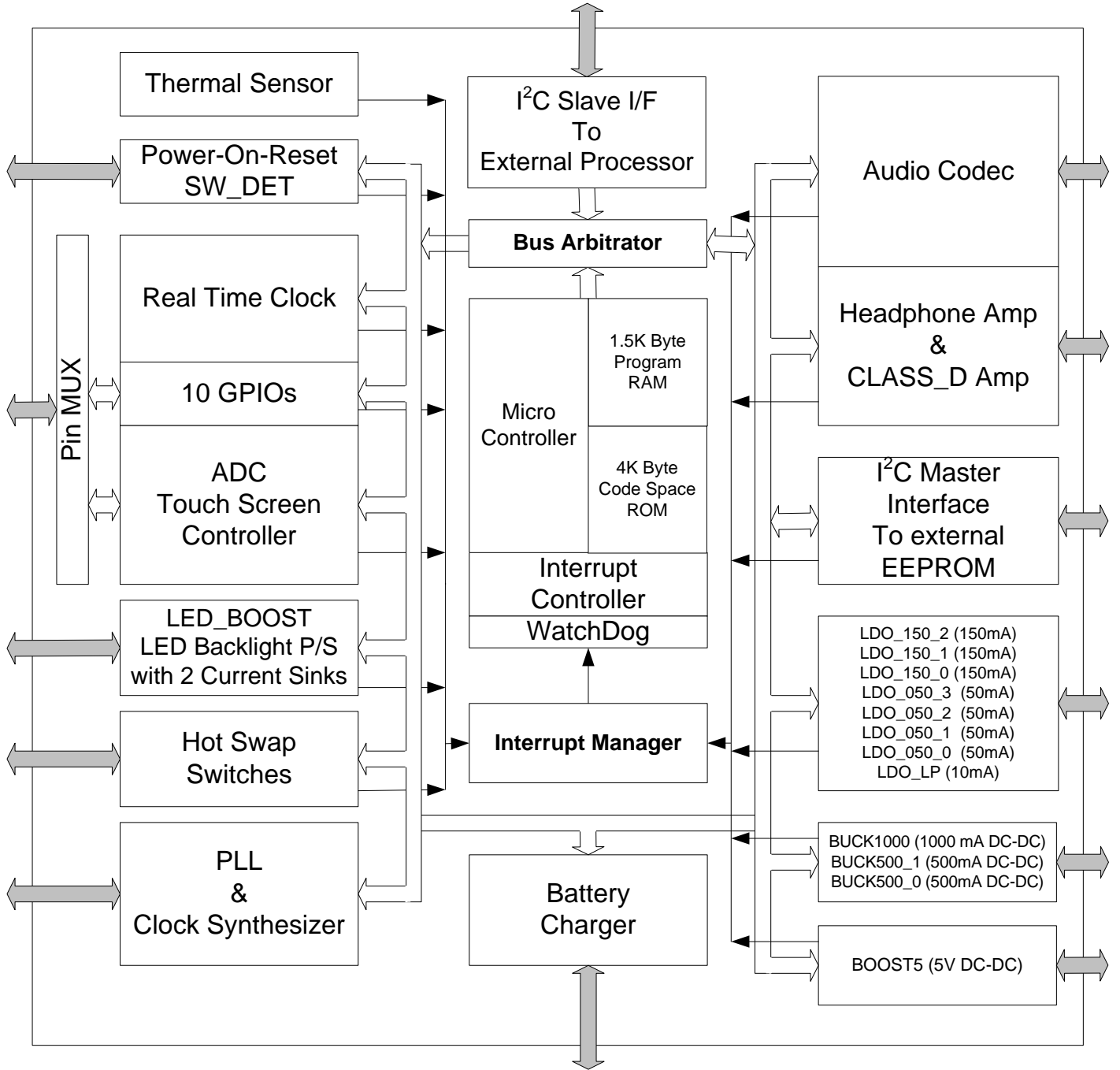


Figure 1 – P95020 Block Diagram.

TABLE OF CONTENTS

OVERVIEW	1
APPLICATIONS	1
KEY FEATURES	1
BLOCK DIAGRAM	2
PIN ASSIGNMENTS	7
PIN FUNCTIONS BY PIN NUMBER	9
I/O LEVELS BY TYPE	14
ABSOLUTE MAXIMUM RATINGS	15
RECOMMENDED OPERATING CONDITIONS	16
DIGITAL INTERFACES - DC ELECTRICAL CHARACTERISTICS	16
I2C MASTER - ELECTRICAL CHARACTERISTICS	16
I2C SLAVE - ELECTRICAL CHARACTERISTICS	16
I2S - ELECTRICAL CHARACTERISTICS	16
GPIO - ELECTRICAL CHARACTERISTICS	16
AUDIO POWER CONSUMPTION	17
1.0 OVERVIEW	18
1.1 FUNCTIONAL MODES	19
1.2 REGISTER MAP	20
1.3 BYTE ORDERING AND OFFSET	21
1.4 REGISTER ACCESS TYPES	21
1.5 RESERVED BIT FIELDS	21
2.0 AUDIO MODULE	22
2.1 AUDIO - PIN DEFINITIONS	22
2.2 AUDIO - SECTION OVERVIEW	23
2.3 AUDIO - ANALOG PERFORMANCE CHARACTERISTICS	23
2.4 AUDIO - MICROPHONE INPUT PORT	24
2.5 AUDIO - ANALOG LINE INPUT	27
2.6 AUDIO - DAC, ADC	27
2.7 AUDIO - AUTOMATIC GAIN CONTROL	28
2.8 AUDIO - ANALOG MIXER BLOCK	28
2.9 AUDIO - DIGITAL AUDIO INPUT/OUTPUT INTERFACE	29
2.10 AUDIO - REFERENCE VOLTAGE GENERATOR, BUFFER, & FILTERING CAPS	31
2.11 AUDIO - ANALOG AND CLASS D OUTPUT BLOCK	31
2.12 AUDIO - CLASS-D BTL AMPLIFIER	32
2.13 AUDIO CLASS_D - REGISTERS	32
2.14 AUDIO CLASS_D - EQUALIZER COEFFICIENT & PRESCALER RAM (EQRAM)	39
2.15 AUDIO - AUDIO CONTROL REGISTERS	40
3.0 CHARGER MODULE	52
3.1 CHARGER - OVERVIEW	52
3.2 CHARGER - SUB-BLOCKS	52
3.3 CHARGER - DC ELECTRICAL CHARACTERISTICS	53
3.4 CHARGER - TYPICAL PERFORMANCE CHARACTERISTICS	54
3.5 CHARGER - REGISTER ADDRESSES	55
3.6 CHARGER - PRE-REGULATOR	58
3.7 IDEAL DIODE FROM V_{BAT} TO V_{SYS}	59
3.8 CHARGER - CHARGER/DISCHARGER	60
3.9 CHARGER - THERMAL MONITORING	60
3.10 CHARGER - POWER ON RESET	60
4.0 CLOCK GENERATOR MODULE	61
4.1 CKGEN - PIN DEFINITIONS	61
4.2 CKGEN - OSCILLATOR CIRCUIT ELECTRICAL CHARACTERISTICS	62
4.3 CKGEN - PLL CONTROL	63
4.4 CKGEN - OSCILLATOR CIRCUIT	63
4.5 CKGEN - CKGEN POWER SOURCE	63
4.6 CKGEN - CLOCK ACCURACY	63
4.7 CKGEN - CLOCK GENERATOR REGISTERS	64

5.0	RTC MODULE	66
5.1	RTC - GENERAL DESCRIPTION.....	66
5.2	RTC - TIMEKEEPER REGISTERS	67
5.3	RTC - DATE REGISTERS	67
5.4	RTC - ALARM REGISTERS	68
5.5	RTC - INTERRUPT REGISTERS	69
5.6	RTC RESERVED REGISTERS	70
6.0	GENERAL PURPOSE TIMERS.....	71
6.1	GENERAL PURPOSE TIMERS – GENERAL DESCRIPTION.....	71
6.2	GENERAL PURPOSE TIMERS – REGISTERS.....	71
7.0	DC_DC MODULE	74
8.0	2MHz, 500mA & 1000mA SYNCHRONOUS BUCK REGULATORS.....	75
8.1	BUCK1000 & BUCK500 - PIN DEFINITIONS.....	76
8.2	BUCK1000 & BUCK500 - ELECTRICAL CHARACTERISTICS.....	76
8.3	BUCK CONVERTERS – TYPICAL PERFORMANCE CHARACTERISTICS.....	77
8.4	BUCK1000 & BUCK500 - REGISTER ADDRESSES.....	79
8.5	BUCK1000 & BUCK500 - ENABLING & DISABLING	80
8.6	BUCK1000 & BUCK500 - APPLICATIONS INFORMATION.....	81
9.0	HIGH EFFICIENCY 10 LED BOOST CONVERTER AND SINKS.....	83
9.1	LED_BOOST - ELECTRICAL CHARACTERISTICS.....	84
9.2	LED_BOOST – TYPICAL PERFORMANCE CHARACTERISTICS	84
9.3	LED_BOOST - REGISTER SETTINGS.....	85
9.4	LED_BOOST - ENABLING & DISABLING	86
9.5	LED_BOOST – Over-Voltage Protection.....	87
9.6	LED_BOOST – Over-Current Limiter.....	87
9.7	LED_BOOST - APPLICATIONS INFORMATION.....	87
10.0	BOOST5 – 1.5A, SYNCHRONOUS PWM BOOST CONVERTER	89
10.1	BOOST5 - ELECTRICAL CHARACTERISTICS.....	90
10.2	BOOST5 - REGISTER SETTINGS.....	90
10.3	BOOST5 - ENABLING & DISABLING	91
10.4	OUTPUT DIODE.....	92
10.5	BOOST5 - APPLICATIONS INFORMATION	92
11.0	CLASS_D BTL POWER OUTPUT STAGE	93
11.1	CLASS_D - ELECTRICAL CHARACTERISTICS.....	93
11.2	CLASS_D – TYPICAL PERFORMANCE CHARACTERISTICS	94
11.3	CLASS_D – REGISTER SETTINGS.....	94
11.4	CLASS_D - AUDIO INTERFACE AND DECODE	95
11.5	CLASS_D - SHORT CIRCUIT PROTECTION CIRCUITRY	95
11.6	CLASS_D - APPLICATIONS INFORMATION.....	95
12.0	TSC MODULE - ADC AND TOUCH SCREEN CONTROLLER	96
12.1	ADC AND TOUCH SCREEN CONTROLLER ELECTRICAL CHARACTERISTICS	97
12.2	ADC AND TOUCH SCREEN CONTROLLER PIN DEFINITIONS.....	97
12.3	ADC AND TOUCH SCREEN CONTROLLER OPERATION.....	97
12.4	ADC AND TOUCH SCREEN CONTROLLER REGISTERS	100
13.0	PCON MODULE – POWER CONTROLLER AND GENERAL PURPOSE I/O	107
13.1	GPIO PIN DEFINITIONS	107
13.2	POWER STATES	107
13.3	POWER SEQUENCING BY EMBEDDED MICROCONTROLLER.....	107
13.4	POWER ON RESET OUTPUT (POR_OUT).....	108
13.5	POWER SWITCH DETECTOR (SW_DET).....	108
13.6	GPIO GENERAL DESCRIPTION.....	108
13.7	PCON REGISTERS.....	108
14.0	HOTSWAP MODULE.....	113
14.1	HOT SWAP (LOAD SWITCHES) – ELECTRICAL CHARACTERISTICS.....	113
14.2	HOTSWAP – TYPICAL PERFORMANCE CHARACTERISTICS	114
14.3	HOTSWAP – PIN DEFINITIONS.....	115
14.4	PCON REGISTER - HOTSWAP CONFIGURATION	115
15.0	I2C_I2S MODULE.....	116
15.1	I2C_I2S - PIN DEFINITIONS.....	116
15.2	I ² C SLAVE.....	116
15.3	INTERRUPT DISPATCHER.....	117

15.4	ACCESS ARBITER	117
15.5	DIGITAL AUDIO DATA SERIAL INTERFACE	117
15.6	I2C_I2S – INTERFACE TIMING.....	118
15.7	GLOBAL REGISTER SETTINGS (I ² C-page 0)	120
15.8	ACCM REGISTERS	123
16.0	LDO MODULE	124
16.1	LDO - PIN DEFINITIONS	125
16.2	LDO - LDO_150 & LDO_050 ELECTRICAL CHARACTERISTICS	125
16.3	LDO – TYPICAL PERFORMANCE CHARACTERISTICS.....	126
16.4	LDO - LDO_LP - ELECTRICAL CHARACTERISTICS.....	127
16.5	LDO - LIST OF ALL LDOS	127
16.6	LDO – REGISTER SETTINGS.....	127
17.0	EMBUS – EMBEDDED MICROCONTROLLER SUBSYSTEM & I/O.....	131
17.1	OVERVIEW.....	131
17.2	FUNCTIONAL DESCRIPTION	131
17.3	ON-CHIP RAM & ROM.....	131
17.4	I ² C SLAVE INTERFACE	131
17.5	PERIPHERALS.....	132
17.6	INTERRUPT CONTROLLER.....	132
18.0	APPLICATIONS INFORMATION.....	133
18.1	EXTERNAL COMPONENTS	133
18.2	DIGITAL LOGIC DECOUPLING CAPACITORS	133
18.3	CLASS_D CONSIDERATIONS.....	133
18.4	SERIES TERMINATION RESISTORS.....	133
18.5	I ² C EXTERNAL RESISTOR CONNECTION	133
18.6	CRYSTAL LOAD CAPACITORS.....	133
18.7	PCB LAYOUT CONSIDERATIONS.....	133
18.8	POWER DISSIPATION AND THERMAL REQUIREMENTS	133
18.9	TYPICAL BLOCK PERFORMANCE CHARACTERISTICS GRAPHS	133
18.10	APPLICATIONS REFERENCE DESIGN(S).....	134
19.0	SOLDERING PROFILE.....	134
20.0	PACKAGE OUTLINE DRAWING.....	134
20.1	LLG124 PACKAGE OUTLINE	134
20.2	NGQ132 PACKAGE OUTLINE (Exposed Die Paddle Size D2 = E2 = 5.5 mm)	135
21.0	ORDERING INFORMATION.....	135

TABLE OF FIGURES

Figure 1 – P95020 Block Diagram.....	2
Figure 2 – P95020 Pinout Diagram (LLG124)	7
Figure 3 – P95020 Pinout (NGQ132).....	8
Figure 4 – Overall System Functional Diagram.....	18
Figure 5 – Audio Block Diagram	22
Figure 6 –Stereo Digital Microphone (Mode 3).....	26
Figure 7 –Stereo Digital Microphone (Mode 1 & 2).....	27
Figure 8 – Automatic Gain Control.....	28
Figure 9 – Charger Block Diagram	52
Figure 10 – Pre-Regulator Efficiency vs Load Current V _{BUS} = 5.0V, V _{SYS} = 3.7V.....	54
Figure 11– Pre-Regulator Load Regulation V _{BUS} = 5.0V, V _{SYS} = 3.7V	55
Figure 12 – Battery Charge Current vs Temperature	55
Figure 13 – V _{SYS} Regulation Curve (Tracking V _{BAT})	59
Figure 14 – Clock Generator Block Diagram	61
Figure 15 DC_DC Block Diagram	74
Figure 16 – BUCK500 / BUCK1000 Block Diagram	76
Figure 17 – BUCK500 DC-DC Regulator Efficiency vs Load Current PWM Mode	78
Figure 18 – BUCK1000 DC-DC Regulator Efficiency vs Load Current PWM Mode	78
Figure 19 – BUCK500 DC-DC Regulator Efficiency vs Load Current PFM Mode.....	79
Figure 20 – BUCK500 or BUCK 1000 Applications Diagram	81
Figure 21 – White LED Boost & Sink Driver Block Diagram.....	83

Figure 22 – LED Boost Efficiency vs Load Current (two strings of 10 LEDs).....	84
Figure 23 – LED Boost Efficiency vs VIN (two strings of 10 LEDs)	85
Figure 24 – LED_BOOST Application Schematic.....	87
Figure 25 – BOOST5 Block Diagram.....	89
Figure 26 – BOOST5 Applications Diagram	92
Figure 27 – Class D BTL Efficiency vs Output Power (4 ohm speaker)	94
Figure 28 – ADC & Touchscreen Controller Block Diagram.....	96
Figure 29 – Hotswap Block Diagram	113
Figure 30 – Hotswap #1 ON Resistance vs Temperature	114
Figure 31 – Hotswap #2 ON Resistance vs Temperature	114
Figure 32 – I ² C Read / Write Operation	117
Figure 33 – LDO_050 / LDO_150 Block Diagram.....	124
Figure 34 – LDO_050_n 50mA LDO Load Regulation	126
Figure 35 – LDO_150_n 150mA LDO Load Regulation	126
Figure 36 - Top level Interrupt routing.....	132
Figure 37 – Power Derating Curve (Typical).....	133

LIST OF TABLES

Table 1 – LLG124 Pin Functions by Pin Number (See Figure 2)	9
Table 2 - NQG132 Pin Functions by Pin Number (see Figure 3)	11
Table 3 – Register Address Global Mapping	20
Table 4 - Valid Digital Mic Configurations	25
Table 5 - MCLK Rate selection: MCLK_DIV2: MCLK_RATE	29
Table 6 – MCLK/Sample Rate	30
Table 7 - EQRAM Addresses.....	39
Table 8 – Register 0xA090 (0x90) Current Limit (I_LIM) Settings Bits [2:0].....	56
Table 9 – Register 0xA091, (0x91) Charging Maximum Voltage (CHG_VOL) Settings, Bits [5:4].....	56
Table 10 – Register 0xA091, (0x91) Charging Current Limit via Sense Resistor (CHG_CUR) Settings, Bits [3:0]	56
Table 11 – Register 0xA092 (0x92) Charging Termination Time (CHG_TERM) Settings Bits [1:0]	56
Table 12 – Register 0xA093 (0x93) Battery Recovery Charge Current Control Settings Bits [7:5].....	57
Table 13 – Register 0xA093, (0x93) Battery Good Voltage Threshold Settings, Bits [4:3]	57
Table 14 – Register 0xA095, (0x95) Current Charger Mode Settings, Bits [4:3].....	57
Table 15 - Crystal Specifications.....	63
Table 16 - Alarm mask bits	66
Table 17 – DC-DC Block Registers (Including the CLASS_D BTL Power Bridge).....	74
Table 18 – BUCK500_0, BUCK500_1 and BUCK1000 Register Addresses	79
Table 19 – Output Voltage Register Settings, Bits [6:0]	79
Table 20 – Control Register Cycle by Cycle Current Limit (I_LIM) Settings for Bits [3:2] [Note].....	80
Table 21 – Interoperability of enabling/disabling methods vs. loading default values.	80
Table 22 – Register 0xA086 (0x86) IOUT Current Settings for Bits [4:0], Half Scale and Full Scale.....	85
Table 23 – Interoperability of enabling/disabling methods vs. loading default values.	86
Table 24 – Register 0xA088 Output Voltage Bit Setting [4:0].....	90
Table 25 – Register 0xA089 (0x89) Peak Current Limit (I_LIM) Settings Bits [3:2].....	91
Table 26 – Interoperability of enabling/disabling methods vs. loading default values.	91
Table 27 – Peak Short Circuit Detect Level Settings for Bits [3:2].....	94
Table 28 – I2C Interface Timing.....	118
Table 29 – I2S Interface Timing.....	119
Table 30 - Interrupt Source Mapping	122
Table 31 – Control Register Current Limit (I_LIM) Settings for Bits [1:0].....	128

PIN ASSIGNMENTS

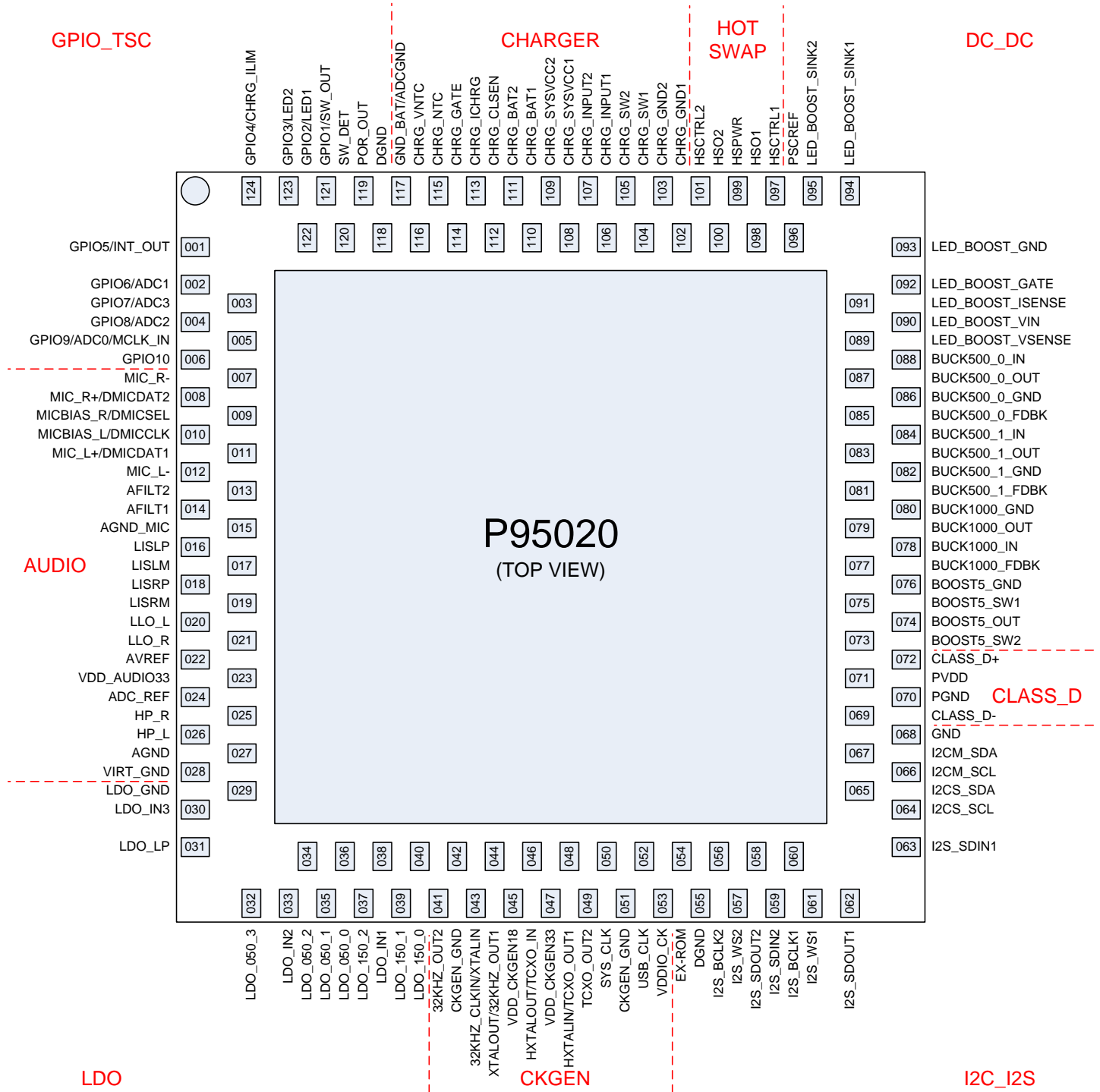


Figure 2 – P95020 Pinout Diagram (LLG124)

NOTES:

1. All the Buck Converter inputs (BUCK500_0_IN, BUCK500_1_IN, BUCK1000_IN) must be connected to CHRG_SYSVCC1 and CHRG_SYSVCC2.
2. LLG124 package is available upon request.

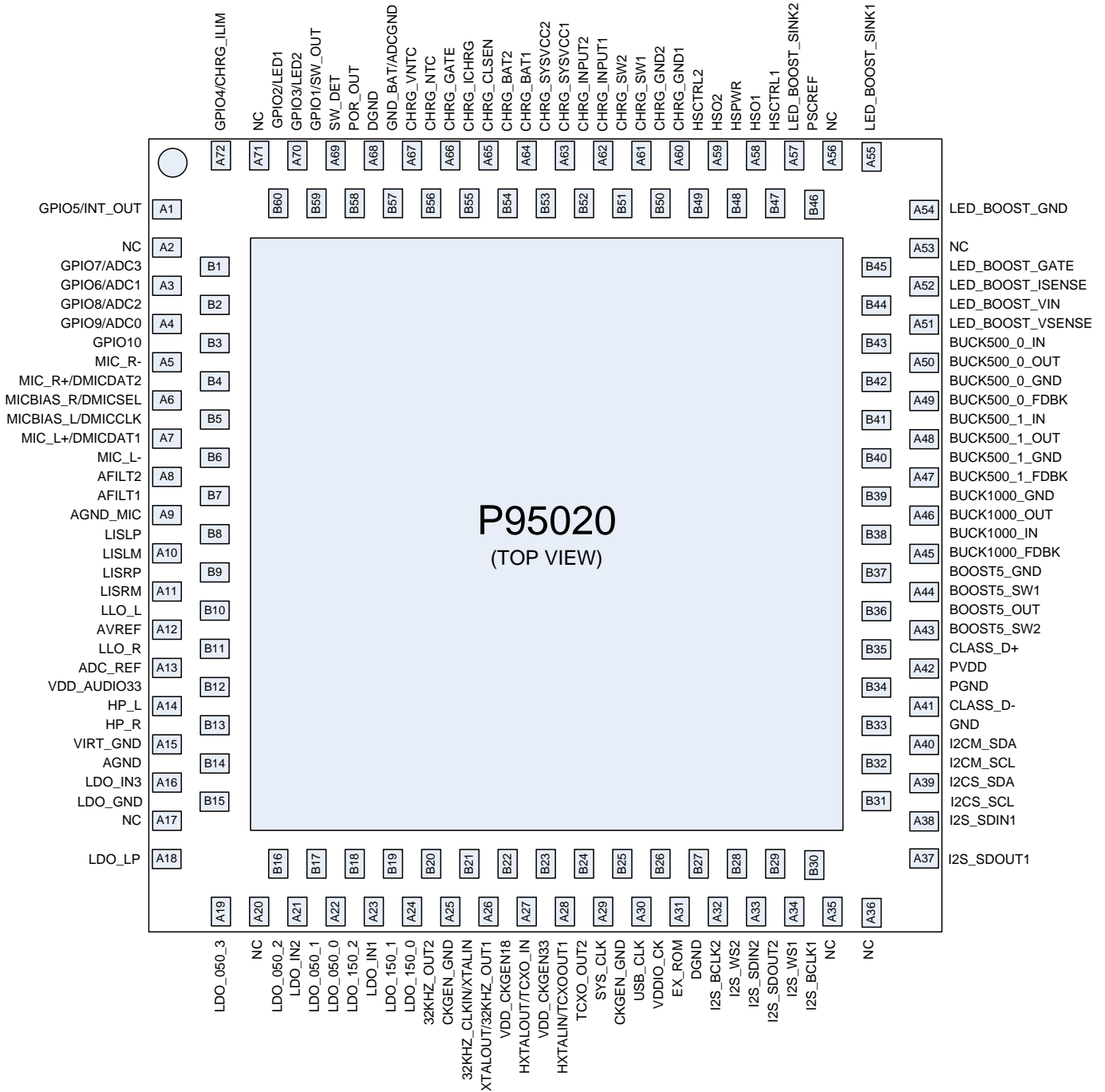


Figure 3 – P95020 Pinout (NGQ132)

NOTES:

All the Buck Converter inputs (BUCK500_0_IN, BUCK500_1_IN, BUCK1000_IN) must be connected to CHRG_SYSVCC1 and CHRG_SYSVCC2.

PIN FUNCTIONS BY PIN NUMBER

Table 1 – LLG124 Pin Functions by Pin Number (See Figure 2)

MODULE	PIN #	PIN NAME	DESCRIPTION	I/O TYPE	
GPIO_TSC (See Pins 117-124 also)	1	GPIO5/INT_OUT	GPIO 5: General Purpose I/O # 5 INT_OUT : Interrupt Output	GPIO	
	2	GPIO6/ADC1	GPIO 6: General Purpose I/O # 6 ADC1 : Auxiliary Input Channel 2 / X- pin to 4-wire resistive touch-screen	GPIO	
	3	GPIO7/ADC3	GPIO 7: General Purpose I/O # 7 ADC3 : Auxiliary Input Channel 4 / Y- pin to 4-wire resistive touch-screen	GPIO	
	4	GPIO8/ADC2	GPIO 8: General Purpose I/O # 8 ADC2 : Auxiliary Input Channel 3 / Y+ pin to 4-wire resistive touch-screen	GPIO	
	5	GPIO9/ADC0/MCLK_IN	GPIO 9: General Purpose I/O # 9 ADC0 : Auxiliary Input Channel 1 / X+ pin to 4-wire resistive touch-screen MCLK_IN : Master Clock Input	GPIO	
	6	GPIO10	GPIO 10: General Purpose I/O # 10	GPIO	
	7	MIC_R-	MIC_R-: Analog Microphone Differential Stereo Right Inverting Input	A-I	
	8	MIC_R+/DMICDAT2	MIC_R+: Analog Microphone Differential Stereo Right Non-Inverting Input DMICDAT2: Digital Microphone 2 Data Input	A-I D-I	
	9	MICBIAS_R/DMICSEL	MICBIAS : Microphone Right Bias DMICSEL : Digital Microphone Select (Common to both inputs)	A-O D-O	
	10	MICBIAS_L/DMICCLK	MICBIAS : Microphone Left Bias DMICCLK : Digital Microphone Clock (Common to both inputs)	A-O D-O	
	11	MIC_L+/DMICDAT1	MIC_L+ : Analog Microphone Differential Stereo Left Non-Inverting Input DMICDAT1 : Digital Microphone 1 Data Input	A-I D-I	
	12	MIC_L-	MIC_L- : Analog Microphone Differential Stereo Left Inverting Input	A-I	
	13	AFILT2	Microphone ADC Anti-Aliasing Filter Capacitor #2	A-I	
	14	AFILT1	Microphone ADC Anti-Aliasing Filter Capacitor #1	A-I	
	15	AGND_MIC	Microphone Ground (Analog Ground)	GND	
	16	LISLP	Line Input Stereo Left Non-Inverting	A-I	
	17	LISLM	Line Input Stereo Left Inverting	A-I	
	18	LISRP	Line Input Stereo Right Non-Inverting	A-I	
	19	LISRM	Line Input Stereo Right Inverting	A-I	
	20	LLO_L	Line Level Output, Left	A-O	
	21	LLO_R	Line Level Output, Right	A-O	
	22	AVREF	Analog Reference	A-O	
	23	VDD_AUDIO33	Filter Capacitor for Internal 3.3V AUDIO LDO	A-O	
	24	ADC_REF	ADC Reference Bypass Capacitor	A-I	
	25	HP_R	Right Headphone Output	A-O	
	26	HP_L	Left Headphone Output	A-O	
	27	AGND	Line Out Ground (Analog Ground)	GND	
	AUDIO	28	VIRT_GND	Virtual Ground for Cap-Less Output	A-O
		29	LDO_GND	LDO Ground	GND
LDO	30	LDO_IN3	Input Voltage to LDOs for AUDIO Power (VDD_AUDIO33 & VDD_AUDIO18)	AP-I	
	31	LDO_LP	Always on Low Power LDO Output (Voltage Programmable to 3.0 V or 3.3 V)	AP-O	
	32	LDO_050_3	50mA LDO Output #3 (Voltage Range: 0.75-3.7 V)	AP-O	
	33	LDO_IN2	Input Voltage to LDO_050_0, LDO_050_1, LDO_050_2 & LDO_050_3	AP-I	
	34	LDO_050_2	50mA LDO Output #2 (Voltage Range: 0.75-3.7 V)	AP-O	
	35	LDO_050_1	50mA LDO Output #1 (Voltage Range: 0.75-3.7 V)	AP-O	
	36	LDO_050_0	50mA LDO Output #0 (Voltage Range: 0.75-3.7 V) Note: This LDO also serves as the internal power source for I2S1, I2S2 and I2CS. The external function of this pin is not affected but the voltage register setting for this LDO will also govern the I/O level for I2S1, I2S2 and I2CS.	AP-O	
	37	LDO_150_2	150mA LDO Output #2 (Voltage Range: 0.75-3.7 V)	AP-O	
	38	LDO_IN1	Input Voltage to LDO_150_0, LDO_150_1, & LDO_050_2	AP-I	
	39	LDO_150_1	150mA LDO Output #1 (Voltage Range: 0.75-3.7 V)	AP-O	
LDO	40	LDO_150_0	150mA LDO Output #0 (Voltage Range: 0.75-3.7 V)	AP-O	
	41	32KHZ_OUT2	Buffered 32.768kHz Output #2	D-O	
CKGEN	42	CKGEN_GND	PLL Analog Ground	GND	
	43	32KHZ_CLKIN/XTALIN	32KHZ_CLKIN: External 32.768kHz Clock Input; XTALIN : Input Pin when used with an external crystal	A-I	

MODULE	PIN #	PIN NAME	DESCRIPTION	I/O TYPE
	44	XTALOUT/32KHZ_OUT1	XTALOUT: Output Pin when used with an external crystal 32KHZ_OUT1: when XTALIN is connected to a 32kHz input this pin can be a 32kHz Output when CKGEN_PLL_STATUS register, 32KOUT1_EN (bit 4) is set to 1.	A-O
	45	VDD_CKGEN18	Filter Capacitor for Internal 1.8V CKGEN LDO	A-IO
	46	HXTALOUT/TCXO_IN	HXTALOUT: 12 MHz, 13 MHz, 19.2 MHz or 26 MHz crystal oscillator output TCXO_IN: External 12 MHz, 13 MHz, 19.2 MHz or 26 MHz Clock Input	TCXO-D-I
	47	VDD_CKGEN33	Filter Capacitor for Internal 3.3V CKGEN LDO	A-IO
	48	HXTALIN/TCXO_OUT1	HXTALIN: 12 MHz, 13 MHz, 19.2 MHz, or 26 MHz crystal oscillator input TCXO_OUT1: Buffered HXTALOUT/TCXO_IN Clock Output #1, 32.7638 KHz Output, 24 MHz PLL Output	TCXO-D-O
	49	TCXO_OUT2	Buffered HXTALOUT/TCXO_IN Clock Output #2, 12 MHz PLL Output, 24MHz PLL Output	TCXO-D-O
	50	SYS_CLK	12MHz Output or Buffered Output of TCXO_IN	D-O
	51	CKGEN_GND	PLL Analog Ground	GND
	52	USB_CLK	24 MHz or 48 MHz Output	D-O
	53	VDDIO_CK	Power Supply Input for TCXO_OUT1 and TCXO_OUT2 (1.1V – 1.9V)	AP-I
I2C I2S	54	EX_ROM	ROM Select. EX_ROM = 1, read contents of external ROM. EX_ROM = 0, read contents of internal ROM into internal shadow memory.	D-I
	55	DGND	Digital Ground	GND
	56	I2S_BCLK2	I2S Bit Clock Channel 2	D-I
	57	I2S_WS2	I2S Word Select (Left/Right) Channel 2	D-I
	58	I2S_SDOUT2	I2S Serial Data OUT Channel 2	D-O
	59	I2S_SDIN2	I2S Serial Data IN Channel 2	D-I
	60	I2S_BCLK1	I2S Bit Clock Channel 1	D-I
	61	I2S_WS1	I2S Word Select (Left/Right) Channel 1	D-I
	62	I2S_SDOUT1	I2S Serial Data OUT Channel 1	D-O
	63	I2S_SDIN1	I2S Serial Data IN Channel 1	D-I
CLASS_D	64	I2CS_SCL	I2C Slave clock	I2C-I/O
	65	I2CS_SDA	I2C Slave data	I2C-O
	66	I2CM_SCL	I2C Master clock	I2C-O
	67	I2CM_SDA	I2C Master data	I2C-I/O
	68	GND	GND : Ground	GND
	69	CLASS_D-	Class-D Inverting Output	A-O
	70	PGND	Ground for Class D BTL Power Stage	GND
	71	PVDD	Input Power for CLASS_D BTL Power Stage	A-I
	72	CLASS_D+	Class-D Non-Inverting Output	A-O
	DC_DC	73	BOOST5_SW2	BOOST5 Converter Power Switch Internally connected to pin 075 (BOOST_SW1)
74		BOOST5_OUT	BOOST5 Converter Output	AP-O
75		BOOST5_SW1	BOOST5 Converter Power Switch Internally connected to pin 073 (BOOST_SW2)	AP-O
76		BOOST5_GND	Ground for BOOST5 Power Supply	AP-I
77		BUCK1000_FDBK	BUCK2 Converter #2 -Feedback	AP-I
78		BUCK1000_IN	BUCK2 Converter #2 - Input	AP-I
79		BUCK1000_OUT	BUCK2 Converter Output #2 – 1000mA	AP-O
80		BUCK1000_GND	Ground for BUCK2 Converter #2	GND
81		BUCK500_1_FDBK	BUCK1 Converter #1 – Feedback	AP-I
82		BUCK500_1_GND	Ground for BUCK1 Converter #1	GND
83		BUCK500_1_OUT	BUCK1 Converter Output #1 - 500mA	AP-O
84		BUCK500_1_IN	BUCK1 Converter #1 Input	AP-I
85		BUCK500_0_FDBK	BUCK0 Converter #0 feedback	AP-I
86		BUCK500_0_GND	Ground for BUCK0 Converter #0	GND
87		BUCK500_0_OUT	BUCK0 Converter Output #0 - 500mA	AP-O
88		BUCK500_0_IN	BUCK0 Converter #0 Input	AP-I
89		LED_BOOST_VSENSE	LED_BOOST Converter Output Voltage Sense Input to PWM Controller	AP-I
90		LED_BOOST_VIN	LED_BOOST Converter GATE BIAS Supply	AP-I
91		LED_BOOST_ISENSE	LED_BOOST Converter Output Current Sense Input to PWM Controller	AP-I
92		LED_BOOST_GATE	LED_BOOST Converter GATE Drive to Power FET	AP-I
HOTSWAP	93	LED_BOOST_GND	Ground for LED_BOOST	AP-I
	94	LED_BOOST_SINK1	LED_BOOST Converter Current Sink for LED String #1	AP-I
	95	LED_BOOST_SINK2	LED_BOOST Converter Current Sink for LED String #2	AP-I
	96	PSCREF	Power Supply Current Reference	AP-O
	97	HSCTRL1	Hot Swap Control Input 1	D-I
	98	HSO1	Hot Swap Output 1	A-O
	99	HSPWR	Hot Swap Switches Power Input	AP-I
	100	HSO2	Hot Swap Output 2	A-O
	101	HSCTRL2	Hot Swap Control Input 2	D-I

MODULE	PIN #	PIN NAME	DESCRIPTION	I/O TYPE
CHARGER	102	CHRG_GND1	Pins 102 & 103 are the Power GND Pins for the Switching Regulator in the Charger. Due to their higher current requirement they are internally tied together & must be connected externally at the PC board also.	A-I
	103	CHRG_GND2		A-I
	104	CHRG_SW1	Pins 104 and 105 connect to the inductor of the switch-mode step-down regulator for the Battery Charger. Due to their higher current requirement they are internally tied together & must be connected externally at the PC board also.	A-O
	105	CHRG_SW2		A-O
	106	CHRG_INPUT1	Pins 106 and 107 provide 5V V _{BUS} Input Power from the USB or from an external wall mounted external supply. Due to their higher current requirement they are internally tied together & must be connected externally at the PC board also.	AP-I
	107	CHRG_INPUT2		AP-I
	108	CHRG_SYSVCC1	Pins 108 and 109 are System VCC Output (V _{sys}). Due to their higher current requirement they are internally tied together & must be connected externally at the PC board also.	A-O
	109	CHRG_SYSVCC2		A-O
	110	CHRG_BAT1	Pins 110 and 111 form the positive battery lead connection to a single cell Li-Ion/Li-Poly battery. Due to their higher current requirement they are internally tied together & must be connected externally at the PC board also.	AP-I/O
	111	CHRG_BAT2		AP-I/O
	112	CHRG_CLSEN	Input Current Limit Sense/filtering pin for current limit detection	A-I
	113	CHRG_IChRG	Current setting. Connect to a current sense resistor	AP-I/O
	114	CHRG_GATE	Gate Drive for (Optional) External Ideal Diode	A-O
	115	CHRG_NTC	Thermal Sense, Connect to a battery's thermistor	A-I
	116	CHRG_VNTC	NTC Power output. This pin provides power to the NTC resistor string. This output is automatically CHRG_SYSVCC level but only enabled when NTC measurement is necessary to save power.	AP-O
	GPIO_TSC (See Pins 001-006 also)	117	GND_BAT/ADCGND	GND_BAT & ADCGND: Shared analog ground pin for battery charger and ADC.
118		DGND	Digital Ground	GND
119		POR_OUT	Power-On-Reset Output, Active Low	GPIO-OUT
120		SW_DET	Switch Detect Input	GPIO
121		GPIO1/SW_OUT/PENDOWN	GPIO 1: General Purpose I/O # 1 SW_OUT: Switch Detect Output PENDOWN: PENDOWN Detect Output	GPIO
122		GPIO2/LED1	GPIO 2: General Purpose I/O # 2 LED1: Charger LED # 1 Indicates charging in progress	GPIO
123		GPIO3/LED2	GPIO 3: General Purpose I/O # 3 LED2: Charger LED # 2 Indicates charging complete	GPIO
124		GPIO4/CHRG_ILIM	GPIO 4: General Purpose I/O # 4 CHRG_ILIM: Control the current limit of the Charger Pre-Regulator. CHRG_ILIM = 0, limit current to 500mA; CHRG_ILIM = 1, limit current to 1.5A	GPIO

Table 2 - NQG132 Pin Functions by Pin Number (see Figure 3)

MODULE	PIN #	PIN NAME	DESCRIPTION	I/O TYPE	
GPIO_TSC (See Pins B57 – A71 also)	A1	GPIO5/INT_OUT	GPIO 5: General Purpose I/O # 5 INT_OUT : Interrupt Output	GPIO	
	A2	NC	No Connect	NC	
	B1	GPIO7/ADC3	GPIO 7: General Purpose I/O # 7 ADC3 : Auxiliary Input Channel 4 / Y- pin to 4 wire resistive touch screen	GPIO	
	A3	GPIO6/ADC1	GPIO 6: General Purpose I/O # 6 ADC1 : Auxiliary Input Channel 2 / X- pin to 4-wire resistive touch screen	GPIO	
	B2	GPIO8/ADC2	GPIO 8: General Purpose I/O # 8 ADC2 : Auxiliary Input Channel 3 / Y+ pin to 4-wire resistive touch screen	GPIO	
	A4	GPIO9/ADC0/MCLK_IN	GPIO 9: General Purpose I/O # 9 ADC0 : Auxiliary Input Channel 1 / X+ pin to 4-wire resistive touch screen MCLK_IN : Master Clock Input	GPIO	
	B3	GPIO10	GPIO 10: General Purpose I/O # 10	GPIO	
	AUDIO	A5	MIC_R-	MIC_R-: Analog Microphone Differential Stereo Right Inverting Input	A-I
		B4	MIC_R+/DMICDAT2	MIC_R+: Analog Microphone Differential Stereo Right Non-Inverting Input DMICDAT2: Digital Microphone 2 Data Input	A-I D-I
		A6	MICBIAS_R/DMICSEL	MICBIAS : Microphone Right Bias DMICSEL : Digital Microphone Select (Common to both inputs)	A-O D-O
B5		MICBIAS_L/DMICCLK	MICBIAS : Microphone Left Bias DMICCLK : Digital Microphone Clock (Common to both inputs)	A-O D-O	
A7		MIC_L+/DMICDAT1	MIC_L+ : Analog Microphone Differential Stereo Left Non-Inverting Input DMICDAT1 : Digital Microphone 1 Data Input	A-I D-I	

MODULE	PIN #	PIN NAME	DESCRIPTION	I/O TYPE
	B6	MIC_L-	MIC_L- : Analog Microphone Differential Stereo Left Inverting Input	A-I
	A8	AFILT2	Microphone ADC Anti-Aliasing Filter Capacitor #2	A-I
	B7	AFILT1	Microphone ADC Anti-Aliasing Filter Capacitor #1	A-I
	A9	AGND_MIC	Microphone Ground (Analog Ground)	GND
	B8	LISLP	Line Input Stereo Left Non-Inverting	A-I
	A10	LISLM	Line Input Stereo Left Inverting	A-I
	B9	LISRP	Line Input Stereo Right Non-Inverting	A-I
	A11	LISRM	Line Input Stereo Right Inverting	A-I
	B10	LLO_L	Line Level Output, Left	A-O
	A12	AVREF	Analog Reference	A-O
	B11	LLO_R	Line Level Output, Right	A-O
	A13	ADC_REF	ADC Reference Bypass Capacitor	A-I
	B12	VDD_AUDIO33	Filter Capacitor for Internal 3.3V AUDIO LDO	A-O
	A14	HP_L	Left Headphone Output	A-O
B13	HP_R	Right Headphone Output	A-O	
A15	VIRT_GND	Virtual Ground for Cap-Less Output	A-O	
	B14	AGND	Analog Ground	GND
LDO	A16	LDO_IN3	Input Voltage to LDOs for AUDIO Power (VDD_AUDIO33 & VDD_AUDIO18)	AP-I
	B15	LDO_GND	LDO Ground	GND
	A17	NC	No Connect	NC
	A18	LDO_LP	Always on Low Power LDO Output (Voltage Programmable to 3.0 V or 3.3 V)	AP-O
	A19	LDO_050_3	50mA LDO Output #3 (Voltage Range: 0.75-3.7 V)	AP-O
	A20	NC	No Connect	NC
	B16	LDO_050_2	50mA LDO Output #2 (Voltage Range: 0.75-3.7 V)	AP-O
	A21	LDO_IN2	Input Voltage to LDO_050_0, LDO_050_1, LDO_050_2 & LDO_050_3	AP-I
	B17	LDO_050_1	50mA LDO Output #1 (Voltage Range: 0.75-3.7 V)	AP-O
	A22	LDO_050_0	50mA LDO Output #0 (Voltage Range: 0.75-3.7 V) Note: This LDO also serves as the internal power source for I2S1, I2S2 and I2CS. The external function of this pin is not affected but the voltage register setting for this LDO will also govern the I/O level for I2S1, I2S2 and I2CS.	AP-O
	B18	LDO_150_2	150mA LDO Output #2 (Voltage Range: 0.75-3.7 V)	AP-O
	A23	LDO_IN1	Input Voltage to LDO_150_0, LDO_150_1 & LDO_150_2	AP-I
	B19	LDO_150_1	150mA LDO Output #1 (Voltage Range: 0.75-3.7 V)	AP-O
	A24	LDO_150_0	150mA LDO Output #0 (Voltage Range: 0.75-3.7 V)	AP-O
CK_GEN	B20	32KHZ_OUT2	Buffered 32.768kHz Output #2	D-O
	A25	CKGEN_GND	PLL Analog Ground	GND
	B21	32KHZ_CLKIN/XTALIN	32KHZ_CLKIN: External 32.768kHz Clock Input; XTALIN : Input Pin when used with an external crystal	A-I
	A26	XTALOUT/32KHZ_OUT1	XTALOUT: Output Pin when used with an external crystal 32KHZ_OUT1: when XTALIN is connected to a 32kHz input this pin can be a 32kHz Output when CKGEN_PLL_STATUS register, 32KOUT1_EN (bit 4) is set to 1.	A-O
	B22	VDD_CKGEN18	Filter Capacitor for Internal 1.8V CKGEN LDO	A-IO
	A27	HXTALOUT/TCXO_IN	HXTALOUT: 12 MHz, 13 MHz, 19.2 MHz or 26 MHz output TCXO_IN: External 12 MHz, 13 MHz, 19.2 MHz or 26 MHz clock input	TCXO-D-I
	B23	VDD_CKGEN33	Filter Capacitor for Internal 3.3V CKGEN LDO	A-IO
	A28	HXTALIN/TCXO_OUT1	HXTALIN: 12 MHz, 13 MHz, 19.2 MHz, or 26 MHz crystal oscillator input TCXO_OUT1: Buffered HXTALOUT/TCXO_IN Clock Output #1, 32.7638 KHz Output or 24 MHz PLL Output	TCXO-D-O
	B24	TCXO_OUT2	Buffered HXTALOUT/TCXO_IN Clock Output #2, 12 MHz PLL Output or 48 MHz PLL Output	TCXO-D-O
	A29	SYS_CLK	12MHz Output or Buffered Output of TCXO_IN	D-O
	B25	CKGEN_GND	PLL Analog Ground	GND
	A30	USB_CLK	24 MHz or 48 MHz Output	D-O
	B26	VDDIO_CK	Power Supply Input for TCXO_OUT1 and TCXO_OUT2 (1.1V – 1.9V)	AP-I
	I2C_I2S	A31	EX_ROM	ROM Select. EX_ROM = 1, read contents of external ROM. EX_ROM = 0, read contents of internal ROM into internal shadow memory.
B27		DGND	Digital Ground (1)	GND
A32		I2S_BCLK2	I2S Bit Clock Channel 2	D-I
B28		I2S_WS2	I2S Word Select (Left/Right) Channel 2	D-I
A33		I2S_SDIN2	I2S Serial Data IN Channel 2	D-I
B29		I2S_SDOU2	I2S Serial Data OUT Channel 2	D-O
A34		I2S_WS1	I2S Word Select (Left/Right) Channel 1	D-I
B30		I2S_BCLK1	I2S Bit Clock Channel 1	D-I
	A35	NC	No Connect	NC
	A36	NC	No Connect	NC

MODULE	PIN #	PIN NAME	DESCRIPTION	I/O TYPE	
	A37	I2S_SDOOUT1	I ² S Serial Data OUT Channel 1	D-O	
	A38	I2S_SDIN1	I ² S Serial Data IN Channel 1	D-I	
	B31	I2CS_SCL	I ² C Slave clock	I2C-I/O	
	A39	I2CS_SDA	I ² C Slave data	I2C-O	
	B32	I2CM_SCL	I ² C Master clock	I2C-O	
	A40	I2CM_SDA	I ² C Master data	I2C-I/O	
	B33	GND	GND : Ground	GND	
CLASS_D	A41	CLASS_D-	Class-D Inverting Output	A-O	
	B34	PGND	Ground for Class D BTL Power Stage	GND	
	A42	PVDD	Input Power for CLASS_D BTL Power Stage	A-I	
	B35	CLASS_D+	Class-D Non-Inverting Output	A-O	
DC_DC	A43	BOOST5_SW2	BOOST5 Converter Power Switch Internally connected to pin A44 (BOOST_SW1)	AP-O	
	B36	BOOST5_OUT	BOOST5 Converter Output	AP-O	
	A44	BOOST5_SW1	BOOST5 Converter Power Switch Internally connected to pin A43 (BOOST_SW2)	AP-O	
	B37	BOOST5_GND	Ground for BOOST5 Power Supply	AP-I	
	A45	BUCK1000_FDBK	BUCK2 Converter #2 - Feedback	AP-I	
	B38	BUCK1000_IN	BUCK2 Converter #2 - Input	AP-I	
	A46	BUCK1000_OUT	BUCK2 Converter Output #2 – 1000mA	AP-O	
	B39	BUCK1000_GND	Ground for BUCK2 Converter #2	GND	
	A47	BUCK500_1_FDBK	BUCK1 Converter #1 – Feedback	AP-I	
	B40	BUCK500_1_GND	Ground for BUCK1 Converter #1	GND	
	A48	BUCK500_1_OUT	BUCK1 Converter Output #1 - 500mA	AP-O	
	B41	BUCK500_1_IN	BUCK1 Converter #1 Input	AP-I	
	A49	BUCK500_0_FDBK	BUCK0 Converter #0 feedback	AP-I	
	B42	BUCK500_0_GND	Ground for BUCK0 Converter #0	GND	
	A50	BUCK500_0_OUT	BUCK0 Converter Output #0 - 500mA	AP-O	
	B43	BUCK500_0_IN	BUCK0 Converter #0 Input	AP-I	
	A51	LED_BOOST_VSENSE	LED_BOOST Converter Output Voltage Sense Input to PWM Controller	AP-I	
	B44	LED_BOOST_VIN	LED_BOOST Converter GATE BIAS Supply	AP-I	
	A52	LED_BOOST_ISENSE	LED_BOOST Converter Output Current Sense Input to PWM Controller	AP-I	
	B45	LED_BOOST_GATE	LED_BOOST Converter GATE Drive to Power FET	AP-I	
	A53	NC	No Connect	NC	
	A54	LED_BOOST_GND	Ground for LED_BOOST	AP-I	
	A55	LED_BOOST_SINK1	LED_BOOST Converter Current Sink for LED String #1	AP-I	
	A56	NC	No Connect	NC	
	B46	PSCREF	Power Supply Current Reference	AP-O	
	A57	LED_BOOST_SINK2	LED_BOOST Converter Current Sink for LED String #2	AP-I	
	HOTSWAP	B47	HSCTRL1	Hot Swap Control Input 1	D-I
		A58	HSO1	Hot Swap Output 1	A-O
B48		HSPWR	Hot Swap Switches Power Input	AP-I	
A59		HSO2	Hot Swap Output 2	A-O	
B49		HSCTRL2	Hot Swap Control Input 2	D-I	
CHARGER	A60	CHRG_GND1	Pins A60 & B50 are the Power GND Pins for the Switching Regulator in the Charger. Due to their higher current requirement they are internally tied together & must be connected externally at the PC board also.	A-I	
	B50	CHRG_GND2		A-I	
	A61	CHRG_SW1	Pins A61 & B51 connect to the inductor of the switch-mode step-down regulator for the Battery Charger. Due to their higher current requirement they are internally tied together & must be connected externally at the PC board also.	A-O	
	B51	CHRG_SW2		A-O	
	A62	CHRG_INPUT1	Pins A62 & B52 provide 5V V _{BUS} Input Power from the USB or from an external wall mounted external supply. Due to their higher current requirement they are internally tied together & must be connected externally at the PC board also.	AP-I	
	B52	CHRG_INPUT2		AP-I	
	A63	CHRG_SYSVCC1	Pins A63 & B53 are System VCC Output (V _{sys}). Due to their higher current requirement they are internally tied together & must be connected externally at the PC board also.	A-O	
	B53	CHRG_SYSVCC2		A-O	
	A64	CHRG_BAT1	Pins A64 & B64 form the positive battery lead connection to a single cell Li-Ion/Li-Poly battery. Due to their higher current requirement they are internally tied together & must be connected externally at the PC board also.	AP-I/O	
	B54	CHRG_BAT2		AP-I/O	
	A65	CHRG_CLSEN	Input Current Limit Sense/filtering pin for current limit detection	A-I	
	B55	CHRG_ICHRG	Current setting. Connect to a current sense resistor	AP-I/O	
	A66	CHRG_GATE	Gate Drive for (Optional) External Ideal Diode	A-O	
	B56	CHRG_NTC	Thermal Sense, Connect to a battery's thermistor	A-I	
A67	CHRG_VNTC	NTC Power output. This pin provides power to the NTC resistor string. This output is automatically CHRG_SYSVCC level but only enabled when NTC measurement is necessary to save power.	AP-O		

MODULE	PIN #	PIN NAME	DESCRIPTION	I/O TYPE
	B57	GND_BAT/ADCGND	GND_BAT & ADCGND: Shared analog ground pin for battery charger and ADC.	GND
	A68	DGND	Digital Ground	GND
	B58	POR_OUT	Power-On-Reset Output, Active Low	GPIO-OUT
	A69	SW_DET	Switch Detect Input	GPIO
GPIO_TSC	B59	GPIO1/SW_OUT/PENDOWN	GPIO 1: General Purpose I/O # 1 SW_OUT: Switch Detect Output PENDOWN: PENDOWN Detect Output	GPIO
	A70	GPIO3/LED2	GPIO 3: General Purpose I/O # 3 LED2: Charger LED # 2 Indicates charging complete	GPIO
	B60	GPIO2/LED1	GPIO 2: General Purpose I/O # 2 LED1: Charger LED # 1 Indicates charging in progress	GPIO
	A71	NC	No Connect	NC
	A72	GPIO4/CHRG_ILIM	GPIO 4: General Purpose I/O # 4 CHRG_ILIM: Control the limit of the Charger Pre-Regulator. CHRG_ILIM = 0, limit current to 500mA; CHRG_ILIM = 1, limit current to 1.5A.	GPIO

I/O LEVELS BY TYPE

I/O TYPE	DESCRIPTION
A-I, A-O & A-IO	Analog Levels: Input, Output & Input/Output
AP-I, AP-O & AP-I/O	Power Supply: Input, Output & Input/Output
D-I, D-O	Digital Levels: Input, Output Voltage levels are all digital levels (nominally 3.3V)
GND	Ground: Any connection to Ground
GPIO-IN, GPIO-OUT, GPIO	General Purpose: Input, Output, Input/Output. Inputs are 3.3V Outputs are V_{SYS} with open-drain capable
I2C-I, I2C-O & I2C-IO	I²C: Input, Output & Input/Output Inputs are CMOS Outputs are open-drain.
TCXO-D-I, TCXO-D-O, TCXO-IO	Clock: Input, Output, Input/Output Inputs are 1.8V, Outputs are 1.1V to 1.9V

ABSOLUTE MAXIMUM RATINGS

Stresses above the ratings listed below can cause permanent damage to the P95020. These ratings are stress ratings only. Functional operation of the device at these or any other conditions above those indicated in the operational sections of the specifications is not implied. Exposure to absolute maximum rating conditions for extended periods can affect product reliability. Electrical parameters are guaranteed only over the recommended operating temperature range.

SYMBOL	PARAMETER	CONDITIONS	MIN	MAX	UNIT
CHRG_INPUT to CHRG_GND	USB or Wall Charger Input	Transient $t < 1\text{ms}$, Duty Cycle $< 1\%$	-0.3	7	V
CHRG_BAT to DGND	Battery Input Source		-0.3	5.5	V
CHRG_SYSVCC to DGND	System VCC Output (V _{sys})		-0.3	5.5	V
PVDD to PGND	CLASS_D BTL Input Power		-0.3	6	V
LDO_IN1, IN2, IN3 to DGND	Input voltage for LDO		-0.3	6	V
BUCK500_0_IN to BUCK500_0_GND	BUCK0 Input voltage		-0.3	6	V
BUCK500_1_IN to BUCK500_1_GND	BUCK1 Input voltage		-0.3	6	V
BUCK1000_IN to BUCK1000_GND	BUCK2 Input voltage		-0.3	6	V
FDBK to DGND	BUCK0, 1, 2 feedback voltage		-0.3	6	V
LED_BOOST_VIN to LED_BOOST_GND	LED_BOOST Converter gate bias supply		-0.3	6	V
LED_BOOST_GATE to LED_BOOST_GND	LED_BOOST Converter Gate Drive to Power FET		-0.3	LED_BOOST_VIN + 0.3	V
LED_BOOST_VSENSE to LED_BOOST_GND	Voltage Sense Input		-0.3	LED_BOOST_VIN + 0.3	V
LED_BOOST_ISENSE to LED_BOOST_GND	Current Sense Input		-0.3	LED_BOOST_VIN + 0.3	V
LED_BOOST_SINK to LED_BOOST_GND	Current Sink for LED String #1 or String #2		-0.3	6	V
BOOST5_OUT to BOOST5_GND	BOOST5 Converter Output		-0.3	6	V
BOOST5_SW to BOOST5_GND	BOOST5 Converter Power Switch1 and Switch2		-0.3	6	V
HSPWR to DGND	Hot Swap Switches Power		-0.3	6	V
HSCTRL1, HSCTRL2 to DGND	Input voltage for Hot Swap Control		-0.3	HSPWR + 0.3	V
VDDIO_CK to CKGEN_GND	Power Supply for TCXO_OUT1, TCXO_OUT2		-0.3	2.5	V
TCXO_IN to CKGEN_GND	Input voltage for TCXO_IN		-0.3	VDD_CKGEN18 + 0.3	V
32KHZ_CLKIN to CKGEN_GND	Input voltage for 32KHZ_CLK		-0.3	LDO_LP + 0.3	V
GPIO to DGND	Input voltage for GPIO		-0.3	CHRG_SYSVCC + 0.3	V
SDA, SCL to DGND	Input voltage for I2C Master or Slave		-0.3	CHRG_SYSVCC + 0.3	V
BCLK, WS, SDOOUT, SDIN to DGND	Input voltage for I2S channel 1 or 2		-0.3	LDO_050_0 + 0.3	V
EX_ROM to DGND	External ROM enable		-0.3	CHRG_SYSVCC + 0.3	V
AGND, LDO_GND, CKGEN_GND, GND, PGND, BOOST5_GND, BCUCK500_0_GND, BCUCK500_1_GND, BUCK1000_GND, LED_BOOST_GND, CHRG_GND, GND_BAT/ADCGND to DGND			-0.3	0.3	V
T _A	Operating Ambient Temperature			-40 to +85	°C
T _J	Operating Junction Temperature			-40 to +125	°C
T _S	Storage Temperature			-40 to +150	°C
T _{SOLDER}	Soldering Temperature			260°C for 10 seconds	-

ESD: The P95020 is an ESD (electrostatic discharge) sensitive device. The human body and test equipment can accumulate and discharge electrostatic charges up to 4000 Volts without detection. Even though the P95020 implements internal ESD protection circuitry, proper ESD precautions should be followed to avoid damaging the functionality or performance.

RECOMMENDED OPERATING CONDITIONS

SYMBOL	PARAMETER	CONDITIONS	MIN	TYP	MAX	UNIT
CHRG_INPUT	USB or Wall Charger Input		4.35V		5.5V	V
CHRG_BAT	Battery Input Source	When Vbat providing power	3.0V		4.5V	V
PVDD	CASS_D BTL Input Power Supply		3.0V		5.0V	V
LDO_IN1, IN2, IN3	Input voltage for LDO		3.0V		5.5V	V
BUCK500_0_IN, BUCK500_1_IN, BUCK1000_IN	BUCK0, 1, 2 Input voltage		3.0V		4.5V	V
LED_BOOST_VIN	LED Boost Converter gate bias supply		3.0V		5.5V	V
VDDIO_CK voltage	Power Supply for TCXO_OUT1, TCXO_OUT2		1.1V		1.9V	V
HSPWR	Hot Swap Switches Power Supply	Do not tie to ground or floating	3.0V		5.5V	V
LDO_050_0	Power Supply for I2C Slave Channel, I2S Channel 1 and 2		1.7V		3.6V	V
T _A	Ambient Operating Temperature		-40		85	°C
T _J	Operating Junction Temperature		-40		125	°C

DIGITAL INTERFACES - DC ELECTRICAL CHARACTERISTICS

I2C MASTER - ELECTRICAL CHARACTERISTICS

Unless otherwise specified, typical values at T_A = 25°C, V_{SYS} = 3.8V, V_{LDO_LP} = 3.3V, T_A = -40°C to +85°C

SYMBOL	PARAMETER	CONDITIONS	MIN	TYP	MAX	UNIT
V _{IH}	Input High Voltage		0.7x V _{LDO_LP}		V _{SYS} + 0.3	V
V _{IL}	Input Low Voltage		-0.3		0.3x V _{LDO_LP}	V
V _{OL}	Output Low Voltage (Open Drain)	I _{OL} = 3 mA			0.4	V

I2C SLAVE - ELECTRICAL CHARACTERISTICS

Unless otherwise specified, typical values at T_A = 25°C, V_{SYS} = 3.8V, T_A = -40°C to +85°C

SYMBOL	PARAMETER	CONDITIONS	MIN	TYP	MAX	UNIT
V _{LDO_050_0}	Input Power Supply		1.7		3.6	V
V _{IH}	Input High Voltage		0.7x V _{LDO_050_0}		V _{SYS} + 0.3	V
V _{IL}	Input Low Voltage		-0.3		0.3x V _{LDO_050_0}	V
V _{OL}	Output Low Voltage	I _{OL} = +3 mA			0.4	V

I2S - ELECTRICAL CHARACTERISTICS

Unless otherwise specified, typical values at T_A = 25°C, V_{SYS} = 3.8V, T_A = -40°C to +85°C

SYMBOL	PARAMETER	CONDITIONS	MIN	TYP	MAX	UNIT
V _{LDO_050_0}	Input Power Supply		1.7		3.6	V
V _{IH}	Input High Voltage		0.7x V _{LDO_050_0}		V _{SYS} + 0.3	V
V _{IL}	Input Low Voltage		-0.3		0.3x V _{LDO_050_0}	V
V _{OH}	Output High Voltage	I _{OH} = -1mA, V _{LDO_050_0} = 3.3V	0.9x V _{LDO_050_0}			V
		I _{OH} = -1mA, V _{LDO_050_0} = 2.5V	0.9x V _{LDO_050_0}			V
		I _{OH} = -100uA, V _{LDO_050_0} = 1.8V	V _{LDO_050_0} - 0.2			V
V _{OL}	Output Low Voltage	I _{OL} = 1mA			0.1x V _{LDO_050_0}	V

GPIO - ELECTRICAL CHARACTERISTICS

Unless otherwise specified, typical values at T_A = 25°C, V_{SYS} = 3.8V, V_{LDO_LP} = 3.3V, T_A = -40°C to +85°C

SYMBOL	PARAMETER	CONDITIONS	MIN	TYP	MAX	UNIT
V _{IH}	Input High Voltage		0.7x V _{LDO_LP}		V _{SYS} + 0.3	V
V _{IL}	Input Low Voltage		-0.3		0.3x V _{LDO_LP}	V
V _{OH}	Output High Voltage	I _{OH} = -2mA	0.9x V _{SYS}			V
V _{OL}	Output Low Voltage	I _{OL} = 2mA			0.1x V _{SYS}	V

OVERALL POWER CONSUMPTION

MODE	DESCRIPTION	CHARGE_BAT	TYPICAL CONSUMPTION
Sleep	USB or Wall Adaptor is not present, a main battery is present and well-charged. Always on LDO_LP is on, RTC is on and RTC registers are maintained. Wake-up capabilities (Switch Detect Input) are available.	Vbat = 3.8V	TBD
Standby	USB or Wall Adaptor is not present, a main battery is present and well-charged. Always on LDO_LP is on, all DC-DC Bucks in PFM mode. All LDO's are on, no load.	Vbat = 3.8V	TBD
Touch Controller Standby	USB or Wall Adaptor is not present, a main battery is present and well-charged. Always on LDO_LP is on, touch screen controller is on, LDO_050_0 is on.	Vbat = 3.8V	TBD

AUDIO POWER CONSUMPTION

MODE	CHRG_BAT	LDO_050_0	VDD_AUDIO18	VDD_AUDIO33	PVDD	CHRG_BAT	PVDD	Total Power (mW)
	(V)	(V)	(V)	(V)	(V)	(mA)	(mA)	
Playback to 4Ω speaker, sampling at 96 kHz, no signal	3.3	2.3	1.5	3.0	3.0	52	7	192
	3.8	3.3	1.8	3.3	3.3	60	7	252
	4.2	3.6	1.8	3.6	5.0	60	10	302
Playback to 4Ω speaker, sampling at 96 kHz, 0dB FS 1 kHz signal	3.3	2.3	1.5	3.0	3.0	53	155	640
	3.8	3.3	1.8	3.3	3.3	61	170	793
	4.2	3.6	1.8	3.6	5.0	61	258	1546
Playback to 8Ω speaker, sampling at 48 kHz, no signal	3.3	2.3	1.5	3.0	3.0	52	6	190
	3.8	3.3	1.8	3.3	3.3	59	6	244
	4.2	3.6	1.8	3.6	5.0	59	10	298
Playback to 8Ω speaker, sampling at 48 kHz, 0dB FS 1 kHz signal	3.3	2.3	1.5	3.0	3.0	52	96	460
	3.8	3.3	1.8	3.3	3.3	60	105	575
	4.2	3.6	1.8	3.6	5.0	60	163	1067
Playback to 16Ω headphone, sampling at 96 kHz, no signal	3.3	2.3	1.5	3.0	3.0	54	0	178
	3.8	3.3	1.8	3.3	3.3	58	0	220
	4.2	3.6	1.8	3.6	5.0	60	0	252
Playback to 16Ω headphone, sampling at 96 kHz, 0dB FS 1 kHz signal	3.3	1.7	1.5	3.0	3.0	120	0	396
	3.8	3.3	1.8	3.3	3.3	133	0	506
	4.2	3.6	1.8	3.6	5.0	135	0	567
Playback to 16Ω cap-less headphone, sampling at 96 kHz, no signal	3.3	2.3	1.5	3.0	3.0	55	0	182
	3.8	3.3	1.8	3.3	3.3	60	0	228
	4.2	3.6	1.8	3.6	5.0	62	0	260
Playback to 16Ω cap-less headphone, sampling at 96 kHz, 0dB FS 1 kHz signal	3.3	2.3	1.5	3.0	3.0	122	0	403
	3.8	3.3	1.8	3.3	3.3	135	0	513
	4.2	3.6	1.8	3.6	5.0	137	0	576
Stereo playback bypassing ADC and DAC to Class-D 4Ω speaker, no signal	3.3	2.3	1.5	3.0	3.0	41	7	156
	3.8	3.3	1.8	3.3	3.3	48	7	206
	4.2	3.6	1.8	3.6	5.0	48	10	252
Record mode – Stereo Line-In to ADC0 sampling at 96 kHz, no signal	3.3	2.3	1.5	3.0	3.0	45	0	149
	3.8	3.3	1.8	3.3	3.3	49	0	186
	4.2	3.6	1.8	3.6	5.0	50	0	210
Record mode – Analog microphone I/P to ADC1 sampling at 16 kHz, no signal	3.3	2.3	1.5	3.0	3.0	43	0	142
	3.8	3.3	1.8	3.3	3.3	47	0	179
	4.2	3.6	1.8	3.6	5.0	47	0	198
Record mode – Analog microphone I/P to ADC1 sampling at 96 kHz, no signal	3.3	2.3	1.5	3.0	3.0	45	0	149
	3.8	3.3	1.8	3.3	3.3	49	0	186
	4.2	3.6	1.8	3.6	5.0	50	0	210

1.0 OVERVIEW

The P95020 is an integrated device that combines a microcontroller, power management, battery charging, touch screen controller, system monitoring, clock synthesis, real time clock and audio functionality. All of these subsystems are configured, monitored and controlled by either the on-chip Microcontroller or by an external controller (Application Processor) over an I²C interface. The external Application Processor can monitor and control functions within P95020 even when the internal Microcontroller is enabled. The registers for the various sub functions allow access from more than one controller through an arbitration mechanism implemented in hardware.

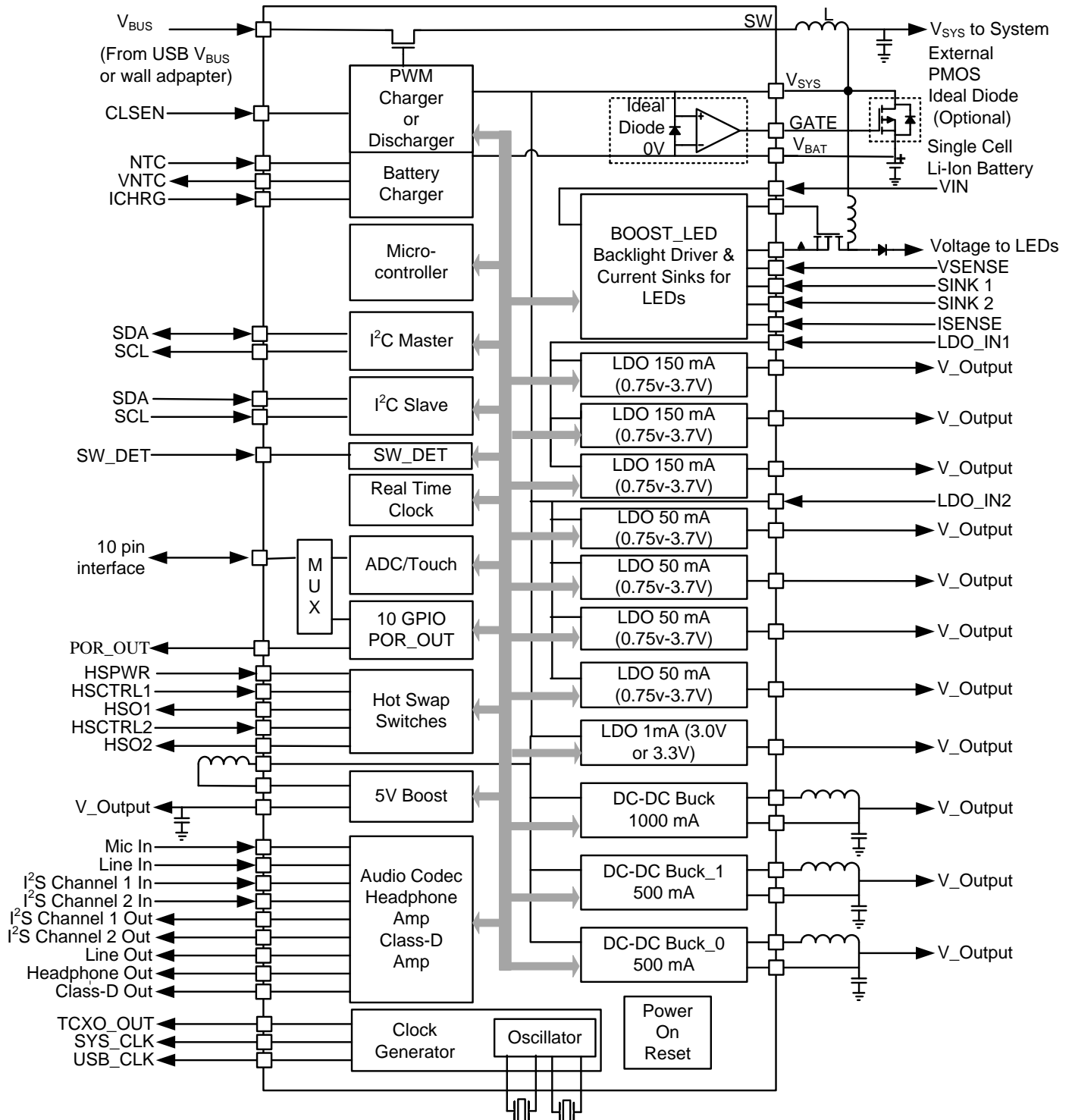


Figure 4– Overall System Functional Diagram.

1.1 FUNCTIONAL MODES

There are two primary functional modes for operation: external processor only or simultaneous internal and external processor operation.

External Processor Control

In this mode of operation the external processor can access all internal registers via the I²C interface and receive interrupts via an interrupt pin, and the internal Microcontroller can be powered down or clock gated off.

Combined Internal and External Processor Operation

In this mode of operation the Microcontroller in the P95020 will function autonomously or semi-autonomously based on the content of the on-board or external ROM. The external Application Processor may or may not perform additional control functions through the I²C bus interface. Individual time-based or event-based interrupts generated inside the P95020 device may be routed internally or externally to be handled separately. All I²C registers can be simultaneously accessed by either the external Application Processor or the internal Microcontroller. Access to the I²C registers is arbitrated via on-chip hardware arbitration.

1.2 REGISTER MAP

All the P95020 control and status registers accessible to the Microprocessor are mapped to a 1024 location address space. This address space maps to:

4 x 256 Bytes of I²C pages for the I²C slave interface

1024 consecutive addresses in the embedded Microprocessor address space

For easy access from the I²C slave interface (by default 256 Bytes oriented) the first 16 registers of each page are global for all the pages.

Each Module is allocated a consecutive address space.

Register address computation: Address = Base Address + Offset Address

The Base addresses (for both I²C and embedded uP) are listed in the following table. The Offset addresses are defined in different functional Modules. The offset address is labeled as "Offset Address" in the Module Register definition sections.

Table 3 – Register Address Global Mapping

Module	Size (Bytes)	Base Address (I ² C)	Base Address (6811 μ P)	Register Definition Location	Module Description
Global Registers	16	Page-x: 000(0x00)	0xA000	Page 120 Section 15.7	Global registers are used by the Access Manager, the first 16 registers of each page are global for all the pages.
ACCM	16	Page-0: 016(0x10)	0xA010	Page 123 Section 15.8	Access manager, including an I ² C slave and bus arbiter
PCON	32	Page-0: 032(0x20)	0xA020	Page 108 Section 13.7.1	Power controller, including registers that control the on/off of the regulators, and control/sense of the GPIO, power states
				Page 64 Section 4.7	Clock Generator Registers
RTC	32	Page-0: 064(0x40)	0xA040	Page 67 Section 5.2	Real Time Clock
LDO	32	Page-0: 096(0x60)	0xA060	Page 127 Section 16.6	Linear regulators, including regulators for external and internal usage
DC_DC	16	Page-0: 128(0x80)	0xA080	Page 74 Section 7.0	Switching regulators and Class-D BTL driver consisting of three bucks, one 5V boost, one white LED driver and one Class-D BTL driver
CHARGER	16	Page-0: 144(0x90)	0xA090	Page 55 Section 3.5	Battery Charger, including a dedicated switching buck regulator, an ideal diode, a precision reference and thermal sensor
GPT	16	Page-0: 160(0xA0)	0xA0A0	Page 71 Section 6.2	General purpose timers
RESERVED	16	Page-0: 176(0xB0)	0xA0B0		RESERVED
ADC_TSC	64	Page-0: 192(0xC0)	0xA0C0	Page 100 Section 12.4	Touch-screen (ADC, pendown detect and switches, temperature and battery voltage monitoring), and GPIOs
AUDIO	240	Page-1: 000(0x00)	0xA100	Page 40 Section 2.15	Audio subsystem, excluding class-D amplifier
CLASS_D_DIG	240	Page-2: 000(0x00)	0xA200	Page 32 Section 2.13	Class-D amplifier digital processing part
RESERVED	240	Page-3: 000(0x00)	0xA300		RESERVED

1.3 BYTE ORDERING AND OFFSET

Most registers are defined within one byte width and occupy one byte in the address space. Some registers occupy more than one byte. Please refer to the individual register descriptions for information on how that register is stored in address space.

1.4 REGISTER ACCESS TYPES

TYPE	MEANING
RW	Readable and Writeable
R	Read only
RW1C	Readable and Write 1 to this bit to clear it (for interrupt status)
RW1A	Readable and Write 1 to this bit to take actions

1.5 RESERVED BIT FIELDS

Bit fields and Bytes labeled *RESERVED* are reserved for future use. When writing to a register containing some *RESERVED* bits, the user should do a “read-modify-write” such that only the bits which are intended to be written are modified.

DO NOT WRITE to registers containing all *RESERVED* bits.

2.0 AUDIO MODULE

FEATURES

- 4 Channels (2 stereo DACs and 2 stereo ADCs) with 24-bit resolution
 - ◆ Supports full-duplex stereo audio
 - ◆ Provides a mono output
- 2.5W mono speaker amplifier @ 4 ohms and 5V
- Stereo cap-less headphone amplifier
- Two digital microphone inputs
 - ◆ Mono or stereo operation
 - ◆ Up to 4 microphones in a system
- High performance analog mixer
- 2 adjustable analog microphone bias outputs

DESCRIPTION

The audio system is a low power optimized, high fidelity, 4-channel audio codec with integrated Class D speaker amplifier, cap-less headphone amplifier. It provides high quality HD Audio capability for handheld applications.

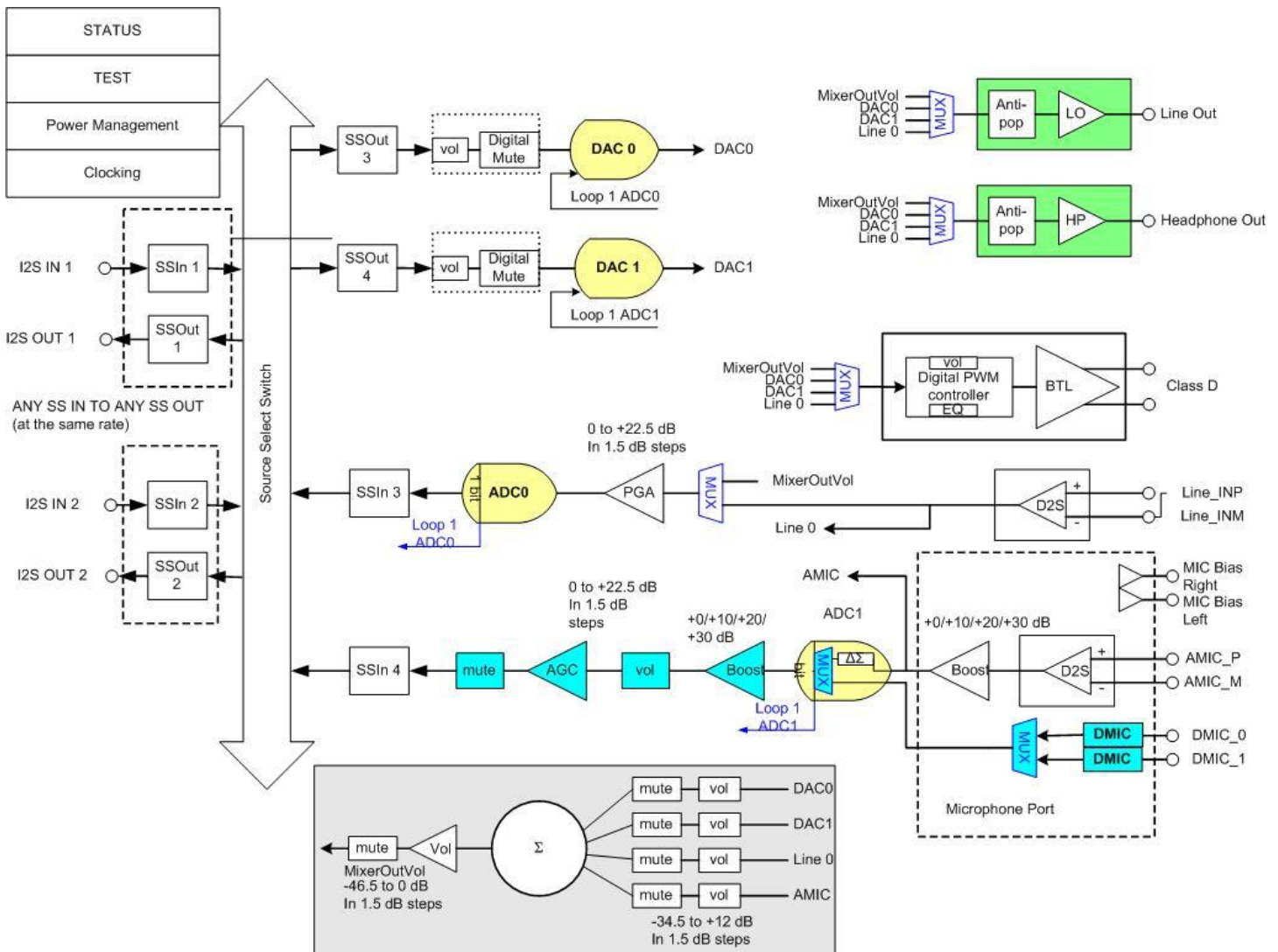


Figure 5 – Audio Block Diagram

2.1 AUDIO - PIN DEFINITIONS

Pin #	PIN_ID	DESCRIPTION
007	MIC_R-	Differential Analog microphone negative input (right channel)
008	MIC_R+/DMICDAT2	Differential Analog microphone positive input (right channel) or second digital microphone data input
009	MICBIAS_R/DMICSEL	Analog microphone supply (right channel) or digital microphone select output (GPO)
010	MICBIAS_L/DMICCLK	Analog microphone supply (left channel) or digital microphone clock output
011	MIC_L+/DMICDAT1	Differential Analog microphone positive input (left channel) or first digital microphone data input

012	MIC_L-	Differential Analog microphone negative input (left channel)
013	AFILT2	ADC filter cap
014	AFILT1	ADC filter cap
015	AGND_MIC	Return path for microphone supply (MICBIAS_L/R)
016	LISLP	Differential Analog Line Level positive input (left channel)
017	LISLM	Differential Analog Line Level negative input (left channel)
018	LISRP	Differential Analog Line Level positive input (right channel)
019	LISRM	Differential Analog Line Level negative input (right channel)
020	LLO_L	Single Ended Line Level Output (Left channel)
021	LLO_R	Single Ended Line Level Output (Right channel)
022	AVREF	Analog reference (virtual ground) bypass cap
023	VDD_AUDIO33	Filter Capacitor for Internal 3.3V Audio LDO
024	ADC_REF	ADC reference bypass cap
025	HP_R	Cap-less headphone output (right channel)
026	HP_L	Cap-less headphone output (left channel)
027	AGND	Analog (audio) return
028	VIRT_GND	Cap-less headphone signal return (virtual ground)

2.2 AUDIO - SECTION OVERVIEW

The Audio section can be divided into seven subsections.

Analog Input Buffer & Converter Block

DAC, ADC

Audio Mixer Block

Analog and Class D Output Blocks

Sub System Control and Interface Blocks

Note: All register settings are lost when power is removed.

2.3 AUDIO - ANALOG PERFORMANCE CHARACTERISTICS

Unless otherwise specified, typical values at $T_A = 25^\circ\text{C}$, $V_{\text{SYS}} = 5\text{V}$, $T_A = -40^\circ\text{C}$ to $+85^\circ\text{C}$, ($V_{\text{CC_AUDIO33}} = 3.3\text{V}$, $V_{\text{DD_AUDIO18}} = 1.8\text{V}$, $\text{AGND} = \text{DGND} = 0\text{V}$, $T_A = 25^\circ\text{C}$; 1 kHz input sine wave, Sample Frequency = 48 kHz, 0 dB = 1 V_{RMS} into 10 k Ω)

PARAMETER	CONDITIONS	MIN	TYP	MAX	UNIT
Full Scale Input Voltage:					
All Analog Inputs except Mic (0 dB gain)			1.0		V rms
Differential Mic Inputs (+30dB gain)			30.0		mV rms
Differentail Mic Inputs (0 dB gain)			1.0		V rms
Full Scale Output Voltage:					
Line Input to Line Output			1.0		V rms
HP Output	Per channel / 16 ohm load		0.707		V rms
PCM (DAC) to LINE_OUT			1.0		V rms
Headphone output power	Per channel / 16 ohm load	45	50	55	mWpk
Analog Frequency Response	± 1 dB limits. The max frequency response is 40 kHz if the sample rate is 96 kHz or more.	10		30,000	Hz
Digital S/N	The ratio of the rms output level with 1 kHz full scale input to the rms output level with all zeros into the digital input. Measured "A weighted" over a 20 Hz to a 20 kHz bandwidth. (AES17-1991 Idle Channel Noise or EIAJ CP-307 Signal-to-noise ratio) – At Line_Out pins.				
D/A PCM (DAC) to LINE_OUT			95		dB
A/D LINE_IN to PCM			90		dB
Dynamic Range: -60dB signal level	Ratio of Full Scale signal to noise output with -60 dB signal, measured "A weighted" over a 20 Hz to a 20 kHz bandwidth.				
LINE_IN to LINE_OUT (direct)			98		dB
LINE_IN to LINE_OUT (mixer)			95		dB
LINE_IN to HP (direct)			90		dB

LINE_IN to HP (mixer)			90		dB
DAC to LINE_OUT			93		dB
LINE_IN to A/D			90		dB
Total Harmonic Distortion:	THD+N ratio as defined in AES17 and outlined in AES6id, non-weighted, at 1 kHz. Tested at -3 dB FS or equivalent for analog only paths. 0 dB gain (PCM data -3 dB FS, analog input set to achieve -3 dB full scale port output level)				
LINE_IN to LINE_OUT (direct)			90		dB
LINE_IN to LINE_OUT (mixer)			80		dB
DAC to LINE_OUT			85		dB
DAC to HP (10 K Ω)			80		dB
DAC to HP (16 Ω)			55		dB
LINE_IN to ADC			80		dB
AMIC to ADC			80		dB
D/A Frequency Response	± 0.25 dB limits. The D/A freq. response becomes 40 kHz with sampling rates > 96 kHz. At ± 3 dB the response range is from 20-22,500 Hz at 48 kHz, or 20-20,000 Hz @ 44.1 kHz or 20-45,000 Hz @ 96 kHz.	18		22,000	Hz
A/D Frequency Response		20		20,000	Hz
Transition Band	Transition band is 40-60% of sample rate.	19,200		28,800	Hz
Stop Band	Stop band begins at 60% of sample rate	28,800			Hz
Stop Band Rejection		85			dB
Out-of-Band Rejection	The integrated Out-of-Band noise generated by the DAC process, during normal PCM audio playback, over a bandwidth 28.8 to 100 kHz, with respect to a 1 V _{rms} DAC output.	45			dB
Power Supply Rejection Ratio (1 kHz)		70			dB
Crosstalk between Input channels				85	dB
DAC Volume/Gain Step Size			0.75		dB
ADC/Mixer Volume/Gain Step Size			1.5		dB
Analog Mic Boost Step Size			10		dB
Input Impedance			50		K
Differential Input Impedance			20		K
Input Capacitance			15		pF
Mic Bias			2.97		V
External Load Impedance		6			k Ω

2.4 AUDIO - MICROPHONE INPUT PORT

The microphone input port supports either analog or digital microphones. The analog and digital modes share pins so only one mode is supported in a typical application.

2.4.1 AUDIO - Analog Microphone Input mode

The Analog Microphone input path consists of:

Stereo Differential Input Analog Microphone Buffer

- ◆ L/R swap
- ◆ Mono or stereo
- ◆ Microphone Bias Generator with 2 independent bias outputs.
- ◆ Microphone Boost Amplifier with selectable gain of 10, 20, or 30dB

The analog microphone interface provides a stereo differential input for supporting common electret cartridge microphones in a balanced configuration (a single-ended configuration is also supported). A boost amplifier provides up to 30dB of gain to align typical microphone full scale outputs to the ADC input range. The microphone input is then routed

to both ADC1 and the analog mixer for further processing. By using the analog mixer the analog microphone input may be routed to ADC0, the line output port or the headphone output port.

2.4.2 AUDIO - Digital Microphone Input mode

The Digital Microphone Input path consists of:

Digital Microphone input buffer and MUX with the following features:

- ◆ One or two microphones per DMICDATx input.
- ◆ Mono data sampled during high or low clock level.
- ◆ L/R swap
- ◆ Versatile DMICSEL output pin for control of digital microphone modules or other external circuitry. (Used primarily to enable/disable microphones that do not support power management using the clock pin.)

The digital microphone interface permits connection of a digital microphone(s) via the DMICDAT1, DMICDAT2, and DMICCLK 3-pin interface. The DMICDAT1 and DMICDAT2 signals are inputs that carry individual channels of digital microphone data to the ADC. In the event that a single microphone is used, the data is ported to both ADC channels. This mode is selected using a register setting and the left time slot is copied to the ADC left and right inputs. The digital microphone input is only available at ADC1.

The DMICCLK output is controllable from 4.704 MHz, 3.528 MHz, 2.352 MHz, 1.176 MHz and is synchronous to the internal master clock (MCLK). The default frequency is 2.352 MHz.

To conserve power, the analog portion of the ADC and the analog boost amplifier will be turned off if the D-mic input is selected. When switching from the digital microphone to an analog input to the ADC, the analog portion of the ADC will be brought back to a full power state and allowed to stabilize before switching from the digital microphone to the analog input. This should take less than 10mS.

The P95020 codec supports the following digital microphone configurations:

Table 4 - Valid Digital Mic Configurations

MODE	DIGITAL MICS	DATA SAMPLE	INPUT	NOTES
0	0	N/A	N/A	No Digital Microphones (1010 bit pattern sent to ADC to avoid pops)
1	2	Double Edge	DMICDAT1	Two microphones connected to DMICDAT1. PhAdj settings apply to Left microphone. Right Microphone sampled on opposite phase. DMICDAT2 ignored.
2	2	Double Edge	DMICDAT2	Two microphones connected to DMICDAT2. PhAdj settings apply to Left microphone. Right Microphone sampled on opposite phase. DMICDAT1 ignored.
3	2	Single Edge	DMICDAT1 and DMICDAT2	DMICDAT1 used for left data and DMICDAT2 used for right data.
3	2	Double Edge	DMICDAT1 and DMICDAT2	Two microphones, one on each data input. "Left" microphone used for each channel. Two "Right" microphones may be used by inverting the microphone clock or adjusting the sample phase.

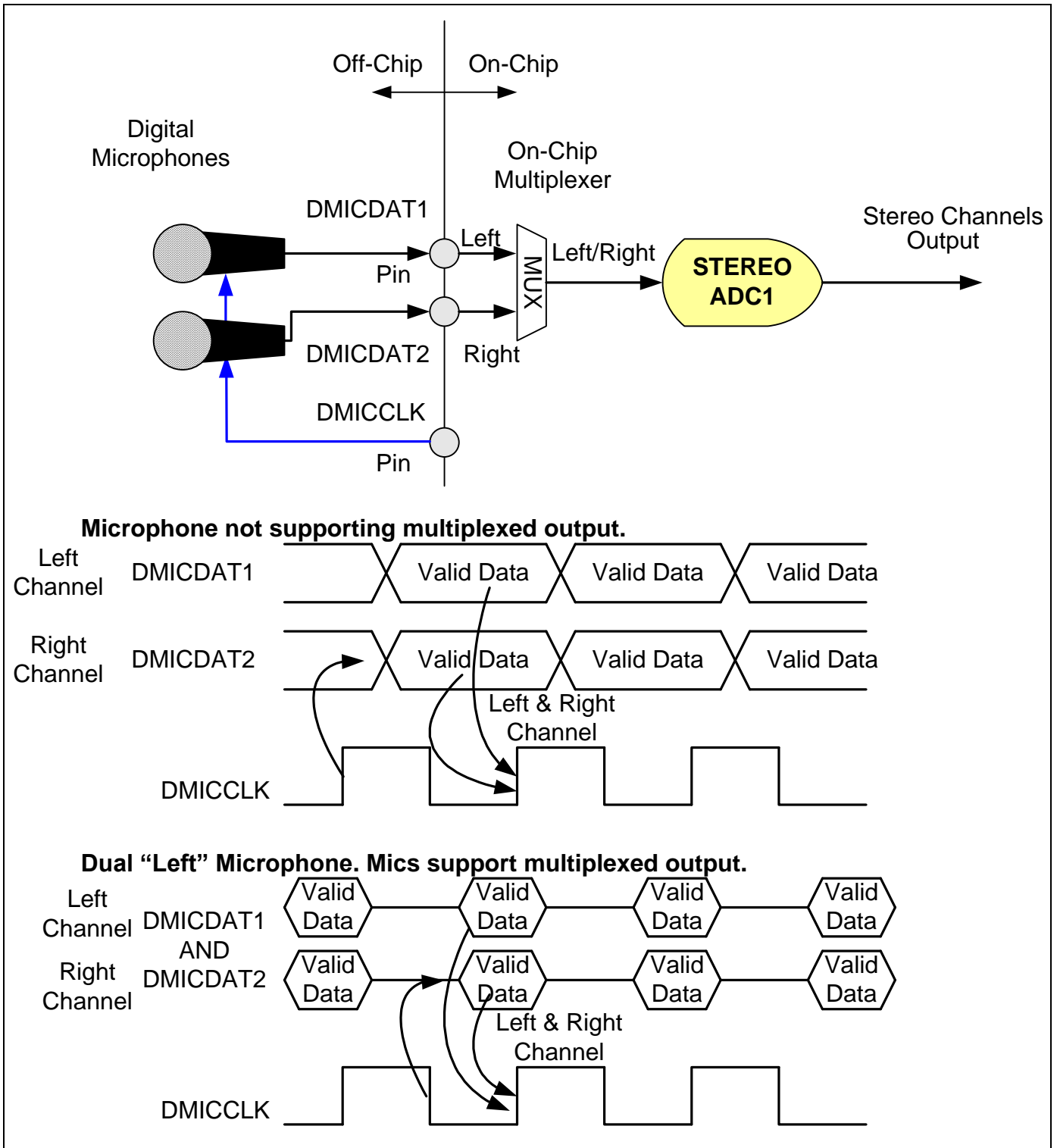


Figure 6 –Stereo Digital Microphone (Mode 3)

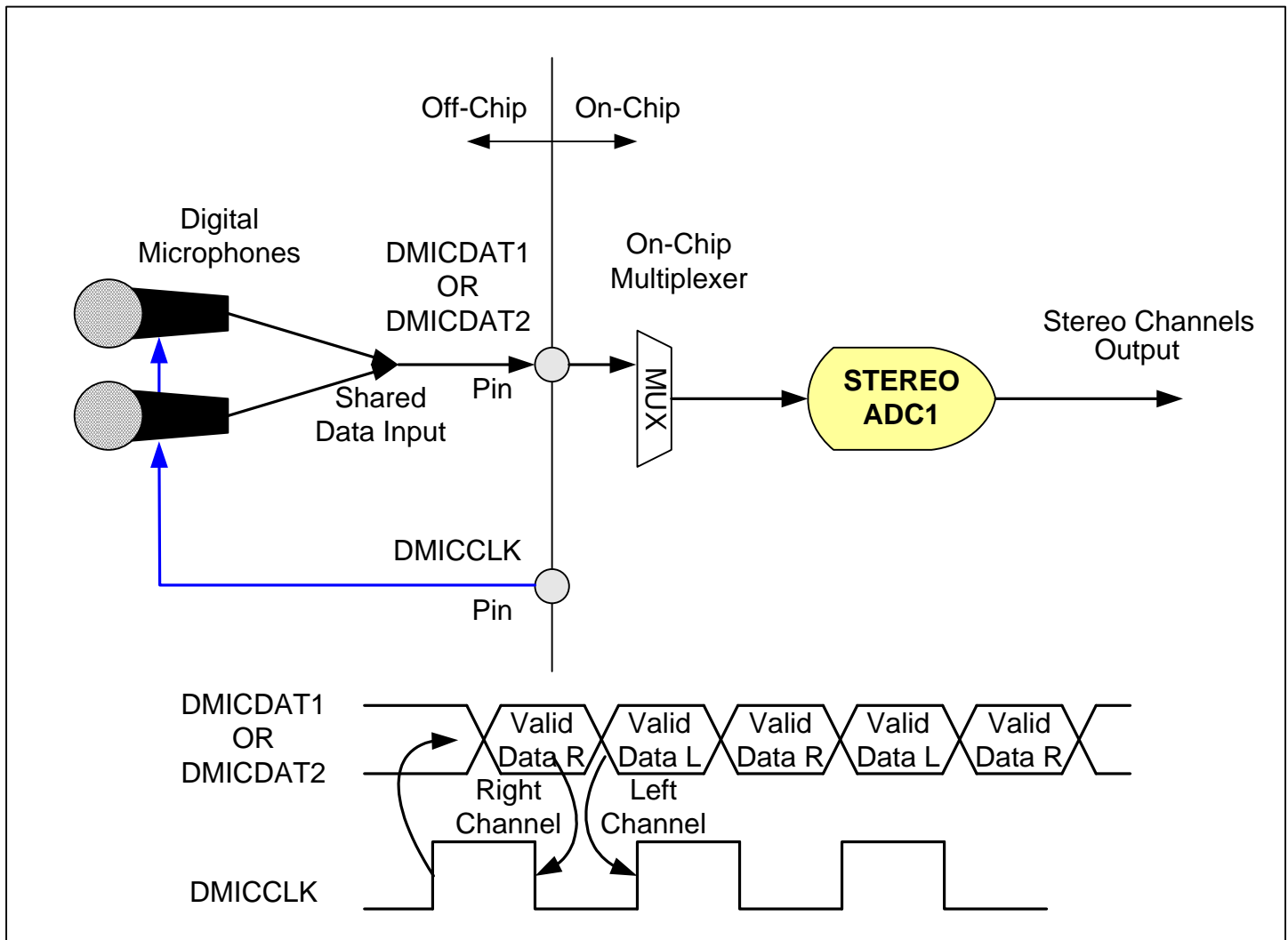


Figure 7 – Stereo Digital Microphone (Mode 1 & 2)

2.5 AUDIO - ANALOG LINE INPUT

The Analog Line Input path consists of a stereo differential input analog buffer that is routed to the analog mixer and ADC0. By using the analog mixer, the analog line input may be routed to ADC0, the line output port or the headphone output port.

2.6 AUDIO - DAC, ADC

There are 2 stereo DACs and 2 stereo ADCs. All converters support sample rates of 8kHz, 11.025kHz, 12kHz, 22.050kHz, 16kHz, 24kHz, 44.1kHz, 48kHz, 88.2kHz, and 96kHz. Word lengths of 16, 20 and 24-bits are selectable.

2.6.1 AUDIO - DAC 0/1

The DAC sample rate and word length are programmed at the I²S input port and the DAC may select either I²S port as the data source.

Digital volume control provides -95.25 dB to 0dB gain in 0.75 dB steps and mute. The output of DAC0 and DAC1 is sent to the analog mixer, the headphone output and the line output.

2.6.2 AUDIO - ADC 0/1

Each ADC includes a high pass filter to remove DC offsets present in the input path. Sample rate, word length, and source ADC are programmed at the I²S output port. If an ADC is selected as the data source for more than one sink (I²S output or DAC) then the rates must be programmed the same at all sinks. If the rates are not identical, then the highest priority sink will dominate (I²Sout1, I²Sout2, and DAC). The other sink will be muted under these circumstances. ADC0

includes an analog amplifier (0-22.5dB gain in 1.5dB steps) and a multiplexer to select between the line input path or the analog mixer output.

Note: there is only 1 L/R clock per I²S I/O port. Therefore the input and output rates for that port match.

2.7 AUDIO - AUTOMATIC GAIN CONTROL

The P95020 incorporates digital automatic gain control in the ADC1 record path to help maintain a constant record level for voice recordings. The AGC maintains the recording level by monitoring the output of the ADC and adjusting the Boost (analog for analog microphone path or digital for digital microphone path) and digital record gain to compensate for varying input levels. While the AGC is enabled, the digital record gain and boost register values are ignored.

The AGC target level may be set from -1.5 dB to -22.5 dB relative to the ADC full scale output code in 1.5 dB steps. The maximum gain allowed may be programmed to prevent the AGC from using the entire gain range. The AGC may be applied to either both channels or only the right or left channel. The AGC uses both channels to determine proper record level unless only one channel is selected. When only one channel is enabled, the other channel is ignored and that channel's gain is controlled by its record gain and boost register values.

Delay time is the amount of delay between when the peak record level falls below the target level and when the AGC starts to adjust gain. The delay time may be set from 0 ms to 5.9 seconds in 16 steps. Each step is twice as long as the previous step where 0 is the first step.

Each additional step may be calculated by:

$$((8 \cdot 2^n) / 44100) \text{ seconds}$$

where n is the register value from 1 to 15

Decay time is the time that the AGC takes to ramp up across its gain range. The time needed to adjust the recording level depends on the decay time and the amount of gain adjustment needed. If the input level is close to the target level then a relatively small gain adjustment will be needed and will take much less than the programmed decay time. Decay time is adjustable from 23.2 ms to 23.8 seconds and may be calculated as $(2^{n+10} / 44100)$ where n is the register value from 0 to 10. Register values above 10 set the decay to 23.8 seconds.

Attack time is the time that it takes the AGC to ramp down across its gain range. As with the decay time, the actual time needed to reach the target recording level depends on the attack time and the gain adjustment needed. The attack time is adjustable from 5.8 ms to 5.9 seconds and may be calculated as $(2^{n+8} / 44100)$ where n is the register value from 0 to 10. Register values above 10 set the decay to 5.9 seconds.

The P95020 also provides a peak limiter function. When the AGC is on, quiet passages will cause the gain to be set to the maximum level allowed. When a large input signal follows a quiet passage, many samples will become clipped as the AGC adjusts the gain to reach the target record level. Long attack times aggravate this situation. To reduce the number of clipped samples the peak limiter will force the attack rate to be as fast as possible (equivalent to zero (0) value in the attack register) until the record level is 87.5% of full scale or less.

To prevent excessive hiss during quiet periods, a signal threshold level may be programmed to prevent the AGC circuit from increasing the gain in the absence of audio. This is often referred to as a 'noise gate' or 'squelch' function. The signal threshold may be programmed from -72 dB FS to -24 dB FS in 1.5 dB increments.

Under some circumstances, it is desirable to force a minimum amount of gain in the record path. When the AGC is in use, the minimum gain may be set from 0 to 30 dB to compensate for microphone sensitivity or other needs.

2.8 AUDIO - ANALOG MIXER BLOCK

The Audio subsection implements an analog mixing block for use as an input or output mixer.

The Audio Mixer Block consists of:

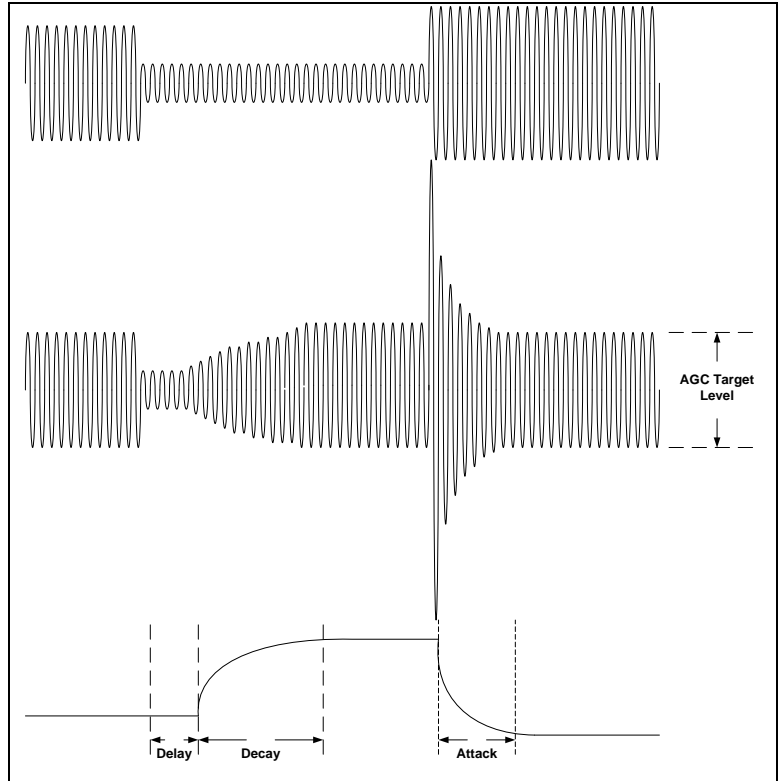


Figure 8 – Automatic Gain Control

Input Volume Controls

DAC0

DAC1

Line Input

Analog Mic (in analog mic mode only.)

Master Volume Control

The analog mixer has 4 input sources. Each input has an independent volume control that provides gain from -34.5 dB to +12 dB (1.5 dB steps) and mute. After mixing, the output may be attenuated up to 46.5 dB (1.5 dB steps) before being sent to ADC0, the headphone output port and the line output port.

2.9 AUDIO - DIGITAL AUDIO INPUT/OUTPUT INTERFACE

The Digital Audio Input/ Output Interface consists of:

Dual I²S input/output interface with independent bit rate/depth

Each I²S input/output pair will operate at same bit rate/depth

MCLK is shared and may be programmed for 64, 128, 256, or 384 times the base rate (44.1 kHz or 48 kHz)

The MCLK is used to align the I²S port signals to the host.

PCON Register – MCLK_CFG: I²C Address = Page-0: 55(0x37), μ C Address = 0xA037

Bit	Bit Name	Default Settings	User Type	Value	Description / Comments
[2:0]	MCLK_RATE	000b	RW		Only meaningful when MCLK_SEL bit is set. See table below.
3	MCLK_DIV2	0b	RW		Only meaningful when MCLK_SEL bit is set. See table below.
4	MCLK_FROM_I2S	0b	RW	0 = MCLK to audio selected from GPIO9 pin 1 = MCLK to audio selected from I2S_BCLK2 pin	
5	MCLK_REMAP_EN	0b	RW	0 = MCLK is selected from MCLK I/O 1 = MCLK is selected from I2S or GPIO9 pin	MCLK I/O does not bond out due to pin-count constraint
6	RESERVED	0b	RW		RESERVED
7	MCLK_SEL	0b	RW	0 = Audio clock source from 48 MHz clock from CLKGEN 1 = Audio Clock source from MCLK	MCLK source selection

Table 5 - MCLK Rate selection: MCLK_DIV2: MCLK_RATE

MCLK_DIV2:MCLK_RATE[2:0]	MCLK Input frequency	Comments
00xx	12.288M	
0100	11.2896M	
0101	18.432M	
0110	16.9344	
0111	12M	
10xx	24.576M	
1100	22.5792M	
1101	36.864M	
1110	33.8688M	
1111	24M	

Table 6 – MCLK/Sample Rate

Mclk (div = 0)	Mclk (div = 1)	Sample Rate	USB Mode	Mclk/Sample Rate
12.288MHz	24.576MHz	96KHz	0	128
		48KHz		256
		24KHz		512
		16KHz		768
		12KHz		1024
		8KHz		1536
11.2896MHz	22.5792MHz	88.2KHz		128
		44.1KHz		256
		22.050KHz		512
		11.025KHz		1024
18.432MHz	36.864MHz	96KHz		192
		48KHz		384
		24KHz		768
		16KHz		1152
		12KHz		1536
		8KHz		2304
16.9344MHz	33.8688MHz	88.2KHz		192
		44.1KHz		384
		22.050KHz		768
		11.025KHz		1536
12.000MHz	24.000MHz	96KHz	1	125
		48KHz		250
		24KHz		500
		16KHz		750
		12KHz		1000
		8KHz		1500
		88.2KHz		20000/147
		44.1KHz		40000/147
		22.050KHz		80000/147
		11.025KHz		160000/147

Two independent serial digital I/O ports provide access to the internal converters. Each port provides a stereo input and output with shared clocks. The ports support slave mode operation only (clocks supplied by host). Each port may be programmed for 8 kHz, 11.025 kHz, 12 kHz, 16 kHz, 22.050 kHz, 24 kHz, 44.1 kHz, 48 kHz, 88.2 kHz or 96 kHz operation. I²S, Left justified and Right justified formats support 16, 20 and 24-bit word lengths.

2.10 AUDIO - REFERENCE VOLTAGE GENERATOR, BUFFER, & FILTERING CAPS

AVREF

The AVREF pin is part of the internal virtual ground reference generator. A capacitor placed between AVREF and AGND is necessary for acceptable power supply rejection and anti-pop performance. A capacitor of 10 μ F is recommended to provide about a 10 second ramp-up time.

ADCREF

The ADC reference also requires a capacitor of at least 1 μ F for proper operation.

AFILT

ADC1 augments its internal filter capacitors with external filter capacitors to reduce noise outside of the audio band before sampling. 1000 pF capacitors connected from the AFILT1 and AFILT2 pins to AGND are recommended but larger capacitors may be used if reduced signal bandwidth is acceptable. Process variation will cause bandwidth to vary from part to part. A 1000 pF capacitor will place the filter pole far outside of the 20 kHz bandwidth supported so that the ± 1 dB 20 kHz bandwidth limit is guaranteed.

2.11 AUDIO - ANALOG AND CLASS D OUTPUT BLOCK

The Audio subsection provides support for line level, headphone and speaker outputs.

The analog line output port features a source MUX and single ended output buffer designed to drive high impedance loads. This port has selectable 0/3/6 db gain for -6 dBV, -3 dBV or 0 dBV DAC output levels respectively. The Cap-less Stereo Headphone Output port is similar to the line level output port but can drive 32 ohm headphones and may operate without DC blocking capacitors by connecting the physical headphone's ground return to the VIRT_GND pin.

A CLASS_D Mono BTL Output and Class D Stereo Processor w/ digital volume control (See CLASS_D section for more information) provides up to 2.5 W of output power into a 4 ohm speaker.

The line output port, headphone port and CLASS_D BTL Power Output can select from the mixer, DAC0, DAC1 or the line input (LINE_IN). The line input selection is intended for very low power LINE_IN to LINE_OUT pass-thru when VDD_AUDIO33 and VDD_AUDIO18 power on, and config LINE_OUT_SCTRL (Setting 2h, see Section 2.15.24) to select LINE_OUT from LINE_IN.

2.12 AUDIO - CLASS-D BTL AMPLIFIER

P95020 implements a digital Class-D 2.5W (4 Ω) BTL amplifier which supports both 8 Ω and 4 Ω loads. Gain for the BTL amplifier is programmable from -91 dB to +36 dB in 0.5 dB steps using the Volume 0/1 registers. Gain changes and mute may be applied immediately, on zero crossing or ramped from the current to target value slowly. These settings are controlled using the Gain Control HI/LO registers.

2.12.1 AUDIO - EQ

There are 5 bands of parametric EQ (bi-quad) per channel. Due to the flexibility of the bi-quad implementation, each filter band may be configured as a high-pass, low-pass, band-pass, high shelving, low shelving or other function.

Each band has an independent set of coefficients. A bi-quad filter has 6 coefficients. One coefficient is normalized to 1 and 5 are programmed into the core. Each band supports up to +15 dB boost or up to -36 dB cut.

2.12.2 AUDIO - Coefficients

The following equations describe each filter band. The fundamental equation is a bi-quadratic of the form:

$$H(z) = \frac{b0 + b1z^{-1} + b2z^{-2}}{a0 + a1z^{-1} + a2z^{-2}}$$

Rearranging slightly we can see that normalizing a0 or b0 can reduce the number of stored coefficients.

$$H(z) = \left(\frac{b0}{a0} \right) \times \frac{1 + \frac{b1}{b0}z^{-1} + \frac{b2}{b0}z^{-2}}{1 + \frac{a1}{a0}z^{-1} + \frac{a2}{a0}z^{-2}}$$

Implementation generally takes the form:

$$y[n] = \left(\frac{b0}{a0} \right) x[n] + \left(\frac{b1}{a0} \right) x[n-1] + \left(\frac{b2}{a0} \right) x[n-2] - \left(\frac{a1}{a0} \right) y[n-1] - \left(\frac{a2}{a0} \right) y[n-2]$$

It can be seen that 5 coefficients are needed, and if a0 is set to 1 then only b0, b1, b2, a1, and a2 are needed. To compensate for the total gain realized from all 5 bands the EQ amplitude is adjusted to prevent saturation. Each channel has an inverse gain coefficient that is used to compensate for the gain in the EQ bands. So, for 5 bands/channel with 5 coefficients/band + inverse gain/channel, there are a total of 52 values needed.

These values are pre-calculated and programmed into RAM before use. The default values should be benign such as an all-pass implementation, but it is permissible to implement other transfer functions.

2.12.3 AUDIO - Software Requirements

The EQ must be programmed before enabling (bypass turned off). {Coefficients are random at power-on.}

When changing coefficients, the EQ must be bypassed before programming. Muting the path is not sufficient and may not prevent issues. Changing coefficients while the filter is in use may cause stability issues, clicks and pops, or other problems.

All coefficients are calculated by software. Software must verify amplifier stability. Programming incorrect coefficients can cause oscillation, clipping, or other undesirable effects. After calculating coefficients, software must calculate the inverse gain (normalize the response) for each channel (Left and Right) to prevent saturation or inadequate output levels. All values are then either programmed directly into the device or stored in a table for use in a configuration file or firmware.

2.13 AUDIO CLASS_D - REGISTERS

The Audio Class-D Module can be controlled and monitored by writing 8-bit control words to the various Registers.

The Base addresses are defined in [Table 3 – Register Address Global Mapping](#) on page 20.

2.13.1 AUDIO CLASS_D – RESERVED Registers

These registers are reserved. Do not write to them.

I²C Address = Page-2: 26(0x1A), μ C Address = 0xA21A
 I²C Address = Page-2: 27(0x1B), μ C Address = 0xA21B
 I²C Address = Page-2: 37(0x25), μ C Address = 0xA225
 I²C Address = Page-2: 47(0x2F), μ C Address = 0xA22F
 I²C Address = Page-2: 49(0x31), μ C Address = 0xA231
 thru Page-2: 53(0x35), μ C Address = 0xA235
 I²C Address = Page-2: 64(0x40), μ C Address = 0xA240
 thru Page-2: 255(0xFF), μ C Address = 0xA2FF

2.13.2 AUDIO CLASS_D – ID HI & LO Registers

This 24 bit read-only register contains a unique ID for each block.

ID_HI: I²C Address = Page-2: 16(0x10), μ C Address = 0xA210
 ID_LO: I²C Address = Page-2: 17(0x11), μ C Address = 0xA211

Bit	Bit Name	Default Setting	User Type	Value	Description / Comments
[15:0]	ID	4D52h	R		Unique identifier

2.13.3 AUDIO CLASS_D – VERSION HI & LO Registers

This 24 bit read-only register contains a unique version identifier for each block.

VERSION_HI: I²C Address = Page-2: 18(0x12), μ C Address = 0xA212
 VERSION_LO: I²C Address = Page-2: 19(0x13), μ C Address = 0xA213

Bit	Bit Name	Default Setting	User Type	Value	Description / Comments
[15:0]	VERSION	0100h	R		Bits[15:8] updated on major RTL code change. Bits[7:4] updated on minor RTL code change. Bits[3:0] updated on metal layer bug fix.

2.13.4 AUDIO CLASS_D – STATUS Registers

These are read-only status registers which provide feedback on the operation of the DSP Filtering functions

STATUS0: I²C Address = Page-2: 20(0x14), μ C Address = 0xA214

Bit	Bit Name	Default Settings	User Type	Value	Description / Comments
[3:0]	fs_clk_synced_loss_cnt 0	0h	R		Count of the number of times synchronization to i_den is lost since last initialize.
[6:4]	den_jitter	000b	R		latched max value of i_den jitter detected after fs_clk_synced. Cleared on initialize. How many fclks is i_den for ch0 jittering between samples.
7	fs_clk_synced	0b	R		1 = Input sample rate (i_den for ch0) is properly locked to fclk (within tolerance).

STATUS1: I²C Address = Page-2: 21(0x15), μ C Address = 0xA215

Bit	Bit Name	Default Settings	User Type	Value	Description / Comments
[7:0]	fclks_per_ch0_in_ sample	00h	R		Multiply this value by 32 to get the number of fclks between each ch0 input data sample. Knowing the fclk frequency you can then determine sample rate. Also useful in making sure there are enough fclks to allow the DSP filtering processes to complete before the next input sample.

STATUS2: I²C Address = Page-2: 22(0x16), μ C Address = 0xA216

Bit	Bit Name	Default Settings	User Type	Value	Description / Comments
0	zerodet_flag	0b	R		set when input zero detect of long string of zeros.
1	limit1	0b	R		1 = set if regz saturation after gain multiply for ch0. May change on a sample by sample basis.
2	limit1	0b	R		1 = set if regz saturation after gain multiply for ch0. May change on a sample by sample basis.
[5:3]	RESERVED	000b	R		RESERVED
6	limit0latch	0b	R		Latched version of limit0, clear via GAINCTRL[7].
7	limit1latch	0b	R		Latched version of limit1, clear via GAINCTRL[7].

STATUS3: I²C Address = Page-2: 23(0x17), μ C Address = 0xA217

Bit	Bit Name	Default Settings	User Type	Value	Description / Comments
0	timing_error	0b	R		Set if DSP filtering processes didn't finish before the next input data sample. Cleared on initialize.
[7:1]	RESERVED	0000000b	R		RESERVED

2.13.5 AUDIO CLASS_D – CONFIG Registers

This 16 bit control register primarily controls operation of the DSP Filter block.

CONFIG0: I²C Address = Page-2: 24(0x18), μ C Address = 0xA218

Bit	Bit Name	Default Settings	User Type	Value	Description / Comments
0	eapd	1b	RW		1 = force External Amp Power Down (EAPD) output to ON.
1	mute	0b	RW		1 = Mute all channels
2	Initialize	0b	RW		1 = initialize/soft reset datapath, CSRs not reset
3	offset180	0b	RW		1 = PWM ch1 offset from ch 0 by 180deg, 0 = 90deg
4	debug_sel_ns	0b	RW		1 = debug output is from NS/PWM, 0 = NS input
5	eapd_polarity	1b	RW		1 = invert eapd
6	RESERVED	0b	RW		RESERVED
7	swap_pwm_ch	0b	RW		1 = swap ch0/1 on filter output to Noise Shaper

CONFIG1: I²C Address = Page-2: 25(0x19), μ C Address = 0xA219

Bit	Bit Name	Default Settings	User Type	Value	Description / Comments
0	dc_bypass	0b	RW		1 = bypass DC Filter
[2:1]	fira_ratio	01b	R	00 = interpolate by 2 01 = bypass 10 = decimate by 2 11 = reserved	Fira ratio
3	firb_bypass	0b	RW		1 = bypass firb interpolation
4	firc_bypass	0b	RW		1 = bypass firc interpolation
5	eq_bypass	1b	RW		1 = bypass equalization filter (must init EQRAM)
6	prescale_bypass	1b	RW		1 = bypass EQ prescaler (must init EQRAM)
7	RESERVED	0b	RW		RESERVED

2.13.6 AUDIO CLASS_D – PWM Registers

This is a 32-bit register = {PWM3, PWM2, PWM1, PWM0}.

PWM3: I²C Address = Page-2: 28(0x1C), μ C Address = 0xA21C

PWM2: I²C Address = Page-2: 29(0x1D), μ C Address = 0xA21D

PWM1: I²C Address = Page-2: 30(0x1E), μ C Address = 0xA21E

PWM0: I²C Address = Page-2: 31(0x1F), μ C Address = 0xA21F

Bit	Bit Name	Default Settings	User Type	Value	Description / Comments
0	RESERVED	0b	RW		RESERVED
1	RESERVED	0b	RW		RESERVED
2	fourthorder	1b	RW		1 = 4th order binomial filter, 0 = 3rd order, noise improve of 6dB by setting this bit to 0
3	RESERVED	0b	RW		RESERVED
4	roundup	1b	RW		1 = roundup, 0 = truncate for quantizer
5	clk320mode	1b	RW		1 = PCA clock mode, pclk = 2560*Fs, 0 = 2048*Fs
[7:6]	RESERVED	00b	RW		RESERVED
8	RESERVED	0b	RW		RESERVED
9	RESERVED	0b	RW		RESERVED
[14:10]	Dithpos	00000b	RW		Dither position
15	RESERVED	0b	RW		RESERVED
16	RESERVED	1b	RW		RESERVED
17	pwm_outflip	0b	RW		1 = swap pwm a/b output pair for all channels
[23:18]	dvalue	011000b	RW		dvalue constant field
[29:24]	cvalue	001010b	RW		tristate constant field, must be even and not 0
[31:30]	outctrl	00b	RW		pwm output muxing, 0 = normal, 1 = swap 0/1, 2 = ch0 on both, 3 = ch1 on both

2.13.7 AUDIO CLASS_D – LMTCTRL Register

Controls operation of the Volume Limiter (Compressor).

LMTCTRL: I²C Address = Page-2: 32(0x20), μ C Address = 0xA220

Bit	Bit Name	Default Settings	User Type	Value	Description / Comments
0	limiter_en	0b	RW		1 = enable limiter (compressor)
[2:1]	stepsize	00b	RW	0 = 0.5 dB 1 = 1.0 dB 2 = 2.0 dB 3 = 4.0 dB	Gain stepsize when incrementing or decrementing:
3	zerocross	0b	RW		1 = only change limiter gain value on zero cross.
[7:4]	RESERVED	0000b	RW		RESERVED

2.13.8 AUDIO CLASS_D – LMTATKTIME Register

Controls operation of the Volume Limiter (Compressor) Attack Time.

LMTATKTIME: I²C Address = Page-2: 33(0x21), μ C Address = 0xA221

Bit	Bit Name	Default Settings	User Type	Value	Description / Comments
[6:0]	time	0000000b	RW		Timer value in units of 1 ms or 10 ms.
7	time10ms	0b	RW	0 = value in bits [6:0] is in 1 ms units 1 = value in bits [6:0] is in 10 ms units	1 = value in bits 6:0 is in 10ms units, otherwise 1ms units.

2.13.9 AUDIO CLASS_D – LMTRELTIME Register

Controls operation of the Volume Limiter (Compressor) Release Time.

LMTRELTIME: I²C Address = Page-2: 34(0x22), μ C Address = 0xA222

Bit	Bit Name	Default Settings	User Type	Value	Description / Comments
[6:0]	time	0000000b	RW		Timer value in units of 1 ms or 10 ms.
7	time10ms	0b	RW	0 = value in bits [6:0] is in 1 ms units 1 = value in bits [6:0] is in 10 ms units	1 = value in bits 6:0 is in 10ms units, otherwise 1ms units.

2.13.10 AUDIO CLASS_D - GAINCTRL Registers

This is a 16-bit register = {GAINCTRL_HI, GAINCTRL_LO}.

GAINCTRL_HI: I²C Address = Page-2: 35(0x23), μ C Address = 0xA223

GAINCTRL_LO: I²C Address = Page-2: 36(0x24), μ C Address = 0xA224

Bit	Bit Name	Default Settings	User Type	Value	Description / Comments
0	mute_mode	1b	RW	0 = soft mute 1 = hard mute	Mute After Reset
1	change_mode	0b	RW	0 = change on zero cross 1 = change gain immediately	Gain Change Mode
2	auto_mute	1b	RW	0 = Don't Auto Mute 1 = Auto Mute	Auto Mute if long string of zeros detected on input
3	disable_gain	0b	RW	0 = Don't Disable 1 = Disable	Disable All Gain Functions (Bypass Gain Multiply)
4	stepped_change	0b	RW	0 = Don't Step 1 = Step	Step Volume Progressively to New Setting
5	step_10ms	0b	RW	0 = 1 ms 1 = 10 ms	Units for step_time Value
6	RESERVED	0b	RW		RESERVED
7	clr_latch	0b	RW	0 = Don't Clear 1 = Clear Limit	1 = clear limit 0/1 latches, see STATUS2 reg
[10:8]	step_time	101b	RW	0 = 1 units 1 = 2 units 2 = 4 units 3 = 8 units 4 = 16 units 5 = 32 units 6 = 64 units 7 = 128 units	Step time units = 1 << step_time Unit range is defined in GAINCTRL_LO, bit 5
[12:11]	zerodetlen	10b	RW	0 = 512 Samples 1 = 1k Samples 2 = 2k Samples 3 = 4k Samples	Enable mute if input consecutive zeros exceeds this length.
[15:13]	RESERVED	000b	RW		RESERVED

2.13.11 AUDIO CLASS_D - MUTE Register

Enable mute individually per channel via this register. Global mute is available via CONFIG0[1].

MUTE: I²C Address = Page-2: 38(0x26), μ C Address = 0xA226

Bit	Bit Name	Default Settings	User Type	Value	Description / Comments
0	mute0	0b	RW	0 = Don't Mute 1 = Mute	Mute Channel 0
1	mute1	0b	RW	0 = Don't Mute 1 = Mute	Mute Channel 1
[7:2]	RESERVED	000000b	RW		RESERVED

2.13.12 AUDIO CLASS_D – ATTEN Register

This is the master attenuation which is applied to all channels.

ATTEN: I²C Address = Page-2: 39(0x27), μ C Address = 0xA227

Bit	Bit Name	Default Settings	User Type	Value	Description / Comments
[7:0]	ATTEN	00h	RW	00h = 0 dB 01h = -0.5 dB 02h = -1.0 dB ... 47h = -35.5 dB 48h = -36.0 dB 49h = -36.5 dB ... FEh = -127 dB FFh = Hard Master Mute	Attenuation. Each bit represents 0.5 dB of attenuation to be applied to the channel. The range will be from 127 dB to 0 dB.

2.13.13 AUDIO CLASS_D - VOLUME0/1 Register

There is one 8-bit Channel Volume Control Register for each channel. Each bit represents 0.5 dB of gain or attenuation to be applied to the channel. The range is from -91 dB to + 36 dB.

Left Channel (0) = I²C Address = Page-2: 40 (0x28), μ C Address = 0xA228

Bit	Bit Name	Default Settings	User Type	Value	Description / Comments
[7:0]	Volume0	48h	RW	00h = +36.0 dB 01h = +35.5 dB ... 47h = +0.5 dB 48h = +0 dB 49h = -0.5 dB ... FEh = -91 dB FFh = Hard Channel Mute	Channel 0 Volume

Right Channel (1) = I²C Address = Page-2: 41 (0x29), μ C Address = 0xA229

Bit	Bit Name	Default Settings	User Type	Value	Description / Comments
[7:0]	Volume1	48h	RW	00h = +36.0 dB 01h = +35.5 dB ... 47h = +0.5 dB 48h = +0 dB 49h = -0.5 dB ... FEh = -91 dB FFh = Hard Channel Mute	Channel 1 Volume

2.13.14 AUDIO CLASS_D –LMTHOLDTIME Register

Controls operation of the Volume Limiter (Compressor) Hold Time.

LMTHOLDTIME: I²C Address = Page-2: 42 (0x2A), μ C Address = 0xA22A

Bit	Bit Name	Default Settings	User Type	Value	Description / Comments
[6:0]	time	0000000b	RW		Timer value in units of 1 ms or 10 ms.
7	time10ms	0b	RW	0 = value in bits [6:0] is in 1 ms units 1 = value in bits [6:0] is in 10 ms units	1 = value in bits 6:0 is in 10ms units, otherwise 1ms units.

2.13.15 AUDIO CLASS_D – LMTATKTH & LMTRELTH Registers

These 16-bit registers set the threshold values. When in attack phase and the Attack Threshold is exceeded the Compressor attenuation is incremented by 'stepsize' (see LMTCTRL). When in release phase and the Release Threshold is not exceeded, the Compressor attenuation is incremented by 'stepsize' (but not above 0).

LMTATKTH_HI: I²C Address = Page-2: 43 (0x2B), μ C Address = 0xA22B

LMTATKTH_LO: I²C Address = Page-2: 44 (0x2C), μ C Address = 0xA22C

LMTRELTH_HI: I²C Address = Page-2: 45 (0x2D), μ C Address = 0xA22D

LMTRELTH_LO: I²C Address = Page-2: 46 (0x2E), μ C Address = 0xA22E

Bit	Bit Name	Default Settings	User Type	Value	Description / Comments
[7:0]	threshold[7:0]	00h	RW		Always 0. It usually isn't necessary to provide threshold resolution to the point where these lower 8 bits would be used.
[15:8]	threshold[15:8]	00h	RW		FFh would equal threshold level of +2.0dB. Each step below this 8 bit full scale value reduces threshold level by 0.0078 dB.

2.13.16 AUDIO CLASS_D - DC_COEF_SEL Register

Select bit coefficient for DC Filter.

DC_COEF_SEL: I²C Address = Page-2: 48(0x30), μ C Address = 0xA230

Bit	Bit Name	Default Settings	User Type	Value	Description / Comments
[2:0]	DC_COEF_SEL	101b	RW	0 = 24'h100000; // 2 ⁻³ = 0.125 1 = 24'h040000 2 = 24'h010000 3 = 24'h004000 4 = 24'h001000 5 = 24'h000400 6 = 24'h000100; // 2 ⁻¹⁵ = 0.00030517 7 = 24'h000040; // 2 ⁻¹⁷	DC Filter Coefficient Selection
[7:3]	RESERVED	00000b	RW		RESERVED

2.13.17 AUDIO CLASS_D - EQREAD_DATA Registers

This 24-bit register serves as the 24-bit data holding register used when doing indirect reads to the EQRAM.

I²C Address = Page-2: 54(0x36), μ C Address = 0xA236

I²C Address = Page-2: 55(0x37), μ C Address = 0xA237

I²C Address = Page-2: 56(0x38), μ C Address = 0xA238

Bit	Bit Name	Default Settings	User Type	Value	Description / Comments
[23:0]	EQREAD_DATA	000000h	R	24 bit coefficient	24-bit data register used for read data on EQRAM read

2.13.18 AUDIO CLASS_D - EQWRITE_DATA Registers

This 24-bit register serves as the 24-bit data holding registers when doing indirect writes to the EQRAM.

I²C Address = Page-2: 57(0x39), μ C Address = 0xA239

I²C Address = Page-2: 58(0x3A), μ C Address = 0xA23A

I²C Address = Page-2: 59(0x3B), μ C Address = 0xA23B

Bit	Bit Name	Default Settings	User Type	Value	Description / Comments
[23:0]	EQWRITE_DATA	000000h	RW	24 bit coefficient	24-bit data register used for write data on EQRAM write.

2.13.19 AUDIO CLASS_D - EQ_ADDR Registers

This 16-bit register provides the 10-bit address to the internal RAM when performing indirect writes/reads to the EQRAM.

EQ_ADDR_HI: I²C Addresses = Page-2: 60(0x3C), μ C Address = 0xA23C

EQ_ADDR_LO: I²C Addresses = Page-2: 61(0x3D), μ C Address = 0xA23D

Bit	Bit Name	Default Settings	User Type	Value	Description / Comments
[9:0]	EQ_ADDR	0000000000b	RW	10-bit Address	EQRAM is mapped on address space 0 to 51.
[15:10]	RESERVED	000000b	RW		RESERVED

2.13.20 AUDIO CLASS_D – EQCONTROL HI & LO Register

This 16-bit register provides the write/read enable when doing indirect writes/reads to the EQRAM.

I²C Address = Page-2: 62(0x3E), μ C Address = 0xA23E

I²C Address = Page-2: 63(0x3F), μ C Address = 0xA23F

Bit	Bit Name	Default Settings	User Type	Value	Description / Comments
[13:0]	RESERVED	000000000000b	RW		RESERVED
14	eqram_rd	0b	RW1C	0 = Don't Read 1 = Read	Read from EQRAM, cleared by HW when done
15	eqram_wr	0b	RW1C	0 = Don't Write 1 = Write	Write to EQRAM, cleared by HW when done

2.14 AUDIO CLASS_D - EQUALIZER COEFFICIENT & PRESCALER RAM (EQRAM)

2.14.1 AUDIO CLASS_D - Writing to EQRAM

The EQRAM is a single port 52x24 synchronous RAM. It is programmed indirectly through the Control Bus in the following manner:

- Write 24-bit signed/magnitude data to the EQWRITE_DATA register.
- Write target address to the EQ_ADDR register (See Section 2.13.19).
- Set bit 15 of the EQCONTROL register (just write 0x80 to EQCONTROL_HI register.) When the hardware completes the write it will automatically clear this bit. The write will occur when the EQRAM is not being accessed by the DSP audio processing routines. NOTE: Bit 10 of the EQCONTROL register must be 0 for proper write cycle.

2.14.2 AUDIO CLASS_D - Reading from EQRAM

Reading back a value from the EQRAM is done in this manner:

- Write target address to EQ_ADDR register.
- Set bit 14 of EQCONTROL register (just write 0x40 to EQCONTROL_HI.) When the hardware completes the read it will automatically clear this bit. The read data can then be read from the EQREAD_DATA register.

Table 7 - EQRAM Addresses

Channel 0 Coefficients				Filter Band	Channel 1 Coefficients			
Address Offset	Data Hi [23:16]	Data Mid [15:08]	Data Lo [07:00]		Address Offset	Data Hi [23:16]	Data Mid [15:08]	Data Lo [07:00]
0x00	EQ_F0_A1C	EQ_F0_A1B	EQ_F0_A1A	0	0x19	EQ_F0_A1C	EQ_F0_A1B	EQ_F0_A1A
0x01	EQ_F0_A2C	EQ_F0_A2B	EQ_F0_A2A		0x1A	EQ_F0_A2C	EQ_F0_A2B	EQ_F0_A2A
0x02	EQ_F0_B0C	EQ_F0_B0B	EQ_F0_B0A		0x1B	EQ_F0_B0C	EQ_F0_B0B	EQ_F0_B0A
0x03	EQ_F0_B1C	EQ_F0_B1B	EQ_F0_B1A		0x1C	EQ_F0_B1C	EQ_F0_B1B	EQ_F0_B1A
0x04	EQ_F0_B2C	EQ_F0_B2B	EQ_F0_B2A		0x1D	EQ_F0_B2C	EQ_F0_B2B	EQ_F0_B2A
0x05	EQ_F1_A1C	EQ_F1_A1B	EQ_F1_A1A		0x1E	EQ_F1_A1C	EQ_F1_A1B	EQ_F1_A1A
0x06	EQ_F1_A2C	EQ_F1_A2B	EQ_F1_A2A	0x1F	EQ_F1_A2C	EQ_F1_A2B	EQ_F1_A2A	
0x07	EQ_F1_B0C	EQ_F1_B0B	EQ_F1_B0A	0x20	EQ_F1_B0C	EQ_F1_B0B	EQ_F1_B0A	
0x08	EQ_F1_B1C	EQ_F1_B1B	EQ_F1_B1A	0x21	EQ_F1_B1C	EQ_F1_B1B	EQ_F1_B1A	
0x09	EQ_F1_B2C	EQ_F1_B2B	EQ_F1_B2A	0x22	EQ_F1_B2C	EQ_F1_B2B	EQ_F1_B2A	
0x0A	EQ_F2_A1C	EQ_F2_A1B	EQ_F2_A1A	2	0x23	EQ_F2_A1C	EQ_F2_A1B	EQ_F2_A1A
0x0B	EQ_F2_A2C	EQ_F2_A2B	EQ_F2_A2A		0x24	EQ_F2_A2C	EQ_F2_A2B	EQ_F2_A2A
0x0C	EQ_F2_B0C	EQ_F2_B0B	EQ_F2_B0A		0x25	EQ_F2_B0C	EQ_F2_B0B	EQ_F2_B0A
0x0D	EQ_F2_B1C	EQ_F2_B1B	EQ_F2_B1A		0x26	EQ_F2_B1C	EQ_F2_B1B	EQ_F2_B1A
0x0E	EQ_F2_B2C	EQ_F2_B2B	EQ_F2_B2A		0x27	EQ_F2_B2C	EQ_F2_B2B	EQ_F2_B2A
0x0F	EQ_F3_A1C	EQ_F3_A1B	EQ_F3_A1A		0x28	EQ_F3_A1C	EQ_F3_A1B	EQ_F3_A1A
0x10	EQ_F3_A2C	EQ_F3_A2B	EQ_F3_A2A	0x29	EQ_F3_A2C	EQ_F3_A2B	EQ_F3_A2A	
0x11	EQ_F3_B0C	EQ_F3_B0B	EQ_F3_B0A	0x2A	EQ_F3_B0C	EQ_F3_B0B	EQ_F3_B0A	
0x12	EQ_F3_B1C	EQ_F3_B1B	EQ_F3_B1A	0x2B	EQ_F3_B1C	EQ_F3_B1B	EQ_F3_B1A	
0x13	EQ_F3_B2C	EQ_F3_B2B	EQ_F3_B2A	0x2C	EQ_F3_B2C	EQ_F3_B2B	EQ_F3_B2A	
0x14	EQ_F4_A1C	EQ_F4_A1B	EQ_F4_A1A	4	0x2D	EQ_F4_A1C	EQ_F4_A1B	EQ_F4_A1A
0x15	EQ_F4_A2C	EQ_F4_A2B	EQ_F4_A2A		0x2E	EQ_F4_A2C	EQ_F4_A2B	EQ_F4_A2A
0x16	EQ_F4_B0C	EQ_F4_B0B	EQ_F4_B0A		0x2F	EQ_F4_B0C	EQ_F4_B0B	EQ_F4_B0A
0x17	EQ_F4_B1C	EQ_F4_B1B	EQ_F4_B1A		0x30	EQ_F4_B1C	EQ_F4_B1B	EQ_F4_B1A
0x18	EQ_F4_B2C	EQ_F4_B2B	EQ_F4_B2A		0x31	EQ_F4_B2C	EQ_F4_B2B	EQ_F4_B2A
0x32	EQ_PREC	EQ_PREB	EQ_PREA		0x33	EQ_PREC	EQ_PREB	EQ_PREA

2.15 AUDIO – AUDIO CONTROL REGISTERS

The Audio Class-D Module can be controlled and monitored by writing 8-bit control words to the various Registers as described below. The Base addresses are defined in [Table 3 – Register Address Global Mapping](#) on page 20.

2.15.1 AUDIO - RESERVED Registers

These registers are reserved. Do not write to them.

I²C Address = Page-1: 16 (0x10), μ C Address = 0xA110
 thru Page-1: 159 (0x9F), μ C Address = 0xA19F

I²C Address = Page-1: 164 (0xA4), μ C Address = 0xA1A4
 thru Page-1: 165 (0xA5), μ C Address = 0xA1A5

I²C Address = Page-1: 205 (0xCD), μ C Address = 0xA1CD
 thru Page-1: 208 (0xD0), μ C Address = 0xA1D0

I²C Address = Page-1: 212 (0xD4), μ C Address = 0xA1D4
 thru Page-1: 255 (0xEF), μ C Address = 0xA1EF

2.15.2 AUDIO – Audio Control Register

AUDIO_CTRL = I²C Address = Page-0: 56 (0x38), μ C Address = 0xA038

Bit	Bit Name	Def. Set.	User Type	Value	Description / Comments
0	AUDIO_RST	0b	RW1A		Write "1" to reset audio subsystem. Internal logic will reset this bit to "0" after 250 ns.
1	AUDIO_EN	0b	RW	0b = Disable 1b = Enable	Disabled state will put audio subsystem in low power state (analog in standby and PLL shut-off).
2	AUDIO_DIG_DIS	0b	RW	0b = Disable 1b = Enable	Enable/disable digital audio to conserve power
3	CLASSD_DIG_DIS	0b	RW	0b = Disable 1b = Enable	Enable/disable digital Class-D to conserve power
[7:4]	RESERVED	0h	RW		RESERVED

2.15.3 AUDIO - DAC0 Volume Control Registers (DAC0x_VOL)

These registers manage the output signal volume for DAC0, Left and Right respectively.

- The MSB, bit 7, of each register is the mute bit. When this bit is set, the output is silent.
- There are 128 gain selections from 0 dB to -95.25 dB. The step size is 0.75 dB.

DAC0L_VOL = I²C Address = Page-1: 160 (0xA0), μ C Address = 0xA1A0

Bit	Bit Name	Def. Set.	User Type	Value	Description / Comments
[6:0]	LEVEL_L	0000000b	RW	00h = 0 dB attenuation 3Fh = 95.25 dB attenuation	Left Volume Control
7	MUTE_L	1b	RW	0 = Not Muted 1 = Muted	Left Mute

DAC0R_VOL = I²C Address = Page-1: 161 (0xA1), μ C Address = 0xA1A1

Bit	Bit Name	Def. Set.	User Type	Value	Description / Comments
[6:0]	LEVEL_R	0000000b	RW	00h = 0 dB attenuation 3Fh = 95.25 dB attenuation	Right Volume Control
7	MUTE_R	1b	RW	0 = Not Muted 1 = Muted	Right Mute

2.15.4 AUDIO - DAC1 Volume Control Registers (DAC1x_VOL)

These registers manage the output signal volume for DAC1, Left and Right respectively.

- The MSB, bit D7, of each register is the mute bit. When this bit is set, the output is silent.
- There are 128 gain selections from 0 dB to -95.25 dB. The step size is 0.75 dB.

DAC1L_VOL = I²C Address = Page-1: 162 (0xA2), μ C Address = 0xA1A2

Bit	Bit Name	Def. Set.	User Type	Value	Description / Comments
[6:0]	LEVEL_L	0000000b	RW	00h = 0 dB attenuation 3Fh = 95.25 dB attenuation	Left Volume Control
7	MUTE_L	1b	RW	0 = Not Muted 1 = Muted	Left Mute

DAC1R_VOL = I²C Address = Page-1: 163(0xA3), μ C Address = 0xA1A3

Bit	Bit Name	Def. Set.	User Type	Value	Description / Comments
[6:0]	LEVEL_R	0000000b	RW	00h = 0 dB attenuation 3Fh = 95.25 dB attenuation	Right Volume Control
7	MUTE_R	1b	RW	0 = Not Muted 1 = Muted	Right Mute

2.15.5 AUDIO - Mixer Output Volume Control Registers (MIX_OUTx_VOL)

These registers manage the output signal volume for the mixer, Left and Right respectively.

- The MSB, bit D7, of each register is the mute bit. When this bit is set, the output is silent.
- There are 32 gain selections from 0 dB to -46.5 dB. The step size is 1.5 dB.

MIX_OUTL_VOL = I²C Address = Page-1: 166(0xA6), μ C Address = 0xA1A6

Bit	Bit Name	Def. Set.	User Type	Value	Description / Comments
[4:0]	LEVEL_L	00000b	RW	00h = 0 dB attenuation 1Fh = 46.5 dB attenuation	Left Volume Control
[6:5]	RESERVED	00b	RW		RESERVED
7	MUTE_L	1b	RW	0 = Not Muted 1 = Muted	Left Mute

MIX_OUTR_VOL = I²C Address = Page-1: 167(0xA7), μ C Address = 0xA1A7

Bit	Bit Name	Def. Set.	User Type	Value	Description / Comments
[4:0]	LEVEL_R	00000b	RW	00h = 0 dB attenuation 1Fh = 46.5 dB attenuation	Right Volume Control
[6:5]	RESERVED	00b	RW		RESERVED
7	MUTE_R	1b	RW	0 = Not Muted 1 = Muted	Right Mute

2.15.6 AUDIO - Mixer Input Volume Control - DAC0 Registers (DAC0x_MIX_VOL)

These registers manage the mixer input signal volume for DAC0, Left and Right respectively.

- The MSB, bit D7, of each register is the mute bit. When this bit is set, the output is silent.
- There are 32 gain selections from 12 dB to -34.5 dB. The step size is 1.5 dB.

DAC0L_MIX_VOL = I²C Address = Page-1: 168(0xA8), μ C Address = 0xA1A8

Bit	Bit Name	Def. Set.	User Type	Value	Description / Comments
[4:0]	D0MVL	0Ch	RW	00h = 12 dB gain 0Ch = 0 dB gain 1Fh = 34.5 dB attenuation	Left Volume Control
[6:5]	RESERVED	00b	RW		RESERVED
7	MUTE_L	1b	RW	0 = Not Muted 1 = Muted	Left Mute

DAC0R_MIX_VOL = I²C Address = Page-1: 169(0xA9), μ C Address = 0xA1A9

Bit	Bit Name	Def. Set.	User Type	Value	Description / Comments
[4:0]	D0MVR	0Ch	RW	00h = 12 dB gain 0Ch = 0 dB gain 1Fh = 34.5 dB attenuation	Right Volume Control
[6:5]	RESERVED	00b	RW		RESERVED
7	MUTE_R	1b	RW	0 = Not Muted 1 = Muted	Right Mute

2.15.7 AUDIO - Mixer Input Volume Control - DAC1 Registers (DAC1x_MIX_VOL)

These registers manage the mixer input signal volume for DAC1, Left and Right respectively.

- The MSB, bit D7, of each register is the mute bit. When this bit is set, the output is silent.
- There are 32 gain selections from 12 dB to -34.5 dB. The step size is 1.5 dB.

DAC1L_MIX_VOL = I²C Address = Page-1: 170 (0xAA), μ C Address = 0xA1AA

Bit	Bit Name	Def. Set.	User Type	Value	Description / Comments
[4:0]	D1MVL	0Ch	RW	00h = 12 dB gain 0Ch = 0 dB gain 1Fh = 34.5 dB attenuation	Left Volume Control
[6:5]	RESERVED	00b	RW		RESERVED
7	MUTE_L	1b	RW	0 = Not Muted 1 = Muted	Left Mute

DAC1R_MIX_VOL = I²C Address = Page-1: 171 (0xAB), μ C Address = 0xA1AB

Bit	Bit Name	Def. Set.	User Type	Value	Description / Comments
[4:0]	D1MVR	0Ch	RW	00h = 12 dB gain 0Ch = 0 dB gain 1Fh = 34.5 dB attenuation	Right Volume Control
[6:5]	RESERVED	00b	RW		RESERVED
7	MUTE_R	1b	RW	0 = Not Muted 1 = Muted	Right Mute

2.15.8 AUDIO - Mixer Input Volume Control - Line Input Registers (LINEINx_MIX_VOL)

These registers manage the mixer input signal volume for the Line input, Left and Right respectively.

- The MSB, bit D7, of each register is the mute bit. When this bit is set, the output is silent.
- There are 32 gain selections from 12 dB to -34.5 dB. The step size is 1.5 dB.

LINEINL_MIX_VOL = I²C Address = Page-1: 172 (0xAC), μ C Address = 0xA1AC

Bit	Bit Name	Def. Set.	User Type	Value	Description / Comments
[4:0]	LMVL	0Ch	RW	00h = 12 dB gain 0Ch = 0 dB gain 1Fh = 34.5 dB attenuation	Left Volume Control
[6:5]	RESERVED	00b	RW		RESERVED
7	MUTE_L	1b	RW	0 = Not Muted 1 = Muted	Left Mute

LINEINR_MIX_VOL = I²C Address = Page-1: 173 (0xAD), μ C Address = 0xA1AD

Bit	Bit Name	Def. Set.	User Type	Value	Description / Comments
[4:0]	LMVR	0Ch	RW	00h = 12 dB gain 0Ch = 0 dB gain 1Fh = 34.5 dB attenuation	Right Volume Control
[6:5]	RESERVED	00b	RW		RESERVED
7	MUTE_R	1b	RW	0 = Not Muted 1 = Muted	Right Mute

2.15.9 AUDIO - Input Mixer Input Volume Control - Analog Microphone Registers (AMICx_MIX_VOL)

These registers manage the mixer input signal volume for the Analog Microphone input, Left and Right respectively.

- The MSB, bit D7, of each register is the mute bit. When this bit is set, the output is silent.
- There are 32 gain selections from 12 dB to -34.5 dB. The step size is 1.5 dB.

AMICL_MIX_VOL = I²C Address = Page-1: 174 (0xAE), μ C Address = 0xA1AE

Bit	Bit Name	Def. Set.	User Type	Value	Description / Comments
[4:0]	MMVL	0Ch	RW	00h = 12 dB gain 0Ch = 0 dB gain 1Fh = 34.5 dB attenuation	Left Volume Control
[6:5]	RESERVED	00b	RW		RESERVED
7	MUTE_L	1b	RW	0 = Not Muted 1 = Muted	Left Mute

AMICR_MIX_VOL = I²C Address = Page-1: 175(0xAF), μ C Address = 0xA1AF

Bit	Bit Name	Def. Set.	User Type	Value	Description / Comments
[4:0]	MMVR	0Ch	RW	00h = 12 dB gain 0Ch = 0 dB gain 1Fh = 34.5 dB attenuation	Right Volume Control
[6:5]	RESERVED	00b	RW		RESERVED
7	MUTE_R	1b	RW	0 = Not Muted 1 = Muted	Right Mute

2.15.10 AUDIO - ADC0 Analog Input Gain (Volume Control) Registers (ADC0x_IN_AGAIN)

These registers manage the input signal volume for ADC0, Left and Right respectively.

- The MSB, bit D7, of each register is the mute bit. When this bit is set, the output of the gain stage is silent. Muting the amplifier does not stop the ADC capture stream.
- There are 16 gain selections from 22.5 dB to 0 dB. The step size is 1.5 dB.

ADC0L_IN_AGAIN = I²C Address = Page-1: 176(0xB0), μ C Address = 0xA1B0

Bit	Bit Name	Def. Set.	User Type	Value	Description / Comments
[3:0]	A0VL	0h	RW	0h = 0 dB gain Fh = 22.5 dB gain	Left Analog Input Gain Control
[6:4]	RESERVED	000b	RW		RESERVED
7	MUTE_L	1b	RW	0 = Not Muted 1 = Muted	Left Mute

ADC0R_IN_AGAIN = I²C Address = Page-1: 177(0xB1), μ C Address = 0xA1B1

Bit	Bit Name	Def. Set.	User Type	Value	Description / Comments
[3:0]	A0VR	0h	RW	0h = 0dB gain Fh = 22.5 dB gain	Right Analog Input Gain Control
[6:4]	RESERVED	000b	RW		RESERVED
7	MUTE_R	1b	RW	0 = Not Muted 1 = Muted	Right Mute

2.15.11 AUDIO - ADC0 Analog Input Selection Register (ADC0_MUX)

This register selects the input source for ADC0. ADC0 may record the line input or the mixer output.

ADC0_MUX = I²C Address = Page-1: 178(0xB2), μ C Address = 0xA1B2

Bit	Bit Name	Def. Set.	User Type	Value	Description / Comments
0	A0LSEL0	0b	RW	0=Line Input 1=Mixer Input	Left Analog Input Select
[3:1]	RESERVED	000b	RW		RESERVED
4	A0RSEL0	0b	RW	0=Line Input 1=Mixer Input	Right Analog Input Select
[7:5]	RESERVED	000b	RW		RESERVED

2.15.12 AUDIO - ADC0 Control Register (ADC0_CTRL)

This register controls the functionality of the high pass filter for ADC0.

ADC0_CTRL = I²C Address = Page-1: 179(0xB3), μ C Address = 0xA1B3

Bit	Bit Name	Def. Set.	User Type	Value	Description / Comments
[3:0]	RESERVED	0000b	RW		RESERVED
4	HPF_FREZ	0b	RW	0 = Disabled 1 = Enabled	High-pass filter freeze
5	RESERVED	0b	RW		RESERVED
6	HPF_DIS	0b	RW	0 = Not Disabled 1 = Disabled	High Pass Filter Disable
7	RESERVED	0b	RW		RESERVED

2.15.13 AUDIO - ADC1 Digital Input Gain Register (ADC1x_IN_DGAIN)

These registers manage the signal output volume for ADC1, Left and Right respectively.

- The MSB, bit D7, of each register is the mute bit. When this bit is set, the output of the gain stage is silent. Muting the amplifier does not stop the ADC capture stream.
- There are 16 gain steps from 22.5 dB to 0 dB. The step size is 1.5 dB.

ADC1L_IN_DGAIN = I²C Address = Page-1: 180(0xB4), μ C Address = 0xA1B4

Bit	Bit Name	Def. Set.	User Type	Value	Description / Comments
[3:0]	A1VL	Fh	RW	0h = 22.5 dB gain Fh = 0 dB gain	Left Digital Input Gain
[6:4]	RESERVED	000b	RW		RESERVED
7	MUTE_L	1b	RW	0 = Not Muted 1 = Muted	Left Mute

ADC1R_IN_DGAIN = I²C Address = Page-1: 181(0xB5), μ C Address = 0xA1B5

Bit	Bit Name	Def. Set.	User Type	Value	Description / Comments
[3:0]	A1VR	Fh	RW	0h = 22.5 dB gain Fh = 0 dB gain	Right Digital Input Gain
[6:4]	RESERVED	000b	RW		RESERVED
7	MUTE_R	1b	RW	0 = Not Muted 1 = Muted	Right Mute

2.15.14 AUDIO - ADC1 Digital Boost Gain Control Register

This register selects the amount of boost applied after ADC1 but before the ADC1 output gain/AGC.

ADC1_IN_DBOOST = I²C Address = Page-1: 182(0xB6), μ C Address = 0xA1B6, Offset = 0xB6

Bit	Bit Name	Def. Set.	User Type	Value	Description / Comments
[1:0]	DBR	11b	RW	0h = 30 dB Gain 1h = 20 dB Gain 2h = 10 dB Gain 3h = 0 dB Gain	Right Boost
[3:2]	RESERVED	00b	RW		RESERVED
[5:4]	DBL	11b	RW	0h = 30 dB Gain 1h = 20 dB Gain 2h = 10 dB Gain 3h = 0 dB Gain	Left Boost
[7:6]	RESERVED	00b	RW		RESERVED

2.15.15 AUDIO - ADC1 Control Register

This register controls the function of the High pass filter for ADC1

ADC1_CTRL = I²C Address = Page-1: 183(0xB7), μ C Address = 0xA1B7, Offset = 0xB7

Bit	Bit Name	Def. Set.	User Type	Value	Description / Comments
[3:0]	RESERVED	0000b	RW		RESERVED
4	HPF_FREZ	0b	RW	0 = Disabled 1 = Enabled	High-pass filter freeze
5	RESERVED	0b	RW		RESERVED
6	HPF_DIS	0b	RW	0 = Not Disabled 1 = Disabled	High Pass Filter Disable
7	RESERVED	0b	RW		RESERVED

2.15.16 AUDIO - Microphone Port Mode Control

Microphone mode selection and other microphone port related control.

The digital and analog port pins are shared. Analog or digital microphone mode is selected using this register. When in digital mode, the DMICCLK, DMICDAT1, DMICDAT2 and DMICCSEL functions are available. When in analog mode, the MIC_R+, MIC_R-, MIC_L+, MIC_L-, MICBIAS_R, MICBIAS_L are available.

The left and right outputs of ADC1 may be swapped using the L/R swap flag and mono output may be forced using the mono flag. By using the L/R swap and mono flags together it is possible to support stereo capture, mono capture from the left channel and mono capture from the right channel. When used in conjunction with the power management controls, it is possible to shut down half of the ADC and still provide valid data on both the left and right digital output streams from ADC1.

MIC_MODE = I²C Address = Page-1: 184(0xB8), μ C Address = 0xA1B8, Offset = 0xB8

Bit	Bit Name	Def. Set.	User Type	Value	Description / Comments
0	AORD	0b	RW	0 = Analog MIC Mode 1 = Digital MIC Mode	Microphone Mode
1	LR_SWAP	0b	RW	0 = Don't Swap 1 = Swap	L/R Swap - swap left and right ADC1 channels
2	MONO	0b	RW	0 = Normal 1 = Left Copied to Right	Mono - Left channel is copied to right (implemented after L/R swap)
3	BIT_INVERT	0b	RW	0 = Don't Invert 1 = Invert	Bit invert - Input 1 as 0 and 0 as 1
[6:4]	RESERVED	000b	RW		RESERVED
7	AMIC_PWD	1b	RW	0 = Don't Power Down 1 = Power Down	Dedicated Analog Microphone Power Down

2.15.17 AUDIO - Analog Microphone Boost Gain Control Register

This register selects the amount of gain applied to the analog microphone before the ADC.

AMIC_BOOST = I²C Address = Page-1: 185(0xB9), μ C Address = 0xA1B9, Offset = 0xB9

Bit	Bit Name	Def. Set.	User Type	Value	Description / Comments
[1:0]	AMBR	00b	RW	00b = 0 dB Gain 01b = 10 dB Gain 10b = 20 dB Gain 11b = 30 dB Gain	Right Boost
[3:2]	RESERVED	00b	RW		RESERVED
[5:4]	AMBL	00b	RW	00b = 0 dB Gain 01b = 10 dB Gain 10b = 20 dB Gain 11b = 30 dB Gain	Left Boost
[7:6]	RESERVED	00b	RW		RESERVED

2.15.18 AUDIO - Digital Microphone (DMIC) Control Register

This register controls the Digital Microphone interface

DMIC_CTRL = I²C Address = Page-1: 186(0xBA), μ C Address = 0xA1BA, Offset = 0xBA

Bit	Bit Name	Def. Set.	User Type	Value	Description / Comments
[1:0]	RATE	10b	RW	00b = 4.704 MHz 01b = 3.528 MHz 10b = 2.352 MHz 11b = 1.176 MHz	Selects the DMIC clock rate
[3:2]	PHADJ	00b	RW	0h = left data rising edge/right data falling edge 1h = left data center of high/right data center of low 2h = left data falling edge/right data rising edge 3h = left data center of low/right data center of high	DMIC sample phase adjust. Selects what phase of the DMIC clock the Left / Mono data should be latched.
[5:4]	MODE	11b	RW	0h = Disabled - DMICCLK held low. A mute pattern (1010) is sent to CIC 1h = Stereo on DMICDAT1 2h = Stereo on DMICDAT2 3h = Stereo using DMICDAT1 as Left / DMICDAT2 as Right	Selects DMIC input mode.
6	RESERVED	0b	RW		RESERVED
7	DMICCSEL	0b	RW	0 = DMICCSEL pin is low 1 = DMICCSEL pin is high	Logical value of DMICCSEL pin when port is in digital mode.

2.15.19 AUDIO - Analog Microphone Port Mode Control & Bias Register

The analog microphone port supports two independent microphone bias pins.

Each Microphone Bias pin can supply up to 3mA of current.

AMIC_CTRL = I²C Address = Page-1: 187(0xBB), μ C Address = 0xA1BB, Offset = 0xBB

Bit	Bit Name	Def. Set.	User Type	Value	Description / Comments
[1:0]	MBIASL	00b	RW	00b = Hi-Z (off) 01b = 50% VDD_AUDIO33 10b = 90% VDD_AUDIO33 11b = GND	Left Microphone bias
[3:2]	MBIASR	00b	RW	00b = Hi-Z (off) 01b = 50% VDD_AUDIO33 10b = 90% VDD_AUDIO33 11b = GND	Right Microphone bias
[7:4]	RESERVED	0h	RW		RESERVED

2.15.20 AUDIO - AGC1 to AGC5 Automatic Gain Control Registers

AGCSET1 = I²C Address = Page-1: 188(0xBC), μ C Address = 0xA1BC

Bit	Bit Name	Def. Set.	User Type	Value	Description / Comments
[3:0]	TARGET	2h	RW		Gain control programmable in 1.5 dB steps. For example 0h = 0 dB, 1h = -1.5 dB and Fh = -22.5 dB.
[7:4]	DELAY	2h	RW	Delay Time = $2^{(x+6)} \times \text{base_time sec}$ Delay base time is configured by {basetime_ctrl_sign, mag}	Delay Time: BASETIME_CTRL_SIGN and BASETIME_CTRL_MAG (0xBF bit[7] and bit[6:5]) defines AGC function operation basetime unit.

AGCSET2 = I²C Address = Page-1: 189(0xBD), μ C Address = 0xA1BD

Bit	Bit Name	Def. Set.	User Type	Value	Description / Comments
[3:0]	ATTACK	0h	RW	$2^{(n+9)} \times \text{base_time}$, $n > 10$, use $n=10$	Attack time is the time that it takes the AGC to ramp down across its gain range.
[7:4]	DECAY	0h	RW	$2^{(n+11)} \times \text{base_time}$	Attack time is the time that it takes the AGC to ramp up across its gain range

AGCSET3 = I²C Address = Page-1: 190 (0xBE), μ C Address = 0xA1BE

Bit	Bit Name	Def. Set.	User Type	Value	Description / Comments
[5:0]	THRESHOLD	000000b	RW	000000b = -24 dB 100000b = -72 dB	-72 dB ~ -24 dB, in 1.5 dB per step
6	AGCEN_RIGHT	0b	RW	0 = Disable 1 = Enable	Right Channel AGC Enable
7	AGCEN_LEFT	0b	RW	0 = Disable 1 = Enable	Left Channel AGC Enable

AGCSET4 = I²C Address = Page-1: 191 (0xBF), μ C Address = 0xA1BF

Bit	Bit Name	Def. Set.	User Type	Value	Description / Comments
[4:0]	MIN_GAIN	00000b	RW	00000b = 0 dB 10100b = 30 dB	0 ~ 30 dB, 1.5 dB per step
[7:5]	BASETIME_CTRL_MAG	000b	RW	000 = a, 001 = 2a, 010 = 4a, 011 = 8a, 101 = a/2, 110 = a/4, 111 = a/8	AGC basetime unit. a = 1/(8 x 44100) second

AGC5_MISC = I²C Address = Page-1: 192 (0xC0), μ C Address = 0xA1C0

Bit	Bit Name	Def. Set.	User Type	Value	Description / Comments
0	FASTEST_ATTACK_DIS	0b	RW	0 = Not Disabled 1 = Disabled	Disable fastest attack when >85% peak
[7:1]	RESERVED	0000000b	RW		RESERVED

2.15.21 AUDIO - DAC0/1 Control Register Set

DAC_CTRL = I²C Address = Page-1: 193 (0xC1), μ C Address = 0xA1C1

Bit	Bit Name	Def. Set.	User Type	Value	Description / Comments
[7:0]	RESERVED	00h	RW		RESERVED

2.15.22 AUDIO - Source Control for Output Converters Registers

There are 4 output converters available: I2SOUT1, I2SOUT2, DAC0 and DAC1. Each may select one of the 4 available digital data sources: I2SIN1, I2SIN2, ADC0 or ADC1. The output converters assume the characteristics of the selected source. There is no rate translation. If I²S port 1 is routed to I²S port 2 then the rates of both ports must be the same. If the rates are not the same, then the output from the sink port will be forced to 0 and will retain the rate programmed for that port. If data widths are not the same, the data will be truncated or zero-padded as necessary. If an ADC is chosen as the source for an I²S output then the I²S output characteristics will be used to set the ADC rate and data width. If an ADC is connected to both I2SOUT1 and I2SOUT2, the characteristics of I2SOUT1 will be used. If a DAC is connected to an ADC and the ADC is not connected to an I²S port, the ADC and DAC will default to 48 kHz/24-bit.

I2S1_SOURCE: I²C Address = Page-1: 194(0xC2), μ C Address = 0xA1C2

Bit	Bit Name	Def. Set.	User Type	Value	Description / Comments
[1:0]	I2S1_SOURCE_SEL	00b	RW	00b = I2SIN1 01b = I2SIN2 10b = ADC0 11b = ADC1	I2S1 source select
[7:2]	RESERVED	000000b	RW		RESERVED

I2S2_SOURCE: I²C Address = Page-1: 195(0xC3), μ C Address = 0xA1C3

Bit	Bit Name	Def. Set.	User Type	Value	Description / Comments
[1:0]	I2S2_SOURCE_SEL	00b	RW	00b = I2SIN1 01b = I2SIN2 10b = ADC0 11b = ADC1	I2S2 source select
[7:2]	RESERVED	000000b	RW		RESERVED

DAC0_SOURCE: I²C Address = Page-1: 196(0xC4), μ C Address = 0xA1C4

Bit	Bit Name	Def. Set.	User Type	Value	Description / Comments
[1:0]	DAC0_SOURCE_SEL	00b	RW	00b = I2SIN1 01b = I2SIN2 10b = ADC0 11b = ADC1	DAC0 source select
[7:2]	RESERVED	000000b	RW		RESERVED

DAC1_SOURCE: I²C Address = Page-1: 197(0xC5), μ C Address = 0xA1C5

Bit	Bit Name	Def. Set.	User Type	Value	Description / Comments
[1:0]	DAC1_SOURCE_SEL	00b	RW	00b = I2SIN1 01b = I2SIN2 10b = ADC0 11b = ADC1	I2S0 source select
[7:2]	RESERVED	000000b	RW		RESERVED

2.15.23 AUDIO – Class D BTL Amplifier Source Control Register

There are 4 audio sources available for the BTL amplifier. The left and right sources may be selected independently. The DAC and mixer outputs are a nominal -6 dBV and are amplified at the output port to achieve the desired output level.

CLASSD_SOURCE: I²C Address = Page-1: 198(0xC6), μ C Address = 0xA1C6

Bit	Bit Name	Def. Set.	User Type	Value	Description / Comments
[1:0]	RIGHT_SEL	00b	RW	00b = Mixer 01b = DAC0 10b = DAC1 11b = LINE IN	Class-D right source select
[3:2]	LEFT_SEL	00b	RW	00b = Mixer 01b = DAC0 10b = DAC1 11b = LINE IN	Class-D left source select
[5:4]	RESERVED	00b	RW		RESERVED
6	RIGHT_MUTE	0b	RW	0 = Normal 1 = Mute	ADC2-right(for class-D) mute
7	LEFT_MUTE	0b	RW	0 = Normal 1 = Mute	ADC2-left (for class-D) mute

2.15.24 AUDIO - Source control for Line Output Register

There are 4 audio sources available for the Line Output port. The left and right sources may be selected independently. The DAC and mixer outputs are a nominal -6 dBV and are amplified at the output port to achieve the desired output level.

LINE_OUT_SCTRL: I²C Address = Page-1: 199(0xC7), μ C Address = 0xA1C7

Bit	Bit Name	Default Setting	User Type	Value	Description / Comments
[1:0]	RIGHT_SEL	00b	R/W	00b = Mixer 01b = DAC0 10b = DAC1 11b = Line-in	Right line-out select
[3:2]	LEFT_SEL	00b	R/W	00b = mixer 01b = DAC0 10b = DAC1 11b = line-in	Left line-out select
4	MUTE	1b	R/W	0 = Mute 1 = Normal operation	
5	RESERVED	0b	R/W		RESERVED
[7:6]	LOG	10b	R/W	00 = 0 dB 01b = +3 dB 10b = +6 dB 11b = Reserved	Line-out Port Gain

2.15.25 AUDIO - Source control for Headphone Output Register

There are 3 audio sources available for the Headphone Output port. The left and right sources may be selected independently. The DAC and mixer outputs are a nominal -6dBV and are amplified at the output port to achieve the desired output level.

I²C Address = Page-1: 200(0xC8), μ C Address = 0xA1C8, Offset = 0xC8

Bit	Bit Name	Default Setting	User Type	Value	Description / Comments
[1:0]	RIGHT_SEL	00b	R/W	00b = Mixer 01b = DAC0 10b = DAC1 11b = Line-in	Right headphone output select
[3:2]	LEFT_SEL	00b	R/W	00b = Mixer 01b = DAC0 10b = DAC1 11b = Line-in	Left headphone output select
4	MUTE	0b	R/W	0 = Mute 1 = Normal operation	
5	RESERVED	0b	R/W		RESERVED
[7:6]	HPG	0b	R/W	00b = 0 dB 01b = +3 dB 10b = +6 dB 11b = Reserved	Headphone gain

2.15.26 AUDIO – Audio I2S1 Port Configuration 1

I²C Address = Page-1: 201(0xC9), μ C Address = 0xA1C9, Offset = 0xC9

Bit	Bit Name	Def. Set.	User Type	Value	Description / Comments
[1:0]	BIT_PER_SAMP	00b	RW	00b = 16 01b = 20 10b = 24 11b = RESERVED	
[4:2]	DIV	000b	RW		0 ~ 7 = div 1 ~ 8
[6:5]	MULT	00b	RW	00b = x1 or less 01b = x2 10b = RESERVED 11b = RESERVED	
7	BASE_RATE	0b	RW	0b = 48 kHz 1b = 44.1 kHz	

2.15.27 AUDIO – Audio I2S1 Port Configuration 2I²C Address = Page-1: 202(0xCA), μ C Address = 0xA1CA, Offset = 0xCA

Bit	Bit Name	Def. Set.	User Type	Value	Description / Comments
[1:0]	FRMT	00b	RW	00b = I2S 01b = Left justified 10b = Right justified 11b = RESERVED	Link format
2	RXEN	0b	RW	0b = Disabled 1b = Port Rx enabled	Rx enable
3	LR_SWAP	0b	RW	0b = Normal operation 1b = L and R swap	Swap left and right at output enable
4	WSINV	0b	RW	0b = Normal Operation 1b = Invert word clock	Invert word clock
5	BCLKINV	0b	RW	0b = Normal Operation 1b = Invert bit clock	Invert bit clock
6	MSS	0b	RW	0b = Slave (only) 1b = Master	Master/slave
7	TXEN	0b	RW	0b = Disabled 1b = Port Tx enabled	Tx enable

2.15.28 Audio I2S2 Port Configuration 1I²C Address = Page-1: 203(0xCB), μ C Address = 0xA1CB, Offset = 0xCB

Bit	Bit Name	Def. Set.	User Type	Value	Description / Comments
[1:0]	BIT_PER_SAMP	00b	RW	00b = 16 01b = 20 10b = 24 11b = RESERVED	
[4:2]	DIV	000b	RW		0 ~ 7 = div 1 ~ 8
[6:5]	MULT	00b	RW	00b = x1 or less 01b = x2 10b = RESERVED 11b = RESERVED	
7	BASE_RATE	0b	RW	0b = 48 kHz 1b = 44.1 kHz	

2.15.29 Audio I2S2 Port Configuration 2I²C Address = Page-1: 204(0xCC), μ C Address = 0xA1CC, Offset = 0xCC

Bit	Bit Name	Def. Set.	User Type	Value	Description / Comments
[1:0]	FRMT	00b	RW	00b = I2S 01b = Left justified 10b = Right justified 11b = RESERVED	Link format
2	RXEN	0b	RW	0b = Disabled 1b = Port Rx enabled	Rx enable
3	LR_SWAP	0b	RW	0b = Normal operation 1b = L and R swap	Swap left and right at output enable
4	WSINV	0b	RW	0b = Normal Operation 1b = Invert word clock	Invert word clock
5	BCLKINV	0b	RW	0b = Normal Operation 1b = Invert bit clock	Invert bit clock
6	MSS	0b	RW	0b = Slave (only) 1b = Master	Master/slave
7	TXEN	0b	RW	0b = Disabled 1b = Port Tx enabled	Tx enable

2.15.30 AUDIO - Audio Subsection Power Control 1 Register

I²C Address = Page-1: 209(0xD1), μ C Address = 0xA1D1, Offset = 0xD1

The Audio Subsection provides gross and fine power control. This register controls large blocks of the Audio Subsection.

Bit	Bit Name	Def. Set.	User Type	Value	Description / Comments
0	LINE_IN_D2S_PWD	0b	RW	0 = Not powered down 1 = Powered down	Line Input D2S power down
1	DIG_PWD	0b	RW	0 = Not powered down 1 = Powered down	DIGITAL path power down (I ² S)
2	VREF_PWD	0b	RW	0 = Not powered down 1 = Powered down	Reference power down
3	ADC_PWD	0b	RW	0 = Not powered down 1 = Powered down	ADC power down
4	DAC_PWD	0b	RW	0 = Not powered down 1 = Powered down	DAC power down
5	STANDBY	0b	RW	0 = Normal operation 1 = Standby mode	Low power mode
[7:6]	RESERVED		RW		RESERVED

2.15.31 AUDIO - Audio Subsection Power Control 2 Register

I²C Address = Page-1: 210(0xD2), μ C Address = 0xA1D2, Offset = 0xD2

The Audio Subsection provides gross and fine power control. This register controls individual DAC and ADC channels of the Audio Subsection.

Bit	Bit Name	Def. Set.	User Type	Value	Description / Comments
0	DAC0L_PWD	0b	RW	0 = Not powered down 1 = Powered down	Power down Left half of DAC0
1	DAC0R_PWD	0b	RW	0 = Not powered down 1 = Powered down	Power down Right half of DAC0
2	DAC1L_PWD	0b	RW	0 = Not powered down 1 = Powered down	Power down Left half of DAC1
3	DAC1R_PWD	0b	RW	0 = Not powered down 1 = Powered down	Power down Right half of DAC1
4	ADC0L_PWD	0b	RW	0 = Not powered down 1 = Powered down	Power down Left half of ADC0
5	ADC0R_PWD	0b	RW	0 = Not powered down 1 = Powered down	Power down Right half of ADC0
6	ADC1L_PWD	0b	RW	0 = Not powered down 1 = Powered down	Power down Left half of ADC1
7	ADC1R_PWD	0b	RW	0 = Not powered down 1 = Powered down	Power down Right half of ADC1

2.15.32 AUDIO - Audio Subsection Power Control 3 Register

I²C Address = Page-1: 211(0xD3), μ C Address = 0xA1D3, Offset = 0xD3

The Audio Subsection provides gross and fine power control. This register controls individual DAC and ADC channels of the Audio Subsection.

Bit	Bit Name	Def. Set.	User Type	Value	Description / Comments
0	RESERVED	0h	RW		RESERVED
1	HP_VIRTBUF_PWD	0b	RW	0 = Not powered down 1 = Powered down	Power down Headphone Virtual Ground Buffer
2	HP_RIGHT_PWD	0b	RW	0 = Not powered down 1 = Powered down	Power down Right channel of Headphone out
3	HP_LEFT_PWD	0b	RW	0 = Not powered down 1 = Powered down	Power down Left channel of Headphone out
4	LINEOUT_RIGHT_PWD	0b	RW	0 = Not powered down 1 = Powered down	Power down Right channel of Line out
5	LINEOUT_LEFT_PWD	0b	RW	0 = Not powered down 1 = Powered down	Power down Left channel of Line out
6	ADC2_RIGHT_PWD	0b	RW	0 = Not powered down 1 = Powered down	Power down Right half of ADC2
7	ADC2_LEFT_PWD	0b	RW	0 = Not powered down 1 = Powered down	Power down Left half of ADC2

3.0 CHARGER MODULE

Battery Charger, including switching buck regulator, charger, ideal diode and precision reference

CHARGER FEATURES

- High Efficiency Switch Mode Pre-Regulator for System Power (V_{SYS})
- Programmable USB or Wall current limit (100mA/500mA/1A/1.5A/2A)
- Low Headroom Linear Charger
- 1.5A Maximum Charge Current
- Internal 180m Ω Ideal Diode + External Ideal Diode
- Automatic load prioritization
- Independent Die-Temperature Sensor for Charger
- Battery Temperature Monitor
- Optional Discharger for Battery Safety
- Independent Precision Bandgap Reference
- Battery Voltage Monitor
- Power-On Reset Circuit

CHARGER DESCRIPTION

The CHARGER module is the input power manager for the P95020. It consists of the switch-mode Battery Charger, a Precision Reference and an Ideal Diode. It also generates the V_{SYS} **power-on-reset** when the system is powered up or when a battery or power adapter is attached.

The CHARGER consists of three power sources:

V_{BUS} : Wall Adapter or USB provided power

V_{BAT} : Battery on V_{BAT} will either deliver power to V_{SYS} through the ideal diode or be charged from V_{SYS} via the charger.

V_{SYS} : Output voltage of the Switch Mode Pre-Regulator and Input Voltage of the Battery Charger.

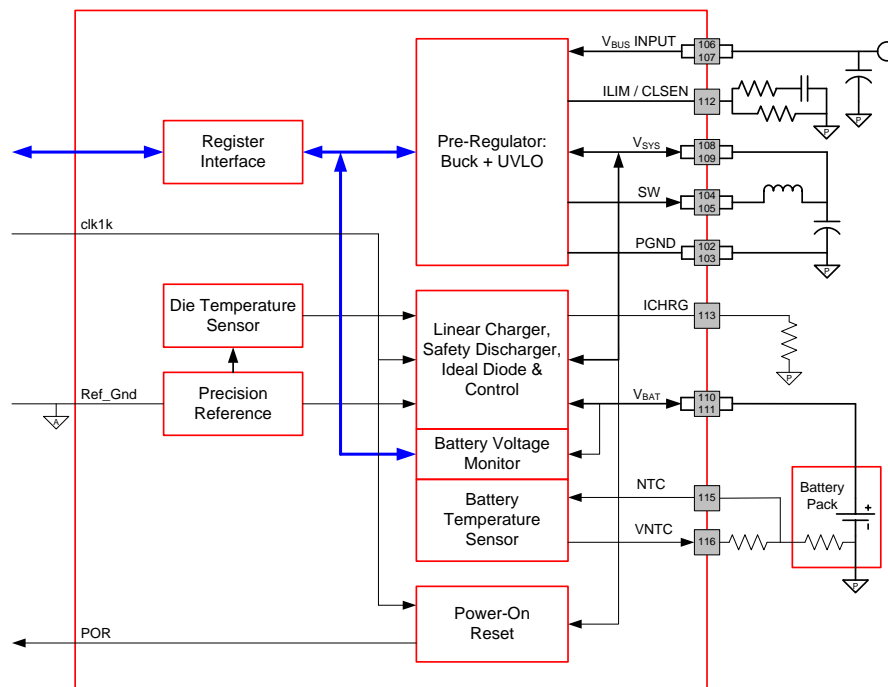


Figure 9 – Charger Block Diagram

3.1 CHARGER - OVERVIEW

The Charger operation is hardware autonomous with software redundancy and configuration. On powerup it is configured for a generic charging algorithm by default, however this is mask defined. Input current limiting selection is set by current limit configuration register on powerup. After powerup the current limit can be set by GPIO4/CHRG_ILIM (write INT_ILIM of Current Limit Configuration Register to 0), low stands for 500mA current limit while high stands for 1.5A current limit. The GPIO pin configuration is defined in the GPIO_TSC Module and the Current Limit Configuration is defined in the CHARGER MODULE. Both Charger and GPIO_TSC settings must be consistent to ensure that the P95020 works properly. For example, if the charger registers are programmed such that current limiting is set via an external pin then that GPIO must also be properly set in the GPIO_TSC registers to prevent it from being assigned to other functions.

3.2 CHARGER – SUB-BLOCKS

The CHARGER block includes the following sub- blocks:

A switching **Pre-Regulator** to regulate/power the system power (V_{SYS}) when adapter input is present

A low-headroom **Linear Charger** which charges the Li-Ion/Li-Poly battery when adapter input is present and the battery is not fully charged, and optionally discharges the battery for safety when the battery temperature is too high and the battery is fully charged.

A **Die-Temperature Sensor** which monitors the die temperature so hardware autonomous actions can be taken to lower the charging current when the die-temperature is too high;

A **Battery Temperature Monitor** which monitors the battery pack temperature through the NTC pin, charging is paused when the battery's temperature is out of range (higher than 40°C or lower than 0°C);

A precision **Bandgap** for a reference for the charging voltage control;

A **Battery Voltage Monitor** which monitors the V_{BAT} level solely for the charger (not for system level monitoring);

A **Power-On Reset** circuit which generates a reset for the system when V_{SYS} is first powered on.

A **Configuration Register Block with Register Access Interface**, which allows system to access registers implemented in this module.

3.3 CHARGER – DC ELECTRICAL CHARACTERISTICS

3.3.1 CHARGER - Buck Regulator Electrical Characteristics

Unless otherwise specified, typical values at $T_A = 25^\circ\text{C}$, $V_{BUS} = 5\text{V}$, $T_A = -40^\circ\text{C}$ to $+85^\circ\text{C}$, $C_{OUT} = 10\mu\text{F}$, $L = 2.2\mu\text{H}$, $C_{IN} = 1\mu\text{F}$, $\text{CHRG_BAT} = 3.8\text{V}$, $R_{CLSEN} = 1\text{K}$, $R_{CLSEN} = 600$

SYMBOL	PARAMETER	CONDITIONS	MIN	TYP	MAX	UNIT
V_{BUS}	Input Supply Voltage		4.35		5.5	V
I_{BUSLIM}	Input Current Limit	1x 5x 10x 15x 20x	90 440 950 1425 1900	95 470 1000 1500 2000	100 500 1050 1575 2100	mA
I_{VBUSQ}	V_{BUS} Quiescent Current	1x 5x 10x 15x 20x		9 9 15 15 15		mA
R_{CLSEN}	Ratio of Measured V_{BUS} Program Current	1x 5x 10x 15x 20x		250 250 1000 1000 1000		mA / mA
V_{CLSEN}	CLSEN Detect Voltage In Current Limit	1x 5x 10x 15x 20x		0.239 1.195 0.598 0.837 1.195		V
V_{BUS_UVLO}	V_{BUS} Under Voltage Lockout	Rising edge		3.95		V
		Hysteresis		200		mV
V_{SYS}	System Output Voltage (During Charging)	1X,5X,10X,15X,20X Modes, $0\text{ V} < V_{BAT} < 4.2\text{ V}$ $I_{OUT} = 0\text{ mA}$	3.6	$V_{BAT} + 0.3$	4.5	V
F_{OSC}	Switching Frequency		1.7	2	2.3	MHz
R_{HS}	High Side Switch On Resistance			0.18		Ω
R_{LS}	Low Side Switch On Resistance			0.30		Ω
$I_{PEAKLIM}$	Peak Switch Current Limit	1x, 5x modes 10x, 15x, 20x modes		1 4		A
D_{MAX}	PWM Max Duty Cycle		100			%
$t_{SOFTSTART}$	Soft Start Rise Time			1		ms
I_{LEAKSW}	Leakage Current Into SW pin	$V_{BUS} = 0\text{V}$, $V_{SW} = 4.5\text{V}$			1	μA

3.3.2 CHARGER – Battery Charger Electrical Characteristics

Unless otherwise specified, typical values at $T_A = 25^\circ\text{C}$, $V_{BUS} = 5\text{V}$, $T_A = -40^\circ\text{C}$ to $+85^\circ\text{C}$, $\text{CHRG_BAT}=3.8\text{V}$, $R_{\text{CHRG}}=1\text{K}$, $R_{\text{CLSEN}}=600$, $\text{CLOAD}=3300\text{ pF}$

SYMBOL	PARAMETER	CONDITIONS	MIN	TYP	MAX	UNIT
V_{FLOAT}	Battery Regulated Output Voltage		4.10	4.20	4.22	V
I_{CHG}	Constant Current Mode charge Current, $R_{\text{CHRG}}=1\text{K}$, step 100mA (1X,~15X programmable)	1X (minimum charging current limit) 15X (Maximum charging current limit)		100 1500		mA
I_{ACC}	Charger Current Accuracy	100mA to 200mA (1X ~ 2X) 300mA to 1500mA (3X ~ 15X)	-15 -10		+15 +10	%
h_{PROG}	Ratio of IBAT to ICHRG pin current	$I_{\text{TRKL}} = 100, 200\text{mA}$ or constant current/voltage mode $I_{\text{TRKL}} = 25, 50, 75, 125, 150, 175\text{mA}$		1000 500		mA/mA
I_{TRKL}	Trickle charge current	7 step 25mA/step	25		175	mA
V_{TRKL}	Trickle voltage Threshold Voltage		2.5		2.8	V
$I_{\text{TR_ACC}}$	Trickle Current Accuracy		-10		+10	%
$V_{\text{TRKL_accuracy}}$	Trickle voltage Threshold Voltage accuracy		-5		5	%
$V_{\text{RCV_HYSIS}}$	Trickle voltage hysteresis			100		mV
I_{TERM}	Charge termination current	100 mA mode 50 mA mode	90 45		110 55	mA
t_{BATBAD}	Bad Battery Termination Time			0.5		Hours
T_{LIM}	Junction Temperature in Constant Temperature Mode (thermal loop)	Note 1		110		$^\circ\text{C}$
$R_{\text{ON_DIODE}}$	Internal Ideal diode power FET on resistance			180		$\text{m}\Omega$
$I_{\text{BAT_SYSOFF}}$	Battery Operation At System Off Condition	No Adapter Input			100	μA
VTS1	Hot Temperature Threshold (NTC)		33	35	37	%VNTC
VTS2	Cold Temperature Threshold (NTC)		74	76	78	%VNTC
VTS3	Discharge Temperature Threshold (NTC)		18	20	22	%VNTC
VTS4	NTC Disable Threshold Voltage		0	2	3	%VNTC

Notes:

1. Guaranteed by design and/or characterization.

3.4 CHARGER – TYPICAL PERFORMANCE CHARACTERISTICS

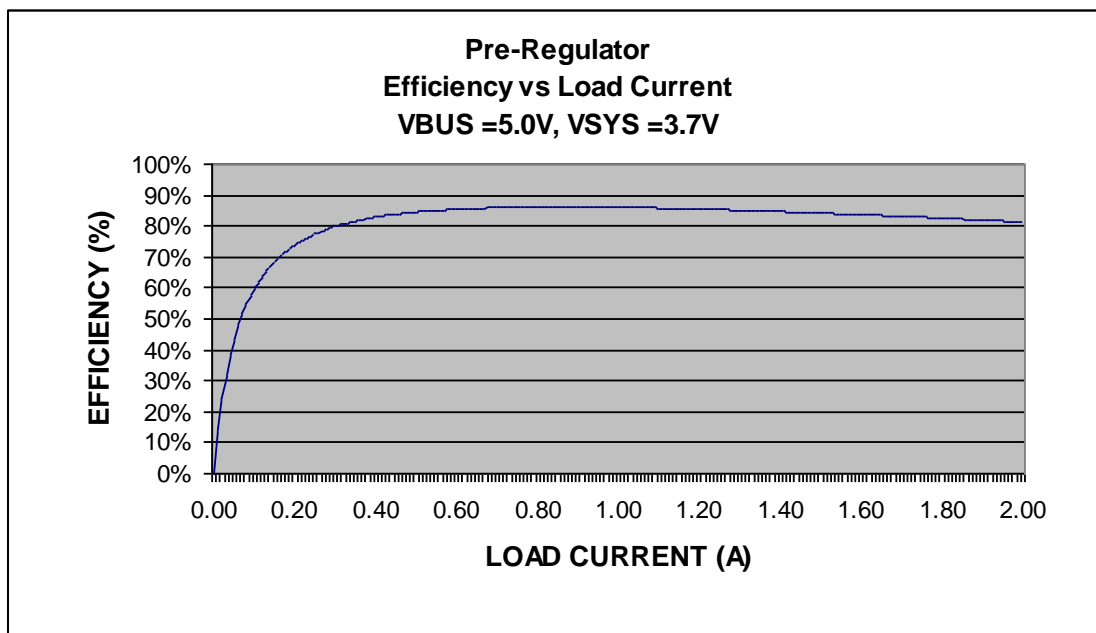


Figure 10 – Pre-Regulator Efficiency vs Load Current $V_{\text{BUS}} = 5.0\text{V}$, $V_{\text{SYS}} = 3.7\text{V}$

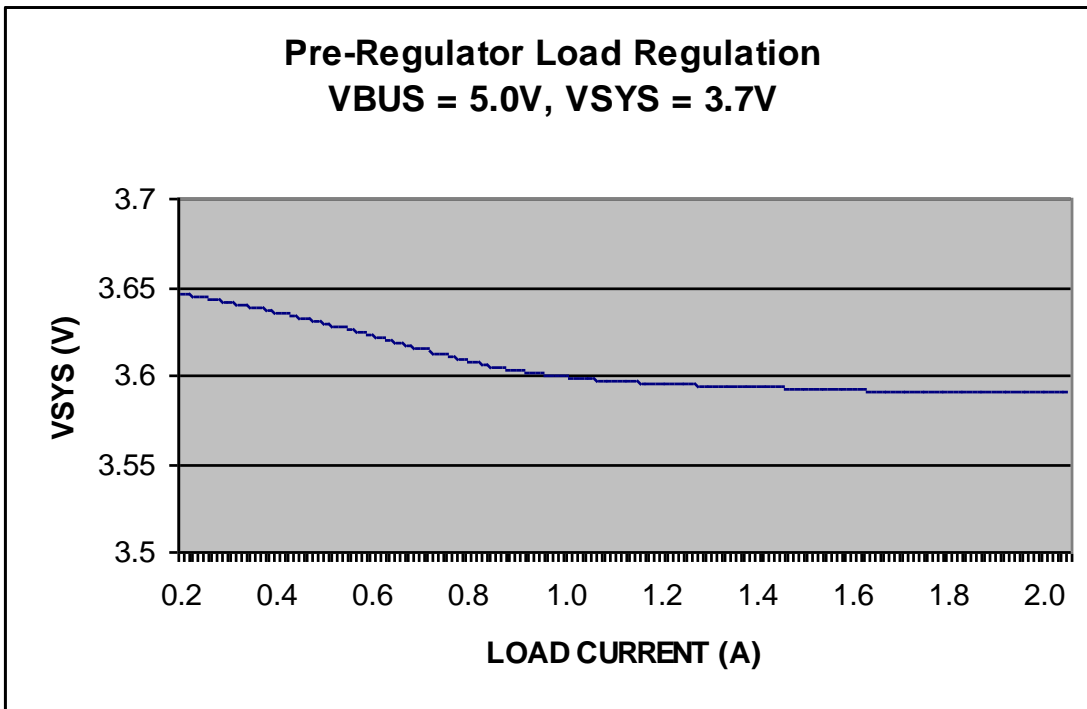


Figure 11– Pre-Regulator Load Regulation VBUS = 5.0V, VSYS = 3.7V

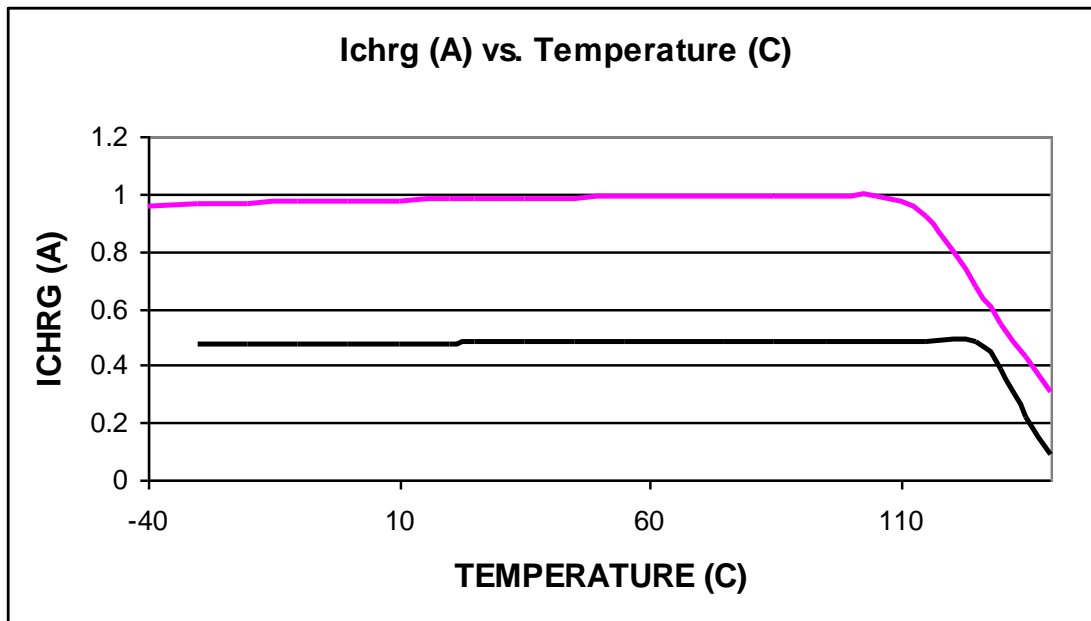


Figure 12 – Battery Charge Current vs Temperature

3.5 CHARGER - REGISTER ADDRESSES

The Charger can be controlled and monitored by writing 8-bit control words to the various registers. The Base addresses are defined in [Table 3– Register Address Global Mapping](#) on page 20.

3.5.1 CHARGER - Current Limit Configuration Register

I²C Address = Page-0: 144(0x90), μ C Address = 0xA090

Bit	Bit Name	Def. Set.	User Type	Value	Description / Comments
[2:0]	I_LIM	000b	RW	(See Table 8)	Current Limit Setting
[6:3]	RESERVED	0h	RW		RESERVED
7	INT_ILIM	1b	RW	(See Note 1)	Current Limit Source

Note 1 – If INT_ILIM = '1', use I_LIM_n bits to define the input current limiting. If INT_ILIM = '0' use external primary pin GPIO4/CHRG_ILIM, GPIO4/CHRG_ILIM = 0: 500mA; GPIO4/CHRG_ILIM = 1: 1.5A.

Table 8 – Register 0xA090 (0x90) Current Limit (I_LIM) Settings Bits [2:0]

Bit 2	Bit 1	Bit 0	Description
0	0	0	Peak Current Limit = 100 mA
0	0	1	Peak Current Limit = 500 mA
0	1	0	Peak Current Limit = 1000 mA
0	1	1	Peak Current Limit = 1500 mA
1	0	0	Peak Current Limit = 2000 mA

3.5.2 CHARGER - Charging Configuration Register

I²C Address = Page-0: 145(0x91), μ C Address = 0xA091

Bit	Bit Name	Def. Set.	User Type	Value	Description / Comments
[3:0]	CHG_CUR	0h	RW	(See Table 10)	Charging Current (via sense resistor) = CHG_CUR x 100 mA
[5:4]	CHG_VOL	00b	RW	(See Table 9)	Maximum Battery Voltage
[7:6]	RESERVED	00b	RW		RESERVED

Table 9 – Register 0xA091, (0x91) Charging Maximum Voltage (CHG_VOL) Settings, Bits [5:4]

Bit 5	Bit 4	Description
0	0	4.10 Volts
0	1	4.15 Volts
1	0	4.20 Volts
1	1	N/A

Table 10 – Register 0xA091, (0x91) Charging Current Limit via Sense Resistor (CHG_CUR) Settings, Bits [3:0]

Bit Setting	Current Limit	Bit Setting	Current Limit	Bit Setting	Current Limit	Bit Setting	Current Limit
0000	100 mA	0100	400 mA	1000	800 mA	1100	1200 mA
0001	100 mA	0101	500 mA	1001	900 mA	1101	1300 mA
0010	200 mA	0110	600 mA	1010	1000 mA	1110	1400 mA
0011	300 mA	0111	700 mA	1011	1100 mA	1111	1500 mA

3.5.3 CHARGER - Charging Termination Control Register

I²C Address = Page-0: 146(0x92), μ C Address = 0xA092

Bit	Bit Name	Def. Set.	User Type	Value	Description / Comments
[1:0]	CHG_TERM	00b	RW	(See Table 11)	Charging Termination Time and method after enter CV mode
[6:2]	TERM_TIMER	00001b	RW		CHG_TERM = 00; Termination Timer = TERM_TIMER x 2 minutes CHG_TERM = x1; Termination Timer = TERM_TIMER x 10 minutes
7	TERM_CUR	0b	RW	1 = 100mA 0 = 50mA	Termination Current

Table 11 – Register 0xA092 (0x92) Charging Termination Time (CHG_TERM) Settings Bits [1:0]

Bit 1	Bit 0	Description
0	0	Charge terminates when timer expires. Timer starts counting only once termination current is reached.
0	1	Charge terminates after timer expires. Timer start counting after enter CV mode.
1	0	Charge terminates when termination current is reached.
1	1	Charge terminates when either timer expires (start timer after enter CV mode) or termination current is reached.

3.5.4 CHARGER - Application Settings Register

I²C Address = Page-0: 147(0x93), μ C Address = 0xA093

Bit	Bit Name	Def. Set.	User Type	Value	Description / Comments
0	UVLO_VOL	0b	RW	1 = 3.95 V 0 = 4.15 V	Under-Voltage Lockout
[2:1]	RESERVED	00b	RW		RESERVED
[4:3]	BATGD_VOL	11b	RW	(See Table 13)	Battery Good Voltage Threshold, lower than this voltage will be charged with recovery charge method
[7:5]	REC_CHCUR	011b	RW	(See Table 12)	Battery Recovery Charge Current Control

Table 12 – Register 0xA093 (0x93) Battery Recovery Charge Current Control Settings Bits [7:5]

Bit 7	Bit 6	Bit 5	Description
0	0	0	25 mA
0	0	1	50 mA
0	1	0	75 mA
0	1	1	100 mA
1	0	0	125 mA
1	0	1	150 mA
1	1	0	175 mA
1	1	1	200 mA

Table 13 – Register 0xA093, (0x93) Battery Good Voltage Threshold Settings, Bits [4:3]

Bit 4	Bit 3	Description
0	0	2.50 Volts
0	1	2.60 Volts
1	0	2.70 Volts
1	1	2.80 Volts

3.5.5 CHARGER - Special Control Register

I²C Address = Page-0: 148(0x94), μ C Address = 0xA094

Bit	Bit Name	Def. Set.	User Type	Value	Description / Comments
0	DIS_CHARGER	0b	RW	1 = Disable 0 = Enable	Disable Charger
1	DIS_RCH	0b	RW	1 = Disable 0 = Enable	Disable Recharge
2	DIS_NTC	0b	RW	1 = Disable 0 = Enable	Disable NTC-Related Function
3	DIS_CV	0b	RW	1 = Disable 0 = Enable	Disable CV Loop
4	DIS_CC	0b	RW	1 = Disable 0 = Enable	Disable CC Loop
5	DIS_INST_ON	0b	RW	1 = Charging with Priority 0 = System Load with Priority	0: Charging is disabled when Vsys is lower than the 3.6V “instant-on” voltage. 1: Reduce charge current when Vsys is lower than the 3.6V “instant-on” voltage.
[7:6]	RESERVED	00b	RW		RESERVED

3.5.6 CHARGER - Status 1 Register

I²C Address = Page-0: 149(0x95), μ C Address = 0xA095

Bit	Bit Name	Def. Set.	User Type	Value	Description / Comments
0	IN_STAT	N/A	R	1 = Adpater Inserted 0 = Adapter Not Inserted	Adapter Inserted or not inserted
1	BAT_COLD	N/A	R	1 = Battery Too Cold 0 = Battery Temp OK	Battery too cold
2	BAT_HOT	N/A	R	1 = Battery Too Hot 0 = Battery Temp OK	Battery too hot
[4:3]	CHMODE	N/A	R	(See Table 14)	Current Charger Mode
5	BAT_FAULT	N/A	R	1 = Bat Unrecoverable 0 = Bat Chargeable	Battery Fault, battery voltage low and can not be recovered
6	CHRG_TIMEOUT	N/A	R	1=Timer Terminated 0=Not Timer Terminated	Charge Cycle Terminated by Timer
7	CL_STATUS	N/A	R	1=Current Is Limited 0=Current Not Limited	Input Current Limiting Status

Table 14 – Register 0xA095, (0x95) Current Charger Mode Settings, Bits [4:3]

Bit 4	Bit 3	Description
0	0	Charger On Hold
0	1	Battery Recovery Charge
1	0	Constant Current Mode
1	1	Constant Voltage Mode

3.5.7 CHARGER - Status 2 Register

I²C Address = Page-0: 150(0x96), μ C Address = 0xA096

Bit	Bit Name	Def. Set.	User Type	Value	Description / Comments
0	ANTISW_DISCH	N/A	R	1 = Discharging 0 = Not Discharging	Anti-Swell Discharge Status
1	NTC_INVALID	N/A	R	1 = NTC disabled 0 = NTC enabled	NTC function disabled by NTC short to GND
[3:2]	RESERVED	00b	R		RESERVED
4	IN_CHRG	N/A	R	1 = Charging 0 = Not Charging	In Process of Charging
5	CHRG_DONE	N/A	R	1 = Charge Complete 0 = Charge Not Complete	Charge Complete
6	VSYS_LT36	N/A	R	1 = $V_{SYS} < 3.6V$ 0 = $V_{SYS} \geq 3.6V$	$V_{SYS} < 3.6 V$
7	TEMP_HI	N/A	R	1 = Temp > 120°C 0 = Temp \leq 120°C	1: Charger thermal sensor detected Temperature > 120°C

3.5.8 CHARGER - Interrupt Status Register

I²C Address = Page-0: 151(0x97), μ C Address = 0xA097

Bit	Bit Name	Def. Set.	User Type	Value	Description / Comments
0	ADAPTER_INT	0b	RW1C	1 = IN_STAT Changed 0 = IN_STAT Not Changed	Adapter Input Status Changed
1	CUR_LIM_INT	0b	RW1C	1 = CL_STATUS Changed 0 = CL_STATUS Not Changed	Current Limit Status Changed
2	CHRG_DONE_INT	0b	RW1C	1 = Charge Done status low to high 0 = Charge Done status not change	Set when rising edge of CHRG_DONE status detected
[7:3]	RESERVED	00000b	RW		

3.5.9 CHARGER - Interrupt Enable Register

I²C Address = Page-0: 152(0x98), μ C Address = 0xA098

Bit	Bit Name	Def. Set.	User Type	Value	Description / Comments
0	ADAPTER_INT_EN	1b	RW	1 = Interrupt Enabled 0 = Interrupt Not Enabled	Adapter Input Interrupt Enable
1	CUR_LIM_INT_EN	0b	RW	1 = Interrupt Enabled 0 = Interrupt Not Enabled	Current Limit Interrupt Enable
2	CHRG_DONE_INT_EN	0b	RW	1 = Interrupt Enabled 0 = Interrupt Not Enabled	Charging DONE Interrupt Enable
[7:3]	RESERVED	00000b	RW		

3.5.10 CHARGER - RESERVED Registers:

Do not write to these registers. They are all *RESERVED* registers.

I²C Address = Page-0: 153(0x99), μ C Address = 0xA099

Thru = Page-0: 159(0x9F), μ C Address = 0xA09F

3.6 CHARGER - PRE-REGULATOR

The Pre-Regulator is a buck converter which can provide currents up to 2A. It monitors the external input voltage and, when this voltage is high enough, it regulates V_{SYS} to 3.6V or ($V_{BAT}+0.3V$) whichever is greater. The regulator will stop running if the input voltage is too low (UVLO).

This block will generate a status of whether the adapter input (V_{BUS}) is ready/powerd so system will be aware of the power source of the whole system, and can adjust the operating parameters accordingly.

The average input current is monitored and limited by the current limit settings. A resistor (600 Ω) from CLSEN to ground determines the upper limit of the current drawn from the V_{BUS} pin. A fraction of the V_{BUS} current is sent to the CLSEN pin when the synchronous switch of the Pre-Regulator is on. Several V_{BUS} current limit settings are available via input pin or

current limit configuration registers. If INT_ILIM (bit7) of current limit configuration register (0xA090) is 1, the current limit is defined by I_ILIM[2:0]. If INT_ILIM is 0, the current limit is defined by GPIO4/CHRG_ILIM pin. Low stands for 500mA current limit while high stands for 1.5A current limit. The default setting is 100mA when V_{SYS} is not ready at start up. When V_{SYS} is ready, the current limit value is obtained from the internal register setting, which can be a default setting (power up) or dynamic setting (after the external application processor programs it).

V_{SYS} drives both the system load and the battery charger. If the combined load does not cause the switching regulator to exceed the programmed input current limit, V_{SYS} will track approximately 0.3V above the battery. By keeping the voltage across the battery charger low, efficiency is optimized because power lost to the linear battery charger is minimized. Power available to the external load is therefore optimized.

If the combined system load at V_{SYS} is large enough to cause the switching power supply to reach the programmed input current limit, V_{SYS} will drop. Depending on the configuration, the battery charger will reduce its charge current when the V_{SYS} drop below 3.6V to enable the external load to be satisfied.

If the voltage at V_{BAT} is below 3.3V and the load requirement does not cause the switching regulator to exceed the programmed input current limit, V_{SYS} will regulate at 3.6V. If the load exceeds the available power, V_{SYS} will drop to a voltage between 3.6V and the battery voltage. Figure 10 shows the range of possible voltages at V_{SYS} as function of battery voltage.

For very low battery voltage, due to limited input power, charging current will tend to pull V_{SYS} below the 3.6V “instant-on” voltage. If instant-on operation under low battery conditions is a requirement then DIS_INST_ON of Charger Special Control Register (0xA094) should be set to 0. An under voltage circuit will automatic detects that V_{SYS} is falling below 3.6V and disable the battery charging. If maximum charge current at low battery voltage is preferred, the instant-on function should be disabled by setting DIS_INST_ON to 1. If the load exceed the current limit at V_{BUS} and the system is not in the instant-on mode, the battery charger will reduce its charge current when under voltage circuit detects V_{SYS} is falling below 3.6V.

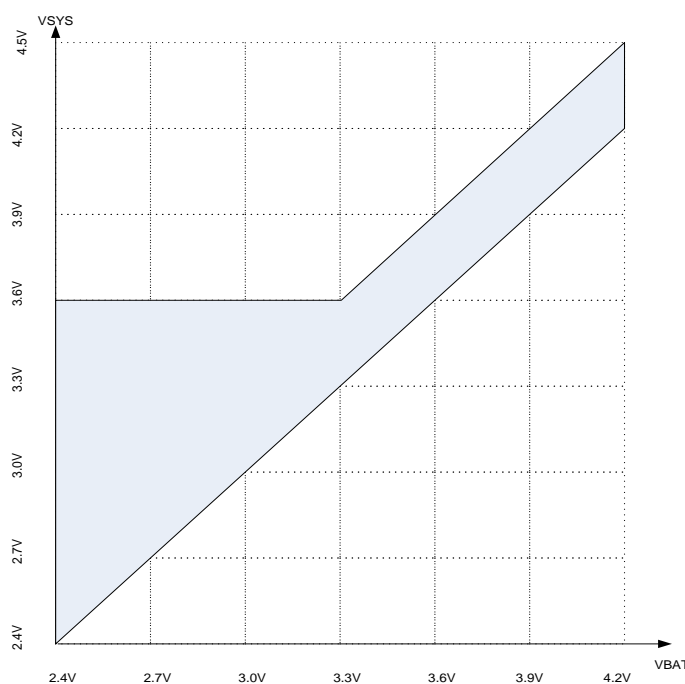


Figure 13 – V_{SYS} Regulation Curve (Tracking V_{BAT})

3.7 IDEAL DIODE FROM V_{BAT} TO V_{SYS}

The charger has an internal ideal diode as well as a controller for an optional external ideal diode. The ideal diode controller is always on and will respond quickly whenever V_{SYS} drops below V_{BAT} . If the load current increases beyond the power allowed from the switching regulator, additional power will be pulled from the battery via the ideal diode. Furthermore, if power to V_{BUS} (USB or wall power) is removed, then all of the application power will be provided by the battery via the ideal diode. The ideal diode consists of a precision amplifier that enables a large on-chip P-channel MOSFET transistor whenever the voltage at V_{SYS} is approximately 15mV below the voltage at V_{BAT} . The resistance of the internal ideal diode is approximately 180m Ω . If this is sufficient for the application, then no external components are necessary. However, if more current is needed, an external P-channel MOSFET transistor can be added from V_{BAT} to

V_{SYS} . When an external P-channel MOSFET transistor is present, the CHRG_GATE pin of P95020 drives its gate for automatic ideal diode control. The source of the external P-channel MOSFET should be connected to V_{SYS} and the drain should be connected to V_{BAT} .

3.8 CHARGER - CHARGER/DISCHARGER

The system includes a constant-current/constant-voltage battery charger with automatic recharge, automatic termination by termination current and safety timer, low voltage trickle charging, bad cell detection and thermistor sensor input for out of temperature charge pausing.

Battery Preconditioning

When a battery charge cycle begins, the battery charger first determines if the battery is deeply discharged. If the battery voltage is below V_{TRKL} , typically 2.8V, an automatic trickle charge feature sets the battery charge current to recover charge current (7 step 25mA/step programmable by Application Setting Register). If the low voltage persists for more than ½ hour, the battery charger automatically terminates and indicates via battery fault flag in the Status 1 Register that the battery is defective. Once the battery voltage is above V_{TRKL} , the battery charger begins charging in full power constant current mode. The current delivered to the battery will try to reach I_{CHG} (step 100mA, 1X ~15X programmable by Charging Configuration Register), the battery charger may or may not be able to charge at the full programmed rate. The external load will always be prioritized over the battery charge current. The USB (or Wall adapter) current limit programming will always be observed.

Charge Termination

When the voltage on the battery reaches the pre-programmed float voltage (4.1V or 4.2V), the battery charger enters constant voltage mode and the charge current will decrease as the battery becomes fully charged. The charger offers several methods to terminate a charge cycle by setting the Charging Termination Control Register bits[1:0]. Refer to the register definition section for the details.

Intelligent Start and Automatic Recharge

When the charger is initially powered on, the charger checks the battery voltage. If the V_{BAT} pin is below the recharge threshold of 3.9V (which corresponds to approximately 50-60% battery capacity), the charger enters charge mode and begins a full charge cycle. If the V_{BAT} pin is above 3.9V, the charger enters standby mode and does not begin charging. This feature reduces unnecessary charge cycle thus prolongs battery life. When the charger is in standby mode, the charger continuously monitors the voltage on the V_{BAT} pin. When the voltage drops below 3.9V and the temperature below 40°C, the charge cycle is automatically restarted and the safety timer and termination timer (if time termination is used) is reset to 50% of the programmed time. This feature eliminates the need for periodic charge cycle initiations and ensures the battery is always fully charged.

Battery Temperature Monitor

The battery temperature is measured by placing a negative temperature coefficient (NTC) thermistor close to the battery pack. To use this feature, connect the NTC thermistor, R_{NTC} , between the NTC and ground and a resistor, R_{NOM} , from VNTC to the NTC pin. R_{NOM} should be a 1% resistor with a value equal to the value of the chosen NTC thermistor at 25°C(R25). For applications requiring greater than 750mA of charging current, a 10k NTC thermistor is recommended. The charger will pause charging when the NTC thermistor drops to 0.54 times the value of R25 or approximately 5.4k. For a Vishay "Curve 1" thermistor, this corresponds to approximately 40°C. As the temperature drops, the resistance of the NTC thermistor rises. The charger will also pause charging when the value of the NTC thermistor increase to 3.25 times the value of R25. For Vishay "Curve 1" this resistance, 32.5k, corresponds to approximately 0°C. Grounding the NTC pin disables the NTC charge pausing function.

There is also a battery-discharge feature: when the battery is full and battery temperature go beyond 60°C, the NTC thermistor drops to 0.25 times the value of R25. The charger can discharge the battery to 3.9V for safety

The VNTC pin output is dynamically enabled to save power. The NTC measurement is triggered every 5 seconds. Each measurement takes 16ms.

3.9 CHARGER - THERMAL MONITORING

A thermal sensor is used in charging control, An internal thermal feedback loop reduces the charge current if the die temperature attempt to rise above the preset value of approximately 120°C. This feature protects the charger from excessive temperature and allows the pushing of the limits of the power handling capability of a given circuit board without the risk of damaging. This thermal sensor is not used for system level die-temperature detection.

3.10 CHARGER - POWER ON RESET

A Power-On reset circuit will generate a reset when the V_{SYS} power goes from low to high. The signal is used to reset all the logic powered directly or indirectly by V_{SYS} .

4.0 CLOCK GENERATOR MODULE

FEATURES

- High-quality, high-frequency external clock outputs generated from a TCXO input or a crystal connected between HXTALIN and HXTALOUT.
- 32.768 kHz crystal oscillator or 32.768 kHz clock input for system start-up
- 3.3V core operating voltage
- 1.2V/1.8V TCXO output voltage
- 3.3V SYS_CLK, USB_CLK and 32KHZ clock output voltages

DESCRIPTION

The P95020 includes a highly accurate, low power clock synthesizer designed exclusively for portable applications. The P95020 will generate high quality, high-frequency clock outputs from a 12 MHz, 13 MHz, 19.2 MHz or 26 MHz TCXO input or crystal oscillator. The P95020's clock generator (CKGEN) module also includes a 32 kHz oscillator and output, which are connected to a separate low power supply, to facilitate system start-up.

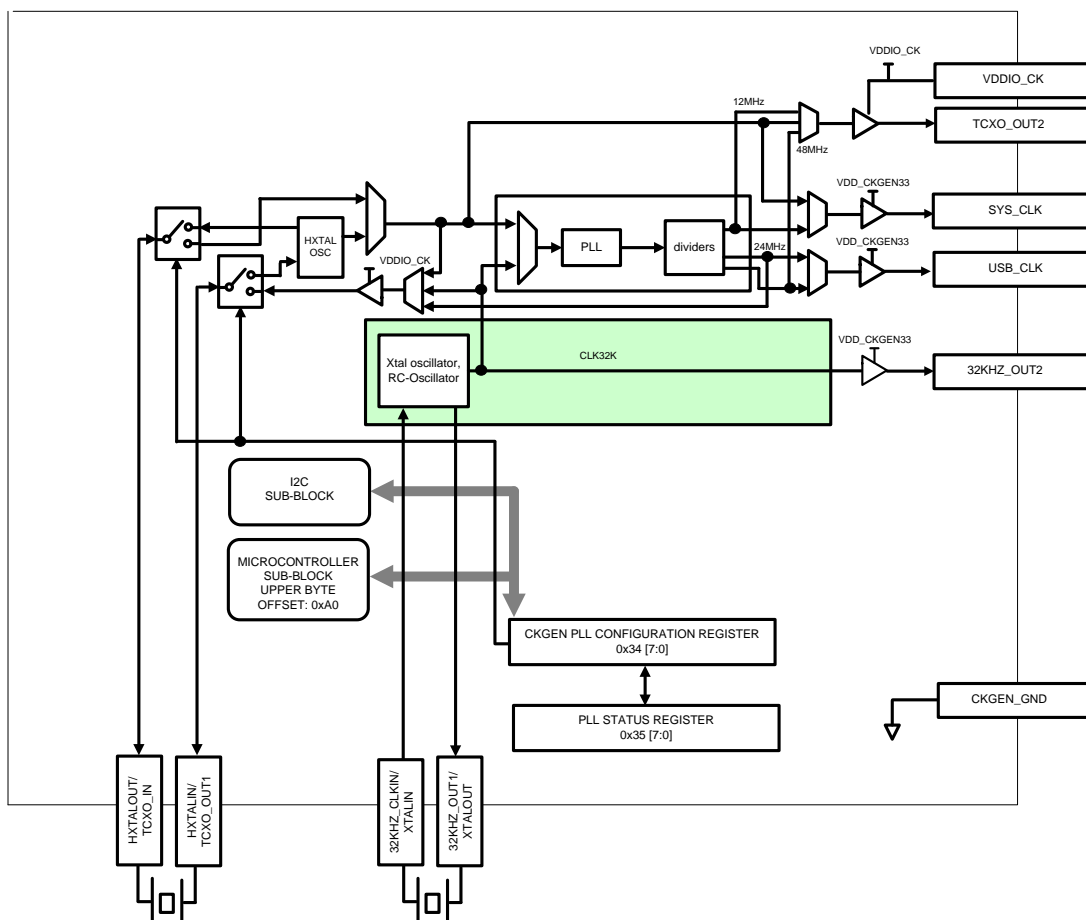


Figure 14 – Clock Generator Block Diagram

4.1 CKGEN - PIN DEFINITIONS

PIN #	PIN_ID	DESCRIPTION
041	32KHZ_OUT2	Buffered 32.768 kHz Output #2
042	CKGEN_GND	PLL Analog Ground
043	32KHZ_CLKIN/XTALIN	32KHZ_CLKIN: External 32.768 kHz clock input XTALIN : Input pin when used with an external crystal
044	XTALOUT/32KHZ_OUT1	XTALOUT: Output pin when used with an external crystal 32KHZ_OUT1: When XTALIN is connected to a 32 kHz input this pin can be a 32 kHz output when bit 4 of the CKGEN_PLL_STATUS register is set to 1.
045	VDD_CKGEN18	Internal 1.8V CKGEN LDO. Connect filter capacitor from this pin to CKGEN_GND
046	HXTALOUT/TCXO_IN	HXTALOUT: 12 MHz, 13 MHz, 19.2 MHz or 26 MHz Crystal oscillator output

		TCXO_IN: 12 MHz, 13 MHz, 19.2 MHz or 26 MHz TXCO Clock Input
047	VDD_CKGEN33	Internal 3.3V CKGEN LDO. Connect filter capacitor from this pin to CKGEN_GND
048	HXTALIN/TCXO_OUT1	HXTALIN: 12 MHz, 13 MHz, 19.2 MHz or 26 MHz Crystal Oscillator Input TCXO_OUT1: Buffered TCXO_IN/HXTAL Clock Output #1, 32.768 kHz Output, 24 MHz PLL Output
049	TCXO_OUT2	Buffered TCXO_IN/HXTAL Clock Output #2, 12 MHz PLL Output, 48 MHz PLL Output
050	SYS_CLKOUT	12 MHz Output or Buffered Output of TCXO_IN/HXTAL
051	CKGEN_GND	PLL Analog Ground
052	USB_CLKOUT	24 MHz or 48 MHz Output
053	VDDIO_CK	Power Supply Input for TCXO_OUT1 and TCXO_OUT2 (1.1V – 1.9V)

4.2 CKGEN - OSCILLATOR CIRCUIT ELECTRICAL CHARACTERISTICS

Unless otherwise specified, typical values at $T_A = 25^\circ\text{C}$, $V_{DD_CKGEN33} = 3.3\text{V}$, $V_{DD_CKGEN18} = 1.8\text{V}$, $V_{SYS} = 3.8\text{V}$, $T_A = -40^\circ\text{C}$ to $+85^\circ\text{C}$,

SYMBOL	PARAMETER	CONDITIONS	MIN	TYP	MAX	UNIT
VDD_CKGEN33	Operating Voltage	Internal LDO Regulator	2.97	3.3	3.63	V
VDD_CKGEN18		Internal LDO Regulator	1.62	1.8	1.98	V
VDDIO_CK		Power Input for TCXO_OUT1 and TCXO_OUT2	1.1		1.9	V
IDD_CKGEN33	Supply Current			4		mA
IDD_CKGEN18				1		mA
VDDIO_CK					2	
V_{IH}	TCXO_IN High Level Input Voltage		$0.7 \times V_{DD_CKGEN18}$		$V_{DD_CKGEN18} + 0.3$	V
V_{IL}	TCXO_IN Low Level Input Voltage		-0.3		$0.3 \times V_{DD_CKGEN18}$	V
V_{IH}	32KHZ_CLKIN High Level Input Voltage		$0.7 \times V_{LDO_LP}$		$V_{LDO_LP} + 0.3$	V
V_{IL}	32KHZ_CLKIN Low Level Input Voltage		-0.3		$0.3 \times V_{LDO_LP}$	V
V_{OH}	Output High for SYS_CLK, USB_CLK	$I_{OH} = -4\text{mA}$	$0.7 \times V_{DD_CKGEN33}$			V
V_{OL}	Output Low for SYS_CLK, USB_CLK	$I_{OL} = 4\text{mA}$			$0.3 \times V_{DD_CKGEN33}$	V
V_{OH}	Output High for 32KHZ_OUT2	$I_{OH} = -1\text{mA}$	$0.7 \times V_{DD_CKGEN33}$			V
V_{OL}	Output Low for 32KHZ_OUT2	$I_{OL} = 1\text{mA}$			$0.3 \times V_{DD_CKGEN33}$	V
V_{OH}	Output High for TCXO_OUT	$V_{DDIO_CK} = 1.8\text{V}$, $I_{OH} = -4\text{mA}$	$0.7 \times V_{DDIO_CK}$			V
V_{OL}	Output Low for TCXO_OUT	$V_{DDIO_CK} = 1.8\text{V}$, $I_{OL} = 4\text{mA}$			$0.3 \times V_{DDIO_CK}$	V
V_{OH}	Output High for TCXO_OUT	$V_{DDIO_CK} = 1.2\text{V}$, $I_{OH} = -1\text{mA}$	$0.7 \times V_{DDIO_CK}$			V
V_{OL}	Output Low for TCXO_OUT	$V_{DDIO_CK} = 1.2\text{V}$, $I_{OL} = 1\text{mA}$			$0.3 \times V_{DDIO_CK}$	V
f_{o_CLK32}	Input Frequency	32 kHz Clock		32.768		kHz
$f_{o_CLKTCXO}$	Input Frequency	TCXO_IN	12MHz, 13MHz, 19.2MHz, 26MHz			
ESR _{CLK32}	Series Resistance				45	k Ω
C_{L_CLK32}	Load Capacitance			6		pF
t_{OR}/t_{OF}	Output Rise Time/Fall Time 32 kHz output, Note 1	Between 20% to 80%,		5.0		ns
t_{OR}/t_{OF}	Output Rise Time/Fall Time SYS_CLK, USB_CLK output, Note 3	Between 20% to 80%,		1.2		ns
t_{OR}/t_{OF}	Output Rise Time/Fall Time Other outputs, Note 1	Between 20% to 80%,		1.8		ns
t_{SKEW}	Output-Output Skew	TCXO_1 to TXCO_2		± 50		ps
I_{OS}	Short Circuit Current	Clock outputs		± 70		mA
R_o	Output Impedance			20		Ω
$D_{CLOCKOUT}$	Output Clock Duty Cycle, Oscillator Buffered Output		40		60	%
$D_{CLOCKOUT}$	Output Clock Duty Cycle, PLL Output		45		55	%
$F_{SYN-ERR}$	Frequency Synthesis Error			0		ppm

ST _{JITTER}	Short Term Jitter (peak-to-peak)	24, 48 MHz Output	200	ps
		32 kHz Output	300	ns
t _{PU}	Power-up Time	From minimum VDD_CKGEN18 and VDD_CKGEN33 to outputs stable to ±1% Note 2	3	ms
		From stable crystal 32kHz input to stable output	300	ms

Notes:

1. Measured with a 5pF load.
2. Power-up time for TCXO derived output frequencies only after TCXO has stabilized.

4.3 CKGEN - PLL CONTROL

The PLL in the CKGEN module is powered on/off by setting bits [2:0] in the CKGEN_PLL_CFG register as shown below.

S2	S1	S0	PLL behavior
0	0	0	PLL OFF
0	0	1	PLL power up with 26MHz TCXO_IN as reference clock
0	1	0	PLL power up with 32kHz XTAL_IN as reference clock
0	1	1	PLL power up with 26MHz TCXO_IN as reference clock
1	0	0	PLL OFF
1	0	1	PLL power up with 12MHz TCXO_IN as reference clock
1	1	0	PLL power up with 13MHz TCXO_IN as reference clock
1	1	1	PLL power up with 19.2MHz TCXO_IN as reference clock

The 12 MHz and 48 MHz outputs are enabled/disabled by setting bits [7:6] in the CKGEN_PLL_CFG register. One or both of the clock outputs will be enabled when a “1” is written into the corresponding register location for the output in question.

4.4 CKGEN – OSCILLATOR CIRCUIT

The CKGEN module may use an external 32.768 kHz crystal connected to the XTALIN pin. The oscillator circuit does not require any external resistors or capacitors to operate. Table 15 specifies several crystal parameters for the external crystal. The typical startup time is less than one second when using a crystal with the specified characteristics.

Table 15 - Crystal Specifications

SYMBOL	PARAMETER	MIN	TYP	MAX	UNITS	COMMENTS
f _o	Nominal Frequency		32.768		kHz	
ESR	Series Resistance			80	kΩ	
C _L	Load Capacitance		12		pF	

4.5 CKGEN - CKGEN POWER SOURCE

The CKGEN module receives its power from an on-chip LDO. The CKGEN power is controlled via the “PSTATE_ON” bit in the Power State and Switch Control Register (see section 13.3.10). Setting that register is automatic whenever there is an interrupt targeting the embedded processor pending. The “PSTATE_ON” bit can be cleared by writing a logic “1” if software wants to power down the CKGEN. Please be aware that powering down the CKGEN should be the last operation by the software, since once CKGEN is powered down, there will be no clock for the internal register access bus and I²C. The P95020 has a minor delay when the PSTATE_ON bit is cleared to allow the “cleaning” access to be finished.

When CKGEN is powered, the 8M clock will be available so the I²C/processor will be active. The chip’s registers can be accessed. However, the PLLs will still not be on. To turn on the PLLs, S2:S0 registers need to be set.

4.6 CKGEN – CLOCK ACCURACY

The accuracy of the clock is dependent upon the accuracy of the crystal and the accuracy of the match between the capacitive load of the oscillator circuit and the capacitive load for which the crystal was trimmed. Additional error is added

by crystal frequency drift caused by temperature shifts. External circuit noise coupled into the oscillator circuit may result in the clock running fast. Pay attention to PC board layout for isolating the crystal and oscillator from noise.

4.7 CKGEN – CLOCK GENERATOR REGISTERS

4.7.1 CKGEN – CLOCK GENERATOR PLL CONFIGURATION REGISTER

I²C Address = Page-0: 52(0x34), μ C Address = 0xA034

Bit	Bit Name	Def. Set.	User Type	Value	Description / Comments
[2:0]	S2/S1/S0	000b	R/W	000b = PLL off 001b = PLL on, 26MHz TCXO_IN as reference clock 010b = PLL on, 32kHz XTAL_IN as reference clock 011b = PLL on, 26MHz TCXO_IN as reference clock 100b = PLL off 101 = PLL on, 12MHz TCXO_IN is reference clock 110b = PLL on, 13 MHz TCXO_IN is reference clock 111b = PLL on, 19.2 MHz TCXO_IN is reference clock	
3	CLK2M_RATE	0b	R/W	0b = 2 MHz 1b = 1 MHz	Tuch Screen Controller Clock
4	SSC_DELTA	0b	R/W	0b = +/- 1% 1b = +/- 2%	SSC frequency offset setting
5	SSC_EN	0b	R/W	0b = Disabled 1b = Enabled	DCDC 24MHz clock SSC enable
6	SYS_CLK_OUT_EN	1b	R/W	0b = Disabled 1b = Enabled	SYS_CLK clock output enabled
7	USB_CLK_OUT_EN	1b	R/W	0b = Disabled 1b = Enabled	USB_CLK clock output enable

4.7.2 CKGEN – PLL STATUS REGISTER

I²C Address = Page-0: 53(0x35), μ C Address = 0xA035

Bit	Bit Name	Def. Set.	User Type	Value	Description / Comments
0	PLL_LOCK1	0b	R	0b = Not locked 1b = Locked	Main PLL lock status
1	TCXO1_EN	0b	R/W	0b = Disabled 1b = Enabled	TCXO #1 enable
2	TCXO2_EN	0b	R/W	0b = Disabled 1b = Enabled	TCXO #2 enable
3	RESERVED	0b	R/W		RESERVED
4	32KOUT1_EN	0b	R/W	0b = Disabled 1b = Enabled	32K clock #1 enable
5	32KOUT2_EN	0b	R/W	0b = Disabled 1b = Enabled	32K clock #2 enable
6	32K_STABLE	0b	R	0b = Unstable 1b = Stable	32K oscillator or input stable
7	RESERVED	0b	R		RESERVED

4.7.3 CKGEN – CKGEN CONFIGURATION REGISTER

I²C Address = Page-0: 61(0x3D), μ C Address = 0xA03D

Bit	Bit Name	Def. Set.	User Type	Value	Description / Comments
0	OEB_HXTAL	1b	R/W	0b = HXTALIN/TCXO_OUT1 is HXTALIN and HXTALOUT/TCXO_IN is HXTALOUT 1b = HXTALIN/TCXO_OUT1 is TCXO_OUT1 and HXTALOUT/TCXO_IN is TCXO_IN	HXTALIN/TCXO_OUT1 and HXTALOUT/TCXO_IN Select
1	OUT48M_C	0b	R/W	0b = Output is 48MHz clock from PLL 1b = Output is 24MHz clock from PLL	USB_CLK Select
2	OUT12M_C	0b	R/W	0b = Output is 12MHz clock from PLL 1b = Output is from HXTALOUT/TCXO_IN	SYS_CLK Select
[4:3]	TCXO2_C	00b	R/W	00b = TCXO_OUT2 is from HXTALOUT/TCXO_IN 01b = TCXO_OUT2 is 12 MHz clock from PLL 10b = 11b = TCXO_OUT2 is 48 MHz clock from PLL	TCXO_OUT2 Select
[6:5]	TCXO1_C	0b	R/W	00b = TCXO_OUT1 is from HXTALOUT/TCXO_IN 01b = TCXO_OUT1 is from 32KHZ_CLKIN 10b = 11b = TCXO_OUT1 is 24 MHz clock from PLL	TCXO_OUT1 Select
7	TCXO_HV_ENB	0b	R/W	0b = VDDIO_CK is 1.8V, TCXO_OUT1/2 drive strength weak 1b = TCXO VDDIO_CK is 1.2V, TCXO_OUT1/2 drive strength strong	VDDIO_CK

5.0 RTC MODULE

FEATURES

- Real Time Clock (RTC) Counts Seconds, Minutes, Hours, Day, Date, Month and Year (with Leap-Year Compensation Valid Up to year 2100)
 - ◆ Two time-of-day alarms
 - ◆ Low power

DESCRIPTION

The low power serial real-time clock (RTC) device has two programmable time-of-day alarms. Address and data are transferred serially through the I²C bus. The device provides seconds, minutes, hours, day, date, month and year information. The date at the end of the month is automatically adjusted for months with fewer than 31 days, including corrections for leap year. The clock operates in either 24-hour format or 12-hour format with AM/PM indicator.

5.1 RTC - GENERAL DESCRIPTION

The Real-Time Clock (RTC) block is a low-power clock/date device with two programmable time-of-day/date alarms. The clock/date provides seconds, minutes, hours, day, date, month and year information. The date at the end of the month is automatically adjusted for months with fewer than 31 days, including corrections for leap years. The clock operates in either the 24-hour or 12-hour format with an AM/PM indicator. The RTC cannot be disabled while the system is powered on. The register settings and logic are only reset the first time the system is powered on by inserting either the wall adapter or the battery. After reset, the time keeping registers are reset and must be synchronized to the real time by programming its time keeping registers. The alarm interrupts are disabled by default.

The time and date information is set and monitored by writing and reading the appropriate register bytes. Sections 5.2 and 5.3 below show the RTC TIMEKEEPER and RTC DATE registers. The contents of the time and date registers are in BCD format. The RTC block can be run in either 12-hour or 24-hour mode. Bit 6 of the HOUR register is defined as the 12-hour or 24-hour mode-select bit. When high, the 12-hour mode is selected. In 12-hour mode, bit 5 is the PM bit with logic high being PM. In the 24-hour mode, bit 5 is the second 10-hour bit (20 to 23 hours). All hour values, including the alarms, must be re-entered whenever the TIME_12 mode bit is changed. The century bit (bit 7 of the month register) is toggled when the YEAR register overflows from 99 to 0. The days register increments at midnight. Values that correspond to the day of week are user-defined, but must be sequential (i.e., if 1 equals Sunday, then 2 equals Monday and so on). Illogical time and date entries result in undefined operation.

When reading or writing the time and date registers, secondary (user) buffers are used to prevent errors when the internal registers update. When reading the time and date registers, the user buffers are synchronized to the internal registers at the time of reading address pointing to zero. The countdown chain is reset whenever the seconds register is written. Write transfer occurs when the processor bus receives a write command. To avoid rollover issues, once the countdown chain is reset, the remaining time and date registers must be written within 0.5 second.

The RTC block contains two time-of-day/date alarms. The alarms can be programmed (via the alarm enable and INT_EN bits of the control registers defined in section 5.5) to activate the interrupt (INT) output when an alarm match condition occurs. Bit 7 of each of the time of day/date alarm registers are mask bits (Table 2). When all the mask bits for each alarm are logic 0 an alarm occurs only when the values in the timekeeping registers 00h to 04h match the values stored in the time-of-day/date alarm register. The alarms can also be programmed to repeat every second, minute, hour, day or date. Table 16 shows the possible settings.

Table 16 - Alarm mask bits

DY1	A1M4	A1M3	A1M2	A1M1	Alarm rate
X	1	1	1	1	Alarm once per second
X	1	1	1	0	Alarm when seconds match
X	1	1	0	0	Alarm when minutes and seconds match
X	1	0	0	0	Alarm when hours, minutes, and seconds match
0	0	0	0	0	Alarm when date, hours, minutes, and seconds match
1	0	0	0	0	Alarm when day, hours, minutes, and seconds match

DY2	A2M4	A2M3	A2M2	A2M1	Alarm rate
X	1	1	1	1	Alarm once per second
X	1	1	1	0	Alarm when seconds match
X	1	1	0	0	Alarm when minutes and seconds match
X	1	0	0	0	Alarm when hours, minutes, and seconds match
0	0	0	0	0	Alarm when date, hours, minutes, and seconds match
1	0	0	0	0	Alarm when day, hours, minutes, and seconds match

The DY1 bit (bit 6 of the day/date alarm 1 value register) control whether the alarm value stored in bits 0 to 5 of that register reflects the day of the week or the date of the month. If DY1 is written to a logic 0, the alarm is the result of a match with date of the month. If DY1 is written to a logic 1, the alarm is the result of a match with day of the week. The DY2 bit serves the same function for the day/date alarm 2 value register.

The RTC block checks for an alarm match once per second. When the RTC register values match the alarm register settings, the corresponding Alarm Flag (A1_FLAG or A2_FLAG) bit is set to logic 1. If the corresponding Alarm Interrupt Enable "A1_EN" or "A2_EN" is also set to logic 1, the alarm condition activates the INT signal. The INT remains active until the alarm flag is cleared by the user.

5.2 RTC - TIMEKEEPER REGISTERS

The time for the RTC module can be controlled and monitored by writing and reading 8-bit control words to the various registers described below.

5.2.1 RTC_SEC – RTC Seconds Register

The full range of the seconds counter is 0 through 59.

I²C Address = Page-0: 64(0x40), μ C Address = 0xA040

Bit	Bit Name	Def. Set.	User Type	Value	Description / Comments
[3:0]	SECOND	0h	R/W	0000 = 0, 0001 = 1, etc.	Second counter, BCD format, low bits. Range: 0~9
[6:4]	SECOND_10	000b	R/W	000 = 0, 001 = 1, etc.	Second counter, BCD format, high bits. Range: 0~5
7	RESERVED		R/W		RESERVED

5.2.2 RTC_MIN – RTC Minutes Register

The full range of the minutes counter is 0 through 59.

I²C Address = Page-0: 65(0x41), μ C Address = 0xA041

Bit	Bit Name	Def. Set.	User Type	Value	Description / Comments
[3:0]	MINUTE	0h	R/W	0000 = 0, 0001 = 1, etc.	Minute counter, BCD format, low bits. Range: 0~9
[6:4]	MINUTE_10	000b	R/W	000 = 0, 001 = 1, etc.	Minute counter, BCD format, high bits. Range: 0~5
7	RESERVED		R/W		RESERVED

5.2.3 RTC_HR – RTC Hours Register

The full range of the hour counter is 1 through 12 when 12-hour mode is selected, or 0 through 23 when 24-hour mode is selected.

I²C Address = Page-0: 66(0x42), μ C Address = 0xA042

Bit	Bit Name	Def. Set.	User Type	Value	Description / Comments
[3:0]	HOUR	0h	R/W		Hour counter, BCD format, low bits. Range: 0~9
4	HOUR_10	0b	R/W		Hour counter, BCD format, high bits. LSB of HOUR_10.
5	PM	0b	R/W		When 12-hour mode is selected, 1 = PM, 0 = AM When 24-hour mode is selected, this bit is MSB of HOUR_10
6	TIME_12	0b	R/W	1 = 12-hour mode is selected 0 = 24-hour mode is selected	12-hour or 24-hour mode selection bit.
7	RESERVED		R/W		RESERVED

5.3 RTC - DATE REGISTERS

The date for the RTC module can be controlled and monitored by reading and writing 8-bit control words to the various registers described below.

5.3.1 RTC_DAY – RTC Day Register

I²C Address = Page-0: 67(0x43), μ C Address = 0xA043

Bit	Bit Name	Def. Set.	User Type	Value	Description / Comments
[2:0]	DAY	000b	R/W		Day counter, BCD format. Range: 1~7
[7:3]	RESERVED		R/W		RESERVED

5.3.2 RTC_DATE – RTC Date Register

The full range of the date counter is 1 through 31.

I²C Address = Page-0: 68(0x44), μ C Address = 0xA044

Bit	Bit Name	Def. Set.	User Type	Value	Description / Comments
[3:0]	DATE	1h	R/W	Check default	Date counter, BCD format, low bits. Range: 0~9
[5:4]	DATE_10	00b	R/W		Date counter, BCD format, high bits. Range: 0~3
[7:6]	RESERVED		R/W		RESERVED

5.3.3 RTC_MONTH – RTC Month Register

The full range of the month counter is 1 through 12.

I²C Address = Page-0: 69(0x45), μ C Address = 0xA045

Bit	Bit Name	Def. Set.	User Type	Value	Description / Comments
[3:0]	MONTH	1h	R/W	Check default	Month counter, BCD format, low bits. Range: 0~9
4	MONTH_10	0b	R/W		Month counter, BCD format, high bit. Range: 0~1
[6:5]	RESERVED		R/W		RESERVED
7	CENTURY	0b	R/W	1 - 100 years 0 = 0 year	Century bit is toggled when the year counter overflows from 99 to 0.

5.3.4 RTC – Year Register

The full range of the year counter is 0 through 99.

I²C Address = Page-0: 70(0x46), μ C Address = 0xA046

Bit	Bit Name	Def. Set.	User Type	Value	Description / Comments
[3:0]	YEAR	0h	R/W		Year counter, BCD format, low bits. Range: 0~9
[7:4]	YEAR_10	0h	R/W		Year counter, BCD format, high bit. Range: 0~9

5.4 RTC - ALARM REGISTERS

The two alarms supported by the RTC module can be controlled and monitored by writing 8-bit control words to the various registers described below.

5.4.1 RTC_AL1_SEC – RTC Second Alarm 1 Value Register

I²C Address = Page-0: 71(0x47), μ C Address = 0xA047

Bit	Bit Name	Def. Set.	User Type	Value	Description / Comments
[3:0]	SECOND_VAL1	0h	R/W		Second alarm value, BCD format, low bits. Range: 0~9
[6:4]	SECOND_10_VAL1	000b	R/W		Second alarm value, BCD format, high bits. Range: 0~5
7	A1M1	0b	R/W		Alarm 1, mask bit 1

5.4.2 RTC_AL1_MIN – RTC Minute Alarm 1 Value Register

I²C Address = Page-0: 72(0x48), μ C Address = 0xA048

Bit	Bit Name	Def. Set.	User Type	Value	Description / Comments
[3:0]	MINUTE_VAL1	0h	R/W		Second alarm value, BCD format, low bits. Range: 0~9
[6:4]	MINUTE_10_VAL1	000b	R/W		Second alarm value, BCD format, high bits. Range: 0~5
7	A1M2	0b	R/W		Alarm 1, mask bit 2

5.4.3 RTC_AL1_HR – RTC Hour Alarm 1 Value Register

I²C Address = Page-0: 73(0x49), μ C Address = 0xA049

Bit	Bit Name	Def. Set.	User Type	Value	Description / Comments
[3:0]	HOUR_VAL1	0h	R/W		Hour alarm value, BCD format, low bits. Range: 0~9
4	HOUR_10_VAL1	0b	R/W		Hour alarm value, BCD format, high bits. LSB of HOUR_10_VAL.
5	PM_VAL1	0b	R/W		When TIME_12_VAL equals to 1: 1 = PM, 0 = AM When TIME_12_VAL equals to 0, this bit is MSB of HOUR_10_VAL.
6	TIME_12_VAL1	0b	R/W	1 = 12-hour alarm mode is selected 0 = 24-hour alarm mode is selected	12-hour alarm or 24-hour alarm mode selection bit.
7	A1M3	0b	R/W		Alarm 1, mask bit 3

5.4.4 RTC_AL1_DAY – Day or Date Alarm 1 Value Register

I²C Address = Page-0: 74(0x4A), μ C Address = 0xA04A

Bit	Bit Name	Def. Set.	User Type	Value	Description / Comments
[3:0]	DAY_DATE_VAL1	0h	R/W		Day alarm value or date alarm value, low bits. BCD format. When DY equals to 1, This value is day alarm value, Range: 1~7. When DY equals to 0, This value is date alarm value, Range: 0~9
[5:4]	DATE_10_VAL1	00b	R/W		Date alarm value, BCD format, high bits. Range: 0~3
6	DY1	0b	R/W	1 = last 4 bits of this register are day alarm value. 0 = last 4 bits of this register are date alarm value.	Day/Date alarm select
7	A1M4	0b	R/W		Alarm 1, mask bit 4

5.4.5 RTC_AL2_SEC – Second Alarm 2 Value Register

I²C Address = Page-0: 75(0x4B), μ C Address = 0xA04B

Bit	Bit Name	Def. Set.	User Type	Value	Description / Comments
[3:0]	SECOND_VAL1	0h	R/W		Second alarm value, BCD format, low bits. Range: 0~9
[6:4]	SECOND_10_VAL1	000b	R/W		Second alarm value, BCD format, high bits. Range: 0~5
7	A2M1	0b	R/W		Alarm 2, mask bit 1

5.4.6 RTC_AL2_MIN – Minute Alarm 2 Value Register

I²C Address = Page-0: 76(0x4C), μ C Address = 0xA04C

Bit	Bit Name	Def. Set.	User Type	Value	Description / Comments
[3:0]	MINUTE_VAL2	0h	R/W		Second alarm value, BCD format, low bits. Range: 0~9
[6:4]	MINUTE_10_VAL2	000b	R/W		Second alarm value, BCD format, high bits. Range: 0~5
7	A2M2	0b	R/W		Alarm 2, mask bit 2

5.4.7 RTC_AL2_HR - Hour Alarm 2 Value Register

I²C Address = Page-0: 77(0x4D), μ C Address = 0xA04D

Bit	Bit Name	Def. Set.	User Type	Value	Description / Comments
[3:0]	HOUR_VAL2	0h	R/W		Hour alarm value, BCD format, low bits. Range: 0~9
4	HOUR_10_VAL2	0b	R/W		Hour alarm value, BCD format, high bits. LSB of HOUR_10_VAL.
5	PM_VAL2	0b	R/W		When TIME_12_VAL equals to 1: 1 = PM, 0 = AM When TIME_12_VAL equals to 0, this bit is MSB of HOUR_10_VAL.
6	TIME_12_VAL2	0b	R/W	1 = 12-hour alarm mode is selected 0 = 24-hour alarm mode is selected	12-hour alarm or 24-hour alarm mode selection bit.
7	A2M3	0b	R/W		Alarm 2, mask bit 3

5.4.8 RTC_AL2_DAY – Day or Date Alarm 2 Value Register

I²C Address = Page-0: 78(0x4E), μ C Address = 0xA04E

Bit	Bit Name	Def. Set.	User Type	Value	Description / Comments
[3:0]	DAY_DATE_VAL2	0h	R/W		Day alarm value or date alarm value, low bits. BCD format. When DY equals to 1, This value is day alarm value, Range: 1~7. When DY equals to 0, This value is date alarm value, Range: 0~9
[5:4]	DATE_10_VAL2	00b	R/W		Date alarm value, BCD format, high bits. Range: 0~3
6	DY2	0b	R/W	1 = last 4 bits of this register are day alarm value. 0 = last 4 bits of this register are date alarm value.	
7	A2M4	0b	R/W		Alarm 2, mask bit 4

5.5 RTC - INTERRUPT REGISTERS

The interrupts for the RTC module can be controlled and monitored by writing 8-bit control words to the various registers described below.

5.5.1 RTC_INT_CTL – RTC Interrupt Control Register

I²C Address = Page-0: 79(0x4F), μ C Address = 0xA04F

Bit	Bit Name	Def. Set.	User Type	Value	Description / Comments
0	A1_EN	0b	R/W	1: interrupt enable 0: interrupt disable	Alarm 1 interrupt enable
1	A2_EN	0b	R/W	1: interrupt enable 0: interrupt disable	Alarm 2 interrupt enable
[7:2]	RESERVED		R/W		RESERVED

5.5.2 RTC_INT_ST – RTC Interrupt Status Register

A logic '1' in the A1_FLAG bit indicates that the time matched the value programmed into the registers for alarm 1. If the A1_EN bit is set to a logic '1' at the time the A1_FLAG goes to logic '1', the INT pin will be asserted. The A1_FLAG is cleared when a logic '1' is written to this register location. This bit can only be written to logic '1'. Attempting to write a logic '0' leaves the value unchanged.

A logic '1' in the A2_FLAG bit indicates that the time matched the value programmed into the registers for alarm 2. If the A2_EN bit is set to a logic '1' at the time the A2_FLAG goes to logic '1', the INT pin will be asserted. The A2_FLAG is cleared when a logic '1' is written to this register location. This bit can only be written to logic '1'. Attempting to write a logic '0' leaves the value unchanged.

I²C Address = Page-0: 80(0x50), μ C Address = 0xA050

Bit	Bit Name	Def. Set.	User Type	Value	Description / Comments
0	A1_FLAG	0b	RW1C	1: time match alarm 1 value 0: No match	Alarm 1 interrupt flag
1	A2_FLAG	0b	RW1C	1: time match alarm 2 value 0: No match	Alarm 2 interrupt flag
[7:2]	RESERVED		R/W		RESERVED

5.6 RTC RESERVED REGISTERS

5.6.1 RTC - RESERVED Registers

These registers are reserved. Do not write to them.

I²C Address = Page-0: 81(0x51), μ C Address = 0xA051

I²C Address = Page-0: 94(0x5F), μ C Address = 0xA05F

6.0 GENERAL PURPOSE TIMERS

6.1 GENERAL PURPOSE TIMERS – GENERAL DESCRIPTION

The P95020 includes two independent general purpose timers. The first is an 8-bit General Purpose Timer that operates on a user-selectable time base of 32.768 kHz, 1024 Hz, 1Hz, or 1 Minute. The second is an 8-bit Watchdog Timer that operates on a user-selectable time base of 8Hz, 1Hz, 0.5Hz, or 1 Minute

6.1.1 GENERAL PURPOSE TIMER

To use the General Purpose Timer (GP), an 8-bit value must be loaded in to the General Purpose Timer Count Register and a time base (count interval) value must also be loaded into bits [1:0] of the General Purpose Timer Timebase Register. The General Purpose Timer can then be enabled by writing a logic '1' into bit 0 (GPT_EN) of the General Purpose Timer Enable Register. The General Purpose Timer will then begin counting and continue until the count value is equal to the value specified in the General Purpose Timer Count Register (timeout value). When the timeout value is reached, the GPTIMEOUT bit is set to a logic '1' in the Timer Interrupt Status Register. If the General Purpose Timer Interrupt has been enabled by setting bit 0 in the Timer Interrupt Register to a logic '1' then an interrupt is generated to alert the system that the timeout value has been reached. THE GPTIMEOUT bit is cleared by writing a logic '1' to the GPTIMEOUT bit in the Timer Interrupt Status Register. Following the interrupt, the General Purpose Timer will stop and reset to 0. Bit 0 of the General Purpose Timer Enable Register is also reset to 0 following the interrupt. However, the content of General Purpose Timer Count Register and the General Purpose Timer Timebase Value Registers are maintained and the count cycle can be repeated by writing a logic '1' to GPT_EN. When the General Purpose Timer is counting, writing a logic '0' to GPT_EN will reset and stop the timer.

6.1.2 WATCHDOG TIMER

To use the Watchdog Timer (WD), an 8-bit value must be loaded in to the Watchdog Timer Count Register and a time base (count interval) value must also be loaded into bits [5:4] of the General Purpose Timer Timebase Register. The Watchdog Timer can then be enabled by writing a logic '1' into bit 0 (WDT_EN) of the Watchdog Timer Enable Register. The Watchdog Timer will then begin counting and continue until the count value is equal to the value specified in the Watchdog Timer Count Register (timeout value). When the timeout value is reached, the WDTIMEOUT bit is set to a logic '1' in the Timer Interrupt Status Register. If the Watchdog Timer Interrupt has been enabled by setting bit 4 in the Timer Interrupt Register to a logic '1' then an interrupt is generated to alert the system that the timeout value has been reached. THE WDTIMEOUT bit is cleared by writing a logic '1' to the WDTIMEOUT bit in the Timer Interrupt Status Register. Following the interrupt, the Watchdog Timer will stop and reset to 0. Bit 0 of the Watchdog Timer Enable Register is also reset to 0 following the interrupt. The Watchdog Timer can be reset anytime during the count interval by writing a logic '1' to bit 4 of the Watchdog Timer Enable Register before the timer times out to prevent an interrupt from being generated. After reset the Watchdog Timer restarts automatically.

6.2 GENERAL PURPOSE TIMERS – REGISTERS

6.2.1 PCON_GPT - GENERAL PURPOSE TIMER GLOBAL ENABLE REGISTER

I²C Address = Page-0: 58(0x3A), μ C Address = 0xA03A

Bit	Bit Name	Def. Set.	User Type	Value	Description / Comments
0	GPT_G_EN	0b	R/W	0 = Disabled 1 = Enabled	Enable GPT. Disabled GPT retains time value settings but the clock is gated (low power mode).
[7:1]	RESERVED		R/W		RESERVED

6.2.2 WATCHDOG TIMER ENABLE REGISTER

I²C Address = Page-0: 160(0xA0), μ C Address = 0xA0A0

Bit	Bit Name	Def. Set.	User Type	Value	Description / Comments
0	WDT_EN	0b	R/W	0 = Reset 1 = enable count	Watchdog timer enable/disable
[3:1]	RESERVED		R/W		RESERVED
4	WDT_RST	0b	R/W1A	Write 1 to reset. Read always returns 0.	Watchdog timer reset. Write 1 to reset. Read always returns 0.
[7:5]	RESERVED		R/W		RESERVED

6.2.3 GENERAL PURPOSE TIMER ENABLE REGISTERI²C Address = Page-0: 161(0xA1), μ C Address = 0xA0A1

Bit	Bit Name	Def. Set.	User Type	Value	Description / Comments
0	GPT_EN	0b	R/W	0 = Reset 1 = Enable Count	General Purpose Timer Enable
[7:1]	RESERVED		R/W		RESERVED

6.2.4 TIMER INTERRUPT STATUS REGISTERI²C Address = Page-0: 162(0xA2), μ C Address = 0xA0A2

Bit	Bit Name	Def. Set.	User Type	Value	Description / Comments
0	GPTIMEOUT	0b	RW1C	1: Reached Timeout Count 0: Timeout Count Not Reached	General Purpose Timer Timeout. Write '1' to clear.
[3:1]	RESERVED	000b	R/W		RESERVED
4	WDTIMEOUT	0b	RW1C	1: Reached Timeout Count 0: Timeout Count Not Reached	Watchdog Timer Timeout. Write '1' to clear.
[7:5]	RESERVED	000b	R/W		RESERVED

6.2.5 GENERAL PURPOSE TIMER COUNT REGISTERI²C Address = Page-0: 163(0xA3), μ C Address = 0xA0A3

Bit	Bit Name	Def. Set.	User Type	Value	Description / Comments
[7:0]	GPTIME	FFh	R/W	User programmed number of cycles to timeout	General Purpose Timer Count

6.2.6 WATCHDOG TIMER COUNT REGISTERI²C Address = Page-0: 164(0xA4), μ C Address = 0xA0A4

Bit	Bit Name	Def. Set.	User Type	Value	Description / Comments
[7:0]	WDTIME	FFh	R/W	User programmed number of cycles to timeout	Watchdog Timer Count

6.2.7 GENERAL PURPOSE TIMER TIMEBASE REGISTERI²C Address = Page-0: 165(0xA5), μ C Address = 0xA0A5

Bit	Bit Name	Def. Set.	User Type	Value	Description / Comments
[1:0]	GPTB	00b	R/W	00: 32.768 kHz 01: 1024 Hz 10: 1 Hz 11: 1 Minute	General Purpose Timer Timebase
[3:2]	RESERVED		R/W		RESERVED
[5:4]	WDTB	00b	R/W	00: 8 Hz 01: 1 Hz 10: 0.5 Hz 11: 1 Minute	Watchdog Timer Timebase
[7:6]	RESERVED		R/W		RESERVED

6.2.8 TIMER INTERRUPT ENABLE REGISTERI²C Address = Page-0: 166(0xA6), μ C Address = 0xA0A6

Bit	Bit Name	Def. Set.	User Type	Value	Description / Comments
0	GPT_INTEN	0b	R/W	1: Enabled 0: Disabled	General Purpose Timer Interrupt Enable
[3:1]	RESERVED	000b	R/W		RESERVED
4	WDT_INTEN	0b	R/W	1: Enabled 0: Disabled	Watchdog Timer Interrupt Enable
[7:5]	RESERVED	000b	R/W		RESERVED

6.2.9 GP TIMER - *RESERVED* Registers

These registers are reserved. Do not write to them.

I²C Address = Page-0: 167 (0xA7), μ C Address = 0xA0A7
Thru = Page-0: 175 (0xAF), μ C Address = 0XA0AF

7.0 DC_DC MODULE

To use the DC_DC regulators, the CKGEN PLLs need to be powered on since the DC_DC needs a 24 MHz clock to operate. To turn on DC_DC regulators, the global enable bits need to be programmed to “enable”. First, program the DC_DC voltage/ current limit settings and then set the “enable” bit for that particular DC_DC regulator.

The DC_DC Module can be controlled and monitored by writing 8-bit control words to the various registers. The Base addresses are defined in [Table 3 – Register Address Global Mapping](#) on page 20.

Table 17 – DC-DC Block Registers (Including the CLASS_D BTL Power Bridge)

Name	Size (Bytes)	I ² C Address	Base Address	Description	Register Definition Location
BUCK500_0 (BC0)	2	Page-0: 128(0x80)	0xA080	Buck Converter #0, 500 mA	Page 76 Section 8.2
BUCK500_1 (BC1)	2	Page-0: 128(0x82)	0xA082	Buck Converter #1, 500 mA	Page 76 Section 8.2
BUCK1000 (BC2)	2	Page-0: 128(0x84)	0xA084	Buck Converter #2, 1000 mA	Page 76 Section 8.2
LED_BOOST	2	Page-0: 128(0x86)	0xA086	LED_BOOST LED Driver, Including Sinks	Page 83 Section 0
BOOST5	2	Page-0: 128(0x88)	0xA088	BOOST5 5V Boost Converter	Page 89 Section 0
CLASS_D	4	Page-0: 140(0x8A)	0xA08A	CLASS_D BTL Power Bridge	Page 93 Section 11.1
RESERVED	2	Page-0: 140(0x8E)	0xA08E	RESERVED	

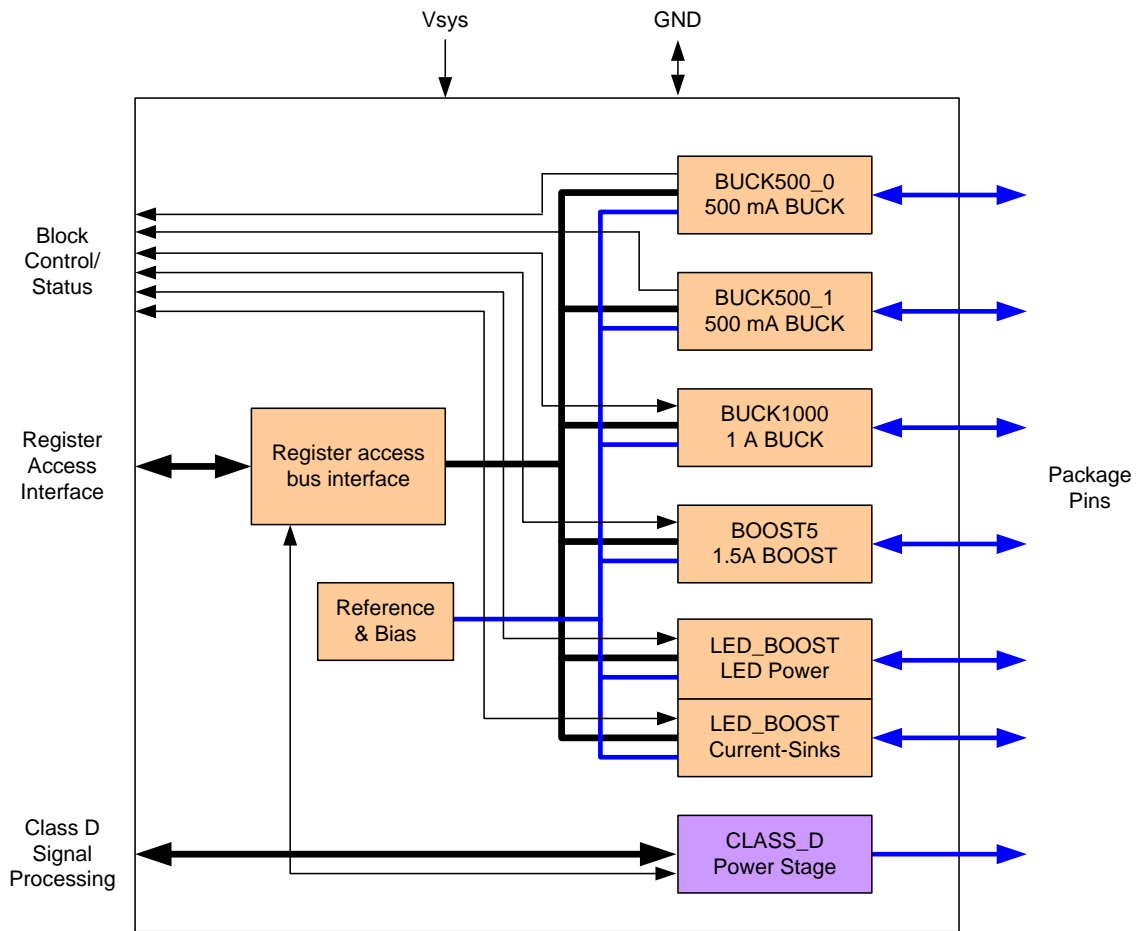


Figure 15 DC_DC Block Diagram

8.0 2MHz, 500mA & 1000mA SYNCHRONOUS BUCK REGULATORS

FEATURES

- Output Voltage from 0.75V to 3.70V
 - ◆ Programmable in 25mV steps
 - ◆ Default is mask programmed
- Current Output: BUCK500_0: 500 mA
 BUCK500_1: 500 mA
 BUCK1000: 1000 mA
- Peak Efficiency up to 93%
- Current Mode Control, internally compensated
- Selectable Operation in PWM or PFM Mode
- Initialization and Power Sequencing can be controlled by a host & registers
- Short Circuit Protection and Programmable Cycle by Cycle Overcurrent Limit
 - ◆ Internal inductor current sensing
 - ◆ Four (4) preset current limit steps:
25%, 50%, 75% and 100% of full current limit
- Soft Start - Slew Rate Controlled

DESCRIPTION

There are three Buck Converters in the P95020. They are identical except for their output current ratings.

The two BUCK500 power supplies (BUCK500_0 and BUCK500_1) each provide 0.75V to 3.70V at up to 500 mA.

The BUCK1000 power supply provides 0.75V to 3.70V at up to 1000 mA.

All Buck Converters are internally compensated, each requiring a single input bypass capacitor and an output filter consisting of one L and one C component.

APPLICATIONS

The primary usage is to power Digital Cores, Application Processors, and RF Power Amplifiers.

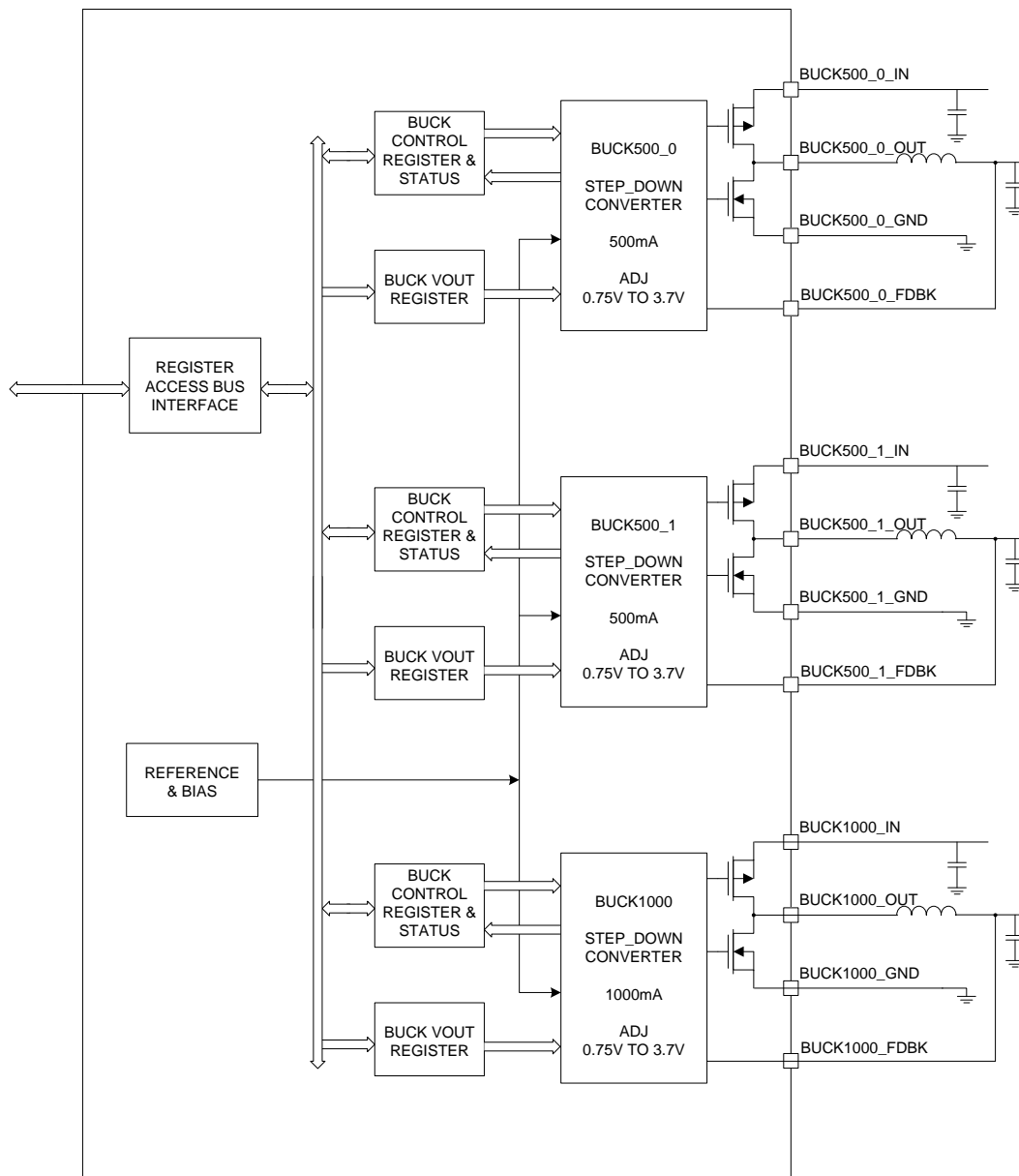


Figure 16 – BUCK500 / BUCK1000 Block Diagram

8.1 BUCK1000 & BUCK500 - PIN DEFINITIONS

DIAGRAM ID	Pin #	BUCK500_0	Pin #	BUCK500_1	Pin #	BUCK1000
FEEDBACK	085	BC0_FDBK	081	BC1_FDBK	077	BC2_FDBK
GND	086	BC0_GND	082	BC1_GND	078	BC2_GND
OUT	087	BC0_OUT	083	BC1_OUT	079	BC2_OUT
VIN	088	BC0_IN	084	BC1_IN	080	BC2_IN

8.2 BUCK1000 & BUCK500 - ELECTRICAL CHARACTERISTICS

Unless otherwise specified, typical values at $T_A=25^{\circ}\text{C}$, $V_{IN} = V_{SYS} = 3.8\text{V}$, $T_A = -40^{\circ}\text{C}$ to $+85^{\circ}\text{C}$ (V_{IN} must be connected to V_{SYS})

SYMBOL	DESCRIPTION	CONDITIONS	MIN	TYP	MAX	UNIT
V_{IN}	Input voltage	$V_{IN} = V_{SYS}$	3.0		4.5	V
V_{OUT}	Programmable Output Voltage Range	Note 2	0.75		3.70	V
ΔV_{OUT}	Output Voltage Step Size			25		mV
$\Phi_{OVERALL}$	Overall Output Voltage Accuracy	$V_{IN} = 3.0\text{V}$ to 4.5V , $I_{OUT} = 0$ to I_{max} , Note 1, Note 3	-3		+3	%
$I_{OUT-PFM}$	Maximum Output Current in PFM Mode, (BUCK500) Maximum Output Current in PFM Mode, (BUCK1000)	$V_{IN} = 3.0\text{V}$ to 4.5V , Note 1, Note 3	100 200			mA
$I_{OUT-PWM}$	Maximum Output Current in PWM Mode, (BUCK500) Maximum Output Current in PWM Mode,	$V_{IN} = 3.0\text{V}$ to 4.5V , Note 1, Note 3	500 1000			mA

SYMBOL	DESCRIPTION	CONDITIONS	MIN	TYP	MAX	UNIT
	(BUCK1000)					
I_{CLP}	Full Scale Cycle by Cycle Current Limit (BUCK500) Full Scale Cycle by Cycle Current Limit (BUCK1000)	0xA081 [3:2], 0xA083 [3:2], 0xA085 [3:2] both bits set to 1	650 1200		1050 1800	mA_{PK}
ΔI_{CLP}	Cycle by Cycle Current Limit Step Size	4 preset levels		25		%
I_{SCP}	Switch Peak Short Circuit Current (BUCK500) Switch Peak Short Circuit Current (BUCK1000)	I_{SCP} is a secondary current protection to prevent over current runaway.		1.3 2.25		A_{PK}
$R_{DS-ON-HS}$	High Side Switch On Resistance (BUCK500) High Side Switch On Resistance (BUCK1000)	$I_{SW} = -50mA$		0.5 0.25		Ω
$R_{DS-ON-LS}$	Low Side Switch On Resistance (BUCK500) Low Side Switch On Resistance (BUCK1000)	$I_{SW} = 50mA$		0.5 0.25		Ω
f_{PWML}	PWM Mode Clock Frequency (Low)	Note 1, Note 4, Note 6		1		MHz
f_{PWMLH}	PWM Mode Clock Frequency (High)	Note 1, Note 4, Note 6		2		MHz
D_{MAX}	PWM Mode Max Duty Cycle		100			%
$t_{ON(MIN)}$	Minimum Output On Time				75	ns
$t_{SFTSLEW}$	Soft Start Output Slew Rate			12.5		$mV/\mu s$
I_{QS} I_{QPFM} I_{QPWM}	Quiescent Operating Current	Not operating – Shutdown Mode Operating (No Load) PFM Mode Operating (No Load) PWM Mode Note 1, Note 5		1 60 3.5		μA μA mA
I_{LEAKSW}	Leakage Current Into SW pin,	Shutdown Mode, $V_{SW}=4.5V$, DCDC_GLOBAL_EN (0x05)=0;		1		μA
$I_{LEAKVIN}$	Leakage Current Into VIN pin	Shutdown Mode, $V_{IN} = 4.5V$, $V_{SW}=0V$ DCDC_GLOBAL_EN (0x05) = 0;		1		μA
I_{FDBK}	Input Current Into FDBK pins	Operation Mode	-1		+1	μA
Z_{FDBK_OFF}	FDBK Pull Down Resistance in Shutdown	Shutdown Mode		7.1		$k\Omega$
UVLO	Under Voltage Lock Out Threshold	V_{SYS} Rising		2.85	2.95	V
UVLO _{HYST}	Under Voltage Lock Out Hysteresis			150		mV

Notes:

- Guaranteed by design and/or characterization.
- Maximum output voltage limited to $(V_{IN} - I_{PEAK} \times R_{DS-ON-P})$.
- Component value is $C_{OUT} = 22 \mu F$, $L = 4.7 \mu H$, $C_{IN} = 10 \mu F$.
- Buck clock will be coming from external crystal through PLL. The resultant frequency will be in 1% range from the nominal.
- BUCK1000, BUCK500 control register addresses / bits.

Description	Address (I2C)	Value
Not Operating	Buck#0 (500mA)	0x05 [0:0] = 0
	Buck#1 (500mA)	0x05 [1:1] = 0
	Buck#2 (1000mA)	0x05 [2:2] = 0
Operating (No Load) PFM Mode	Buck#0 (500mA)	0x80 [0:0] = 1
	Buck#1 (500mA)	0x82 [0:0] = 1
	Buck#2 (1000mA)	0x84 [0:0] = 1
Operating (No Load) PWM Mode	Buck#0 (500mA)	0x80 [0:0] = 0
	Buck#1 (500mA)	0x82 [0:0] = 0
	Buck#2 (1000mA)	0x84 [0:0] = 0

- Buck regulator clock frequency control register addresses.

Description	Address (I2C)	Value
1 MHz	Buck#0 (500mA)	0x80 [1:1] = 0
	Buck#1 (500mA)	0x82 [1:1] = 0
	Buck#2 (1000mA)	0x84 [1:1] = 0
2 MHz	Buck#0 (500mA)	0x80 [1:1] = 1
	Buck#1 (500mA)	0x82 [1:1] = 1
	Buck#2 (1000mA)	0x84 [1:1] = 1

8.3 BUCK CONVERTERS – TYPICAL PERFORMANCE CHARACTERISTICS

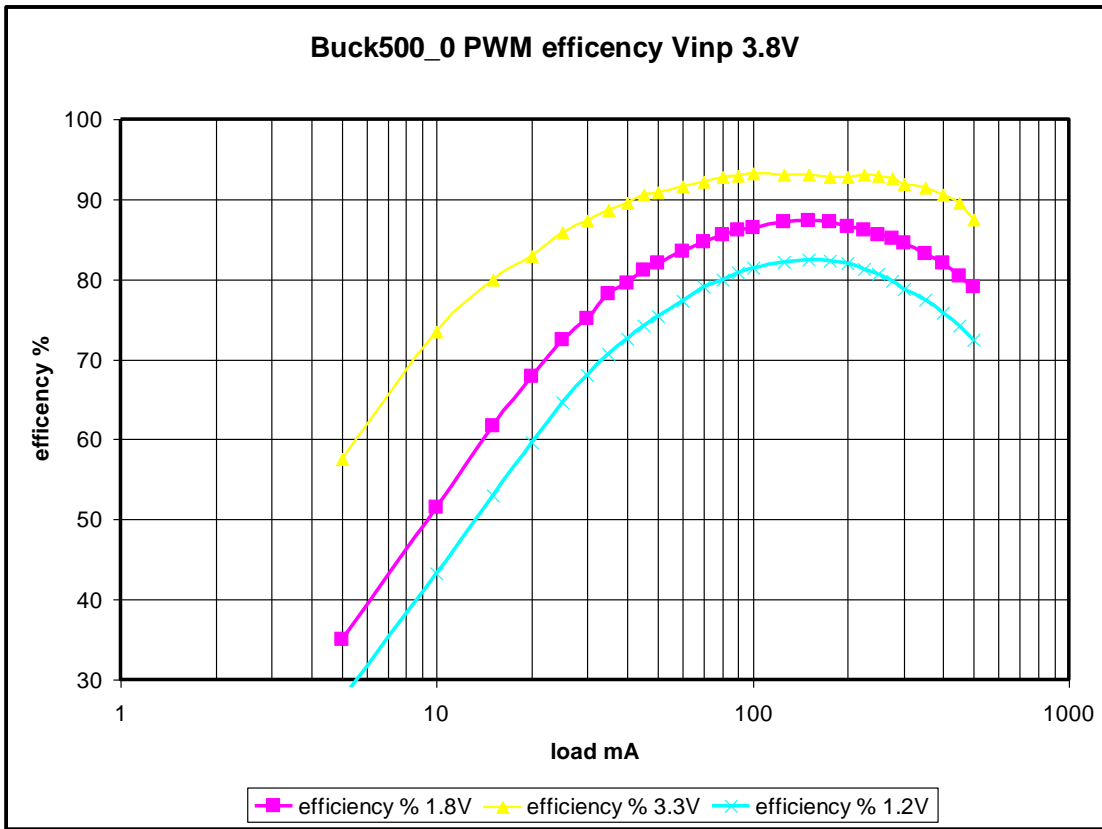


Figure 17 – BUCK500 DC-DC Regulator Efficiency vs Load Current PWM Mode

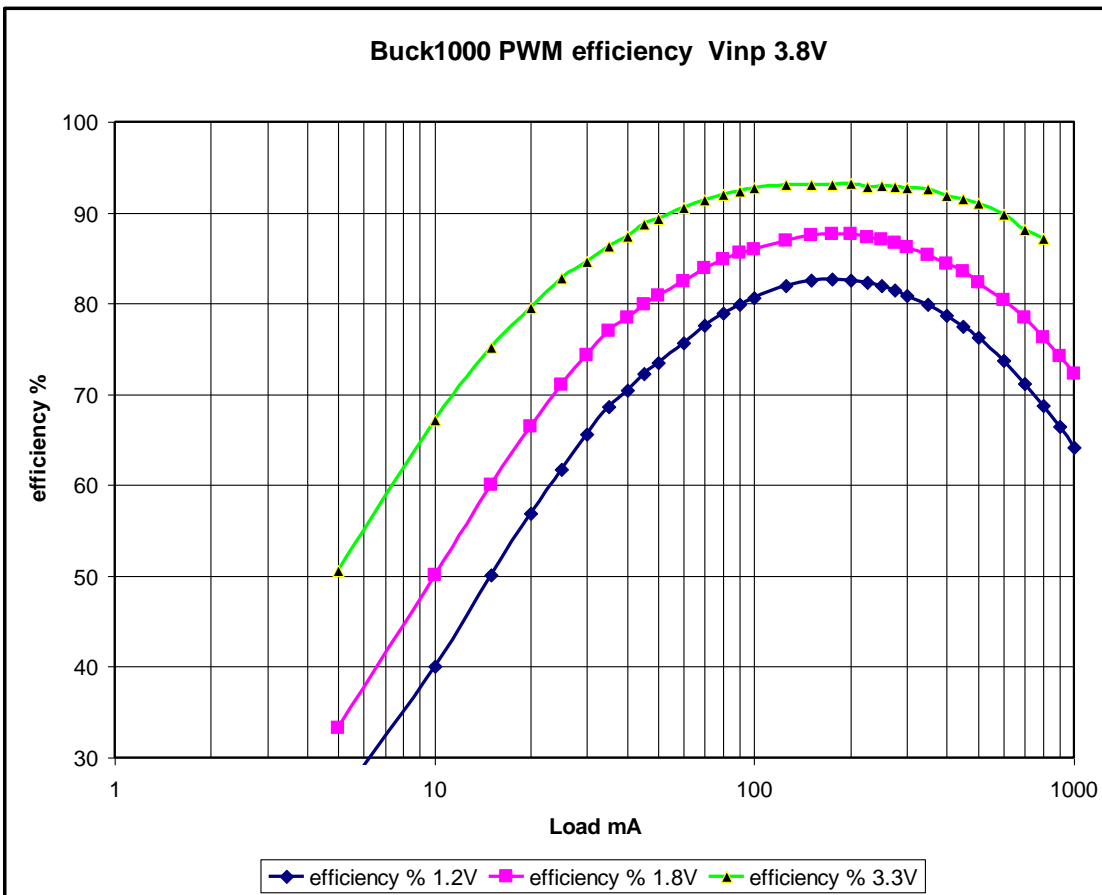


Figure 18 – BUCK1000 DC-DC Regulator Efficiency vs Load Current PWM Mode

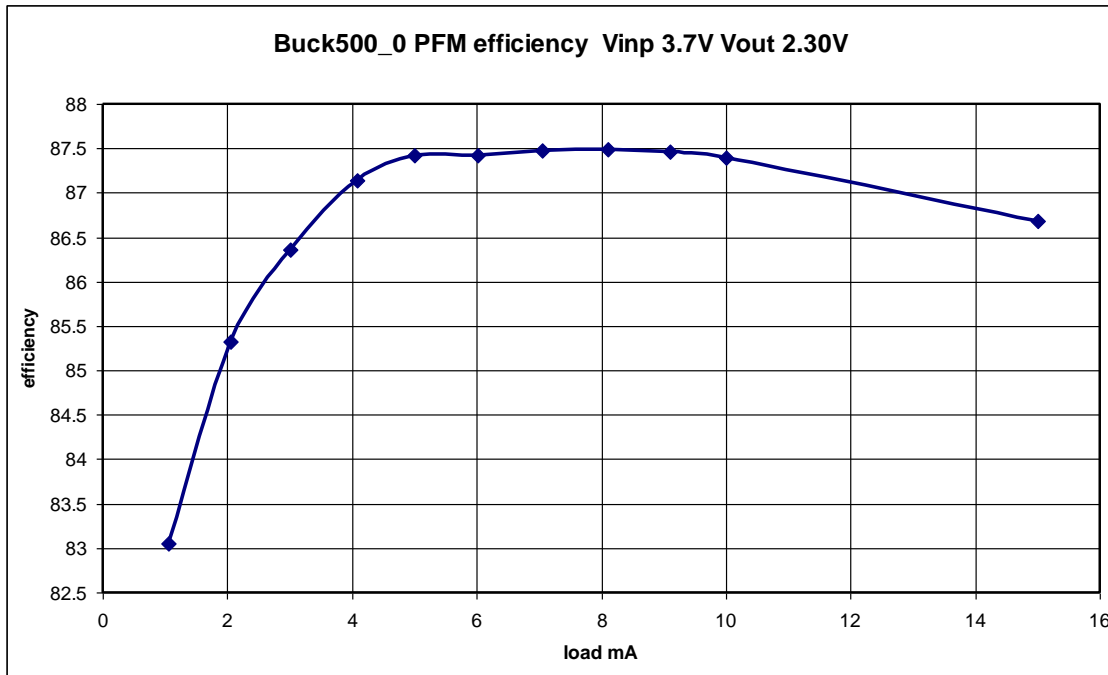


Figure 19 – BUCK500 DC-DC Regulator Efficiency vs Load Current PFM Mode

8.4 BUCK1000 & BUCK500 - REGISTER ADDRESSES

All three Buck Converters can be controlled and monitored by writing 8-bit control words to either the Output Voltage Register or the Control Register. The Base addresses are defined in [Table 3 – Register Address Global Mapping](#) on page 20. The offset addresses are defined as the Base Address in the following table.

Table 18 – BUCK500_0, BUCK500_1 and BUCK1000 Register Addresses

Name	Description	Output Voltage Register		Control Register	
		I ² C Address	Base Address	I ² C Address	Base Address
BUCK500_0	Buck Converter # 0 (500 mA)	Page-0: 128(0x80)	0xA080	Page-0: 129(0x81)	0xA081
BUCK500_1	Buck Converter # 1 (500 mA)	Page-0: 130(0x82)	0xA082	Page-0: 131(0x83)	0xA083
BUCK1000	Buck Converter # 2 (1000 mA)	Page-0: 132(0x84)	0xA084	Page-0: 133(0x85)	0xA085

8.4.1 BUCK500 & BUCK1000 - Output Voltage Registers: (See Table 18 above for addresses)

The Output Voltage Register contains the Enable bit and the Output Voltage setting bits.

Bit	Bit Name	Def. Set.	User Type	Value	Description / Comments
[6:0]	VOUT	[See]	RW	(See Table 19)	Output Voltage = VOUT * 0.025V + 0.75V
7	ENABLE	0h	RW	1 = Enable 0 = Disable	Enable Output

Table 19 – Output Voltage Register Settings, Bits [6:0]

Bit Setting	Output Voltage	Bit Setting	Output Voltage	Bit Setting	Output Voltage	Bit Setting	Output Voltage	Bit Setting	Output Voltage
0000000	0.750	0011000	1.350	0110000	1.950	1001000	2.550	1100000	3.150
0000001	0.775	0011001	1.375	0110001	1.975	1001001	2.575	1100001	3.175
0000010	0.800	0011010	1.400	0110010	2.000	1001010	2.600	1100010	3.200
0000011	0.825	0011011	1.425	0110011	2.025	1001011	2.625	1100011	3.225
0000100	0.850	0011100	1.450	0110100	2.050	1001100	2.650	1100100	3.250
0000101	0.875	0011101	1.475	0110101	2.075	1001101	2.675	1100101	3.275
0000110	0.900	0011110	1.500	0110110	2.100	1001110	2.700	1100110	3.300
0000111	0.925	0011111	1.525	0110111	2.125	1001111	2.725	1100111	3.325
0001000	0.950	0100000	1.550	0111000	2.150	1010000	2.750	1101000	3.350
0001001	0.975	0100001	1.575	0111001	2.175	1010001	2.775	1101001	3.375
0001010	1.000	0100010	1.600	0111010	2.200	1010010	2.800	1101010	3.400
0001011	1.025	0100011	1.625	0111011	2.225	1010011	2.825	1101011	3.425
0001100	1.050	0100100	1.650	0111100	2.250	1010100	2.850	1101100	3.450
0001101	1.075	0100101	1.675	0111101	2.275	1010101	2.875	1101101	3.475
0001110	1.100	0100110	1.700	0111110	2.300	1010110	2.900	1101110	3.500
0001111	1.125	0100111	1.725	0111111	2.325	1010111	2.925	1101111	3.525

Bit Setting	Output Voltage	Bit Setting	Output Voltage	Bit Setting	Output Voltage	Bit Setting	Output Voltage	Bit Setting	Output Voltage
0010000	1.150	0101000	1.750	1000000	2.350	1011000	2.950	1110000	3.550
0010001	1.175	0101001	1.775	1000001	2.375	1011001	2.975	1110001	3.575
0010010	1.200	0101010	1.800	1000010	2.400	1011010	3.000	1110010	3.600
0010011	1.225	0101011	1.825	1000011	2.425	1011011	3.025	1110011	3.625
0010100	1.250	0101100	1.850	1000100	2.450	1011100	3.050	1110100	3.650
0010101	1.275	0101101	1.875	1000101	2.475	1011101	3.075	1110101	3.675
0010110	1.300	0101110	1.900	1000110	2.500	1011110	3.100	1110110	3.700
0010111	1.325	0101111	1.925	1000111	2.525	1011111	3.125		

Note – Contains an initial 0.75V offset. Performance and accuracy are not guaranteed with bit combinations above 1110110.

8.4.2 BUCK1000 & BUCK500 - Control Register: (See Table 18 for addresses)

The Control Register contains the Current Limit setting bits, Control bits and Status bits.

Bit	Bit Name	Def. Set.	User Type	Value	Description / Comments
0	PWM_PFM	0	RW	1 = PFM mode 0 = PWM mode	PWM/PFM Mode Select
1	CLK_SEL	1	RW	1 = 2 MHz 0 = 1 MHz	Clock Frequency
[3:2]	I_LIM	3h	RW	(See Table 20)	Cycle by Cycle Current Limit (%)
4	SC_FAULT	N/A	R	1 = Fault 0 = OK	Short Circuit Fault
5	PGOOD	N/A	R	1 = Power Good 0 = Power Not Good	Power Good
6	RESERVED	1b	RW		RESERVED
7	DAC_MSB_EN	1b	RW	1 = Enable writes to BUCK 3 MSB bits in DAC 0 = Disable writes to BUCK 3 MSB bits in DAC	BUCK VOUT 3 MSB bits write protection

Table 20 – Control Register Cycle by Cycle Current Limit (I_LIM) Settings for Bits [3:2] [Note]

Bit 3	Bit 2	Description
0	0	Current Limit = 25 %
0	1	Current Limit = 50 %
1	0	Current Limit = 75 %
1	1	Current Limit = 100 %

Note – Current Limit is at maximum when bits [3:2] are both set to 1.

8.5 BUCK1000 & BUCK500 - ENABLING & DISABLING

There are two methods of disabling each Buck Converter: the Global Enable bit and the local ENABLE bit (Output Voltage Register, Bit 7). Table 21 shows the interoperation of the two methods.

Table 21 – Interoperability of enabling/disabling methods vs. loading default values.

Internal POR	Global Enable	ENABLE	ON/OFF status	REGISTER VALUE STATUS
0	X	0	OFF	PREVIOUS SETTINGS
0	0	X	OFF	PREVIOUS SETTINGS
0	1	1	ON	PREVIOUS SETTINGS
1	X	X	OFF	LOAD DEFAULT VALUES

8.5.1 BUCK1000 & BUCK500 - Initialization and Power-Up

During an IC re-initialization or “cold boot” an internal POR disables the Buck Converter and loads the default values into the registers. The default values are only loaded into the registers when there is a POR event.

The default settings for the Output Voltage Register are:

Function	Default Setting
Local Enable Bit	Disabled
Output Voltage	3.3V (BUCK500_0) 1.8V (BUCK500_1) 1.2V (BUCK1000)

The default settings for the Control Register are:

Function	Default Setting
Current Limit	100%
Clock Frequency	2 MHz
Operating Mode	PWM

After the external POR releases, the individual Global Enable bits can be set to HIGH. Since the default value of the local ENABLE bit is LOW, the supply will not start at this time.

To enable a converter, the local ENABLE bit is set to HIGH by writing the voltage value to the Output Voltage Register. The Output Voltage value must be included each time the converter is enabled or disabled. There is a default value for each converter that can be read and written back along with the ENABLE bit or a different value can be written. When the ENABLE bit becomes set the Buck Converter will then enter its soft-start sequence, and transition to the programmed voltage.

NOTE: Changes to the Output Voltage Register settings can be written directly without disabling the converter.

8.5.2 BUCK1000 & BUCK500 - Normal Disabling / Enabling

Setting either the Global Enable bit to LOW or the local ENABLE bit to LOW will turn off the Buck Converter.

The Global Enable bit's sole purpose is to shut down the converter into its lowest power shutdown mode. It is not intended to be used to toggle the Buck Converter off and on. Proper operation is only guaranteed by toggling the ENABLE bit once the Global Enable bit is set HIGH to take it out of low power shutdown mode.

8.5.3 BUCK1000 & BUCK500 - Soft Start Sequence

There is a 50 μ s delay after the ENABLE bit is set and then an internal counter ramps up, requiring 80 μ s/volt from zero to the programmed Output Voltage setting. Once the Soft Start sequence is initiated, any changes to the values in the Output Voltage Register are ignored until the Soft Start sequence is complete.

8.5.4 BUCK1000 & BUCK500 - Current Limit Protection

The Buck Converter includes pulse by pulse peak current limiting circuitry for over-current conditions. The limit can be set at various percentages of maximum setting (See Table 20). During an over-current condition the output voltage is allowed to drop below the specified voltage and will be indicated by the status of the PGOOD bit. When the over-current state is ended the output returns to normal operation.

8.5.5 BUCK1000 & BUCK500 - Short Circuit Protection

The Buck Converter includes short-circuit protection circuitry. When a short circuit occurs, the output will be latched into a disabled mode and a fault will be indicated in the SC_FAULT bit. The local ENABLE bit must be first toggled LOW and then back to HIGH again to clear the short circuit latch. Any subsequent Short Circuit will override the local ENABLE bit setting and re-latch the output to a disabled mode.

8.6 BUCK1000 & BUCK500 - APPLICATIONS INFORMATION

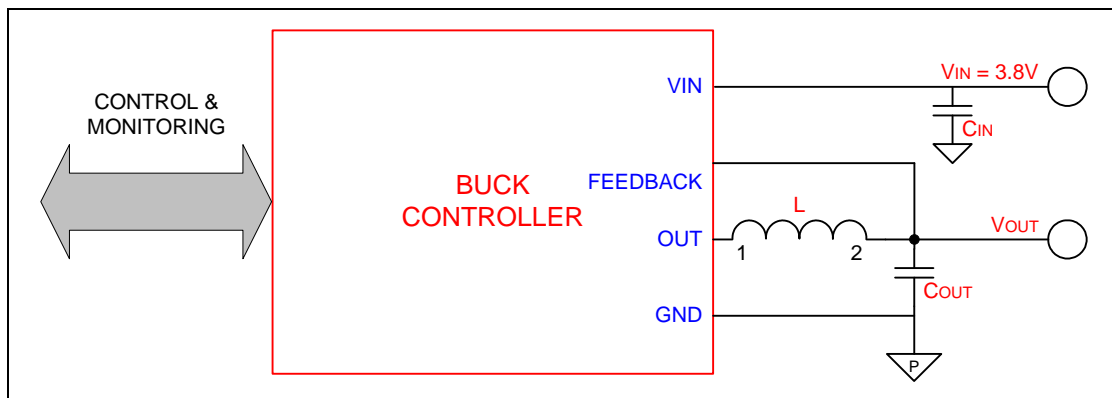


Figure 20 – BUCK500 or BUCK 1000 Applications Diagram

8.6.1 BUCK500 - Recommended External Components

ID	Description
C _{IN}	10 μ F, 10V, Ceramic, X5R
C _{OUT}	22 μ F, 10V, Ceramic, X5R
L	4.7 μ H, 1.5A (for 1 MHz or 2 MHz operation)

8.6.2 BUCK1000 - Recommended External Components

ID	Description
C _{IN}	10 μ F, 10V, Ceramic, X5R
C _{OUT}	22 μ F, 10V, Ceramic, X5R
L	4.7 μ H, 3.0A (for 1 MHz operation) 4.7 μ H, 3.0A (for 2 MHz operation)

9.0 HIGH EFFICIENCY 10 LED BOOST CONVERTER AND SINKS

FEATURES

- Fully controllable by a host or I2C interface
- Peak efficiency > 88% with two strings of 10 LEDs
- Low Shutdown Current (<1 μ A)
- 0.5MHz or 1MHz fixed frequency low noise operation
- Supports up to two (2) strings of 3 to 10 series-connected white LEDs
 - ◆ Programmable Sink current: 0-25 mA per string or 0-50mA for one string only
 - ◆ Half range setting also available
- Soft Start and Sink Current Slew Rate Control
- Programmable Over-Current Limit through external sense resistor
- Programmable Output Voltage Protection through external resistor divider
- UVLO shutdown protection

DESCRIPTION

The LED BOOST is a current mode PWM boost converter that provides power to one or two strings of white or colored LEDs as used in LCD displays and keyboard backlighting. The converter is fully compensated and requires no additional external components for stable operation at a user-selectable switching frequency of either 1MHz or 500kHz. The converter also includes two regulated current sink drivers with internal FETs, providing two outputs each containing the same number of LEDs up to 25 mA each or a single (combined) output up to 50 mA total. Safe operation is ensured by a user programmable over-current limiting function and by output over-voltage protection.

REQUIREMENTS

1. Both LED strings must contain the same number of LEDs with similar forward voltage drops for each LED.
2. The block requires one external NFET and an external Schottky diode (rated ≥ 45 V for 10 White LEDs in series). The output power is limited by the voltage and current ratings of the external FET and Schottky diode.
3. If only one LED string is used, SINK1 and SINK2 must be shorted together. The maximum current and current per programming step for the combined strings can remain at full (50 mA total, 0.78 mA/step) or can be reduced (25 mA total, 0.39 mA/step).

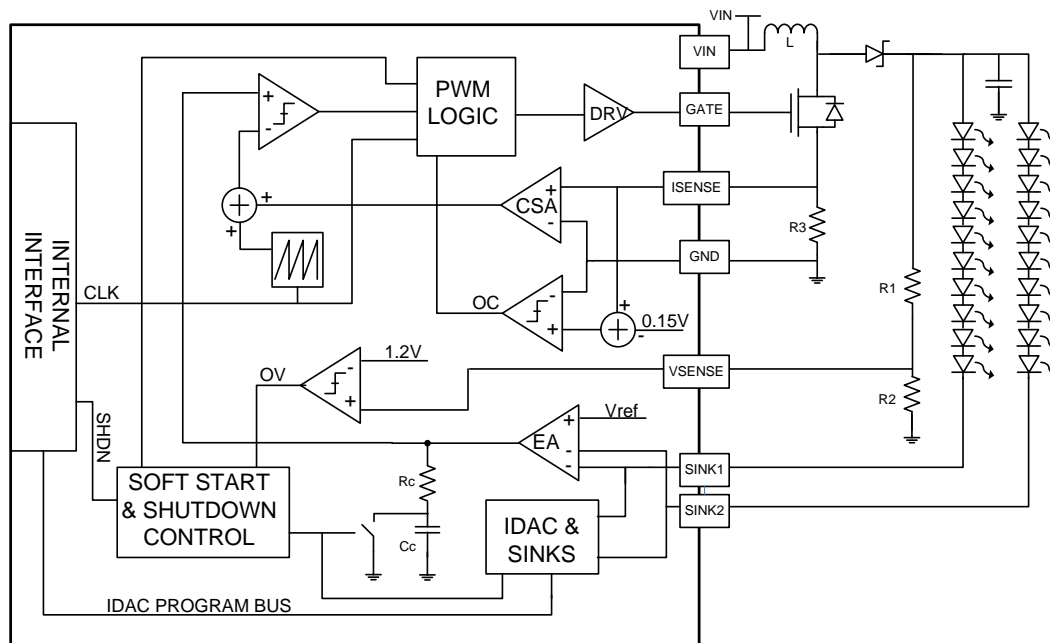


Figure 21 – White LED Boost & Sink Driver Block Diagram

9.1 LED_BOOST - ELECTRICAL CHARACTERISTICS

Unless otherwise specified, typical values at $T_A = 25^\circ\text{C}$, $V_{IN} = V_{SYS} = 3.8\text{V}$, $V_{PGND} = V_{DGND} = 0\text{V}$, $V_{LED_BOOST_SINK} = 0.9\text{V}$, $T_A = -40^\circ\text{C}$ to $+85^\circ\text{C}$, $C_{OUT} = 1\mu\text{F}$, $L = 22\mu\text{H}$

SYMBOL	DESCRIPTION	CONDITIONS	MIN	TYP	MAX	UNIT
V_{IN}	LED Boost Input Voltage	If tied to other than $V_{SYS} = 3.0\text{V}$ to 4.5V	3.0		5.5	V
V_{LED_REG}	LED Boost Regulation Voltage			0.90		V
V_{OVP}	OVP Trip Voltage	Trip level of LED_BOOST_VSENSE input	1.15		1.25	V
V_{ISENSE}	Current Sense Maximum Voltage	$V_{SYS} = 3.0\text{V}$ to 4.5V	150	180	210	mV
I_{BIAS}	Input Bias Current For OVP and Isense		-0.1		0.1	μA
T_{GRISE}	LED_BOOST_GATE Pin Rise Time	$C_{GATE} = 1\text{nF}$		12		ns
T_{GFALL}	LED_BOOST_GATE Pin Fall Time	$C_{GATE} = 1\text{nF}$		7		ns
I_{SINK_FULL}	LED Current Range – Full Scale	LED_BOOST_ISET 0x86 [4:0], LED_BOOST_SCALE 0x86 [6:6] = 0 - Half Scale, 1 - Full Scale	0.78 0.39		25 12.5	mA
ΔI_{SINK_FULL}	LED Current Step Size (LSB) – Full Scale			0.78		mA
ΔI_{SINK_HALF}	LED Current Step Size (LSB) – Half Scale			0.39		mA
LED_{SLEW}	LED Current Step Slew Rate	I_{LED} Change From 5mA to 20mA		1/32		LSB/us
Init _{ACC}	Initial Current Accuracy	$I_{SINK} = 20\text{ mA}$, $V_{SINK} = 0.9\text{V}$	-5		+5	%
f_{CLKL}	Main Clock (Low)	LED_BOOST_CTRL 0x87 [1:1] = 0 = 0.5 MHz, Note 1		0.5		MHz
f_{CLKH}	Main Clock (High)	LED_BOOST_CTRL 0x87 [1:1] = 1 = 1.0 MHz, Note 1		1.0		MHz
D_{CLOCK}	Max Gate Output Duty Cycle		94			%
$t_{ON(MIN)}$	Minimum Output On Time				100	ns
I_{QPS}	$V_{LED_BOOST_VIN}$ Shutdown Current	$V_{LED_BOOST_VIN} = 4.5\text{V}$			1	μA
I_{DD}	Operating Current	Note 2		1.6		mA
UVLO	Under Voltage Lock Out Threshold	V_{SYS} Rising. (Shared DC/DC, LDOs except Pre-DC/DC)		2.85	2.95	V
UVLO _{HYST}	Under Voltage Lock Out Hysteresis			150		mV

Notes:

- Guaranteed by design and/or characterization
- Value does not include current through external components

9.2 LED_BOOST – TYPICAL PERFORMANCE CHARACTERISTICS

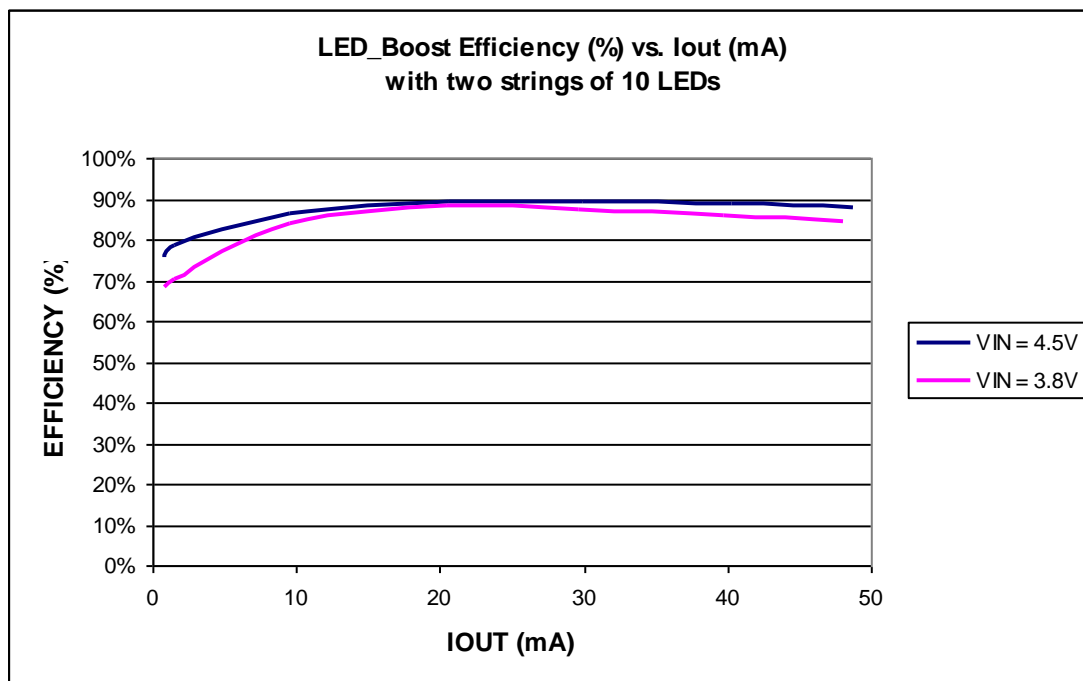


Figure 22 – LED Boost Efficiency vs Load Current (two strings of 10 LEDs)

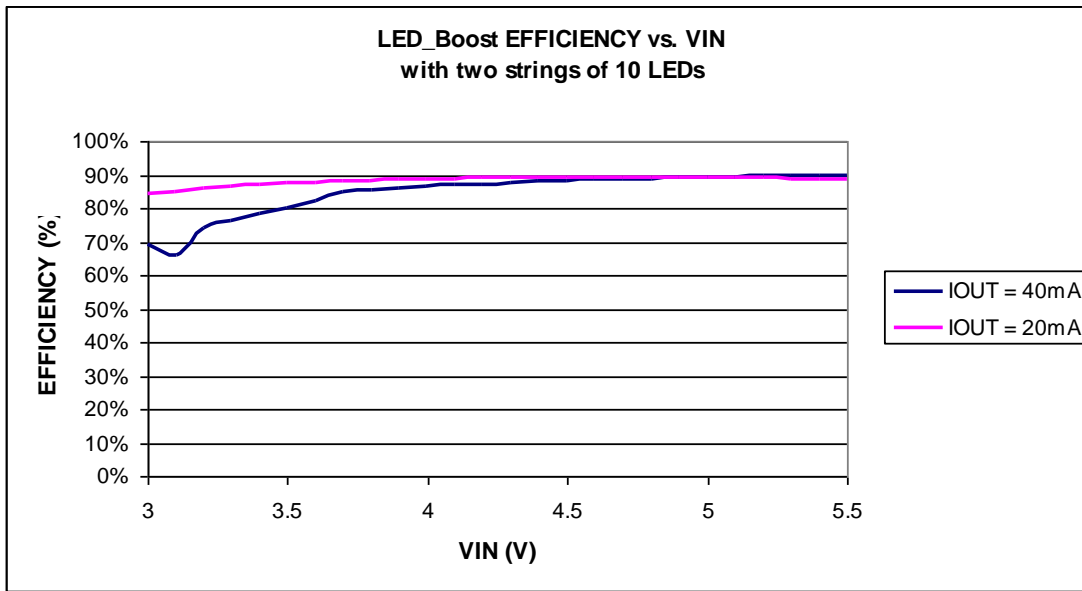


Figure 23 – LED Boost Efficiency vs VIN (two strings of 10 LEDs)

9.3 LED_BOOST - REGISTER SETTINGS

Output Current Register and Control Register control and monitor the LED_BOOST Driver. The controller can be programmed by writing 8-bit control words to these registers.

The Base addresses are defined in [Table 3 – Register Address Global Mapping](#) on page 20.

9.3.1 LED_BOOST - Output Current Register

The Output Current Register contains the Enable Bit and the Sink Current settings.

I²C Address = Page-0: 134(0x86), μ C Address = 0xA086

Bit	Bit Name	Def. Set.	User Type	Value	Description / Comments
[4:0]	LED_BOOST_IOUT	00000b	RW	Full Scale = 0.78 mA Half Scale = 0.39 mA	Sink Current (See Table 22) If LED_BOOST_SCALE (Bit 6) = 1, use Full Scale values: LED Current = IOUT * 0.78 mA + 0.78 mA If LED_BOOST_SCALE (Bit 6) = 0, use Half Scale values: LED Current = IOUT * 0.39 mA + 0.39 mA
5	RESERVED	0b	RW		RESERVED
6	LED_BOOST_SCALE	1b	RW	1 = Full Current Scale 0 = Half Current Scale	Current Scale
7	LED_BOOST_ENABLE	0b	RW	1 = Enable 0 = Disable	Enable Output Voltage

Table 22 – Register 0xA086 (0x86) IOUT Current Settings for Bits [4:0], Half Scale and Full Scale

Bit Setting	Current (mA)		Bit Setting	Current (mA)		Bit Setting	Current (mA)		Bit Setting	Current (mA)		Bit Setting	Current (mA)	
	Half	Full		Half	Full		Half	Full		Half	Full		Half	Full
0000	0.39	0.78	00111	3.13	6.25	01110	5.86	11.72	10101	8.59	17.19	11100	11.33	22.66
00001	0.78	1.56	01000	3.52	7.03	01111	6.25	12.50	10110	8.98	17.97	11101	11.72	23.44
00010	1.17	2.34	01001	3.91	7.81	10000	6.64	13.28	10111	9.38	18.75	11110	12.11	24.22
00011	1.56	3.13	01010	4.30	8.59	10001	7.03	14.06	11000	9.77	19.53	11111	12.50	25.00
00100	1.95	3.91	01011	4.69	9.38	10010	7.42	14.84	11001	10.16	20.31			
00101	2.34	4.69	01100	5.08	10.16	10011	7.81	15.63	11010	10.55	21.09			
00110	2.73	5.47	01101	5.47	10.94	10100	8.20	16.41	11011	10.94	21.88			

Note – Current Output contains an initial offset of 0.39 mA for Half Scale or 0.78 mA for Full Scale.

9.3.2 LED_BOOST - Control Register

This Register contains clock select settings

I²C Address = Page-0: 135(0x87), μ C Address = 0xA087

Bit	Bit Name	Def. Set.	User Type	Value	Description / Comments
0	RESERVED	0b	RW		RESERVED
1	LED_BOOST_CLK_SEL	1b	RW	1 = 1.0 MHz 0 = 0.5 MHz	Clock Frequency
[3:2]	RESERVED	00b	RW		RESERVED
[5:4]	RESERVED	N/A	R		RESERVED
[7:6]	RESERVED	00b	RW		RESERVED

9.4 LED_BOOST - ENABLING & DISABLING

There are two methods of disabling the LED_BOOST Converter: the Global Enable bit and the local ENABLE bit (Output Current Register, Bit 7). Table 23 shows the interoperation of the two methods.

Table 23 – Interoperability of enabling/disabling methods vs. loading default values.

Internal POR	Global Enable	ENABLE	ON/OFF status	REGISTER VALUE STATUS
0	X	0	OFF	PREVIOUS SETTINGS
0	0	X	OFF	PREVIOUS SETTINGS
0	1	1	ON	PREVIOUS SETTINGS
1	X	X	OFF	LOAD DEFAULT VALUES

9.4.1 LED_BOOST - Initialization and Power-Up

During an IC re-initialization or “cold boot” an internal POR disables the LED_BOOST Converter and loads the default values into the registers. The default values are only loaded into the registers when there is a POR event.

The default settings for the Output Current Register are:

Function	Default Setting
Local Enable Bit	Disabled
Scale	High
Output Current	0.78 mA

The default settings for the Control Register are:

Function	Default Setting
Clock Frequency	1 MHz

After the internal POR releases, the Global Enable bit can be set to HIGH. Since the default value of the local ENABLE bit is LOW, the converter will not start at this time.

To enable the converter, the local ENABLE bit is set to HIGH by writing a “1” to the Output Current Register. The Output Current value must be included each time the converter is enabled or disabled. The default value for the converter can be read and written back along with the ENABLE bit or a different value can be written. When the ENABLE bit is set, the LED_BOOST Converter will begin its soft-start sequence, ending at the programmed current.

NOTE: Changes to the Output Current Register settings can be written directly without disabling the converter.

9.4.2 LED_BOOST - Normal Disabling / Enabling

Setting either the Global Enable bit to LOW or the local ENABLE bit to LOW will turn off the LED_BOOST Converter.

The Global Enable bit’s sole purpose is to shut down the converter into its lowest power shutdown mode. It is not intended to be used to toggle the LED_BOOST Converter off and on. Proper operation is only guaranteed by toggling the ENABLE bit HIGH once the Global Enable bit is set HIGH to take it out of low power shutdown mode.

9.4.3 LED_BOOST - SOFT START

The LED BOOST uses the combination of a reduced initial current limit setting with the slow charge of its large internal compensation capacitor to affect a controlled ramp of the output supply. This limits the inrush current and consequently helps eliminate drooping in the input supply during the ramp up

9.4.4 LED_BOOST - SLEW CONTROL

Slew Control forces the two sink currents to be ramped up or down in time steps of 32 μs per LSB from the previous current setting to the newly programmed current setting. It is important to wait until Slew Control is complete before again changing the current setting because any changes to the programmed sink current level are ignored while Slew Control is ramping.

9.5 LED_BOOST – Over-Voltage Protection

Output over-voltage protection is provided through the LED_BOOST_VSENSE pin. If the input level of this pin rises above 1.2V (nominal) then the error amplifier is reset and the boost converter will re-enter soft start). The converter will hiccup indefinitely if the the over-voltage condition remains. Persistent hiccup will indicate a real fault condition such as an open LED string or simply that the the over-voltage trip is incorrectly set.

The over-voltage trip is set by tying a resistor divider between the output capacitor node and gnd and to the LED_BOOST_VSENSE pin. The resistor divider is shown in figure 14 below. The values of R1 and R2 calculated using the following equations:

$$R_2 = \frac{1.2V \times V_{IN}}{1.1 \times 1\mu A} \times \frac{1}{0.9V + n \times V_{LED}} \quad R_1 = \frac{V_{IN}}{1\mu A} - R_2 \quad \text{Equation 1}$$

9.6 LED_BOOST – Over-Current Limiter

The LED boost converter requires a sense resistor to be placed between the source of the Nch MOSFET and GND. This sense resistor is used for both current mode control and over-current limiting.

9.7 LED_BOOST - APPLICATIONS INFORMATION

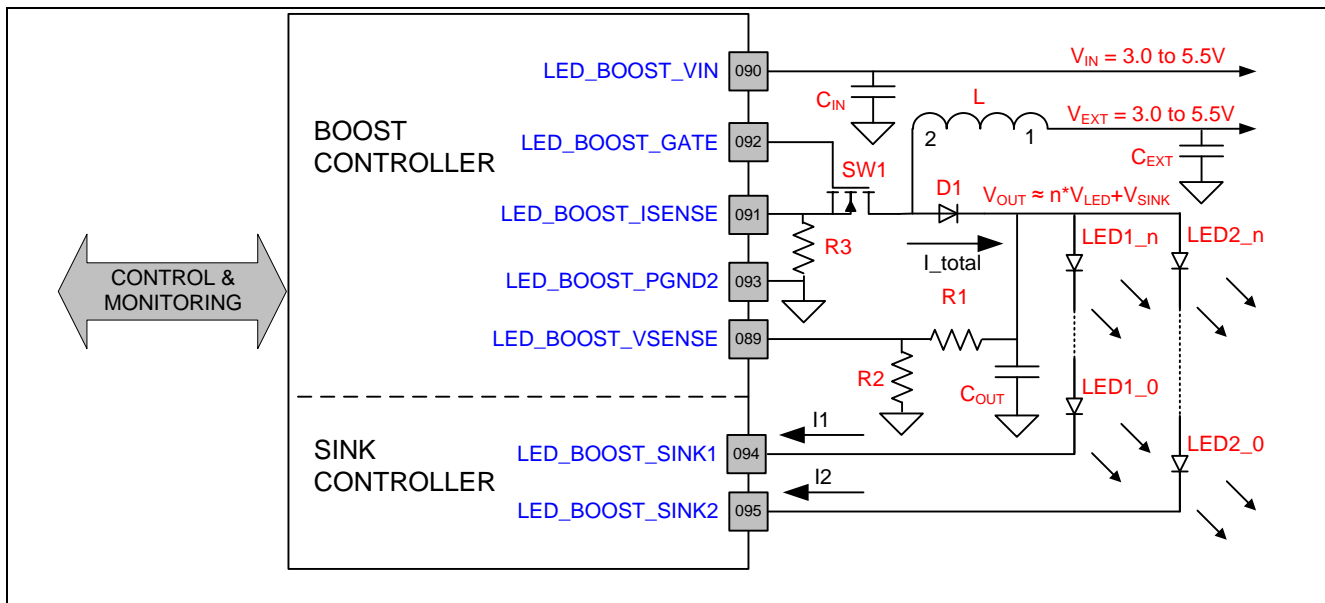


Figure 24 – LED_BOOST Application Schematic

- V_{IN} External Voltage is used to power the gate driver for the external NFET, SW1.
- V_{EXT} = 3.0 to 5.5V, connects externally to the inductor and system power
- LED_BOOST can be set via R1 and R2 to provide a protection voltage between V_{EXT} and 40V for protecting capacitor C_{OUT} in case the LED strings open. This voltage should be set below the voltage rating of C_{OUT}.
- The LED_BOOST converter monitors the current sense elements in the sink blocks and reduces its output voltage as necessary to keep the headroom voltage as low as possible to minimize losses.

9.7.1 LED_BOOST - Application Specific Operating Parameters

These parameters are dependent upon external components and as such are neither specified nor tested but are included for application reference. Unless otherwise specified, performance is measured @ V_{IN} = 3.8V, V_{EXT} = 5.0V and T_A = 25°C

Symbol	Parameter	Min	Typ	Max	Unit	Comment
V _{PROTECT}	Protection Voltage Range	V _{EXT}		40	V	Select R1 and R2 to set. [See Equation 1]
R _{DS-ON}	External NFET Drain-Source Resistance			0.400	Ω	V _{IN} = 5.0V, T _J = 25°C

Symbol	Parameter	Min	Typ	Max	Unit	Comment
I_{RIP}	Output Current Ripple		1		%	45 mA load, $C_{OUT} = 1 \mu F$
η	Efficiency	80			%	$V_{IN} = 5.0V$, $I_{OUT} = 40$ mA total

Note – To within 1% of final value, based on Application Schematic (See Figure 24) with 20% to 80% load change.

LED_BOOST - Recommended External Components

ID	Description	Part No	Manufacturer
C_{IN}	Capacitor, Ceramic, 1.0 μF 10V, X5R	C0402X5R100-105KNE	Venkel
C_{EXT}	Capacitor, Ceramic, 10 μF , 10V, X5R	C0603X5R100-106KNP	Venkel
C_{OUT}	Capacitor, Ceramic, 1.0 μF , 50V, X7R	ECJ-3YX1H105K	Panasonic
L	Inductor, 22 μH , 1.05A	B82462G4223M	EPCOS
R1	Resistor, See Equation 1 to calculate value		Panasonic
R2	Resistor, See Equation 1 to calculate value		Panasonic
R3	Resistor, 0.15 ohm, 1/8W	ERJ-2BSFR15X	Panasonic
SW1	N_FET, 45V, 2.0A	RTR020N05	ROHM
D1	Diode, Schottky, 50V, 1 A	MSS1P5-E3/89A	Vishay/General Semiconductor

10.0 BOOST5 – 1.5A, SYNCHRONOUS PWM BOOST CONVERTER

FEATURES

- Current Mode Control, internally compensated
- Operation in PWM Mode
- Peak Efficiency up to 91%
- Initialization and Power Sequencing can be controlled by host & registers
- Output Voltage adjustable in 50mV steps from 4.05V to 5.0 V
- Current Output: 700mA continuous at 5V ($V_{IN} \geq 3.6V$)
- Inductor Peak Current Limit / Soft Start
 - ◆ Internal current sensing determines peak inductor current
 - ◆ Soft Start circuitry

DESCRIPTION

The **BOOST5** is a synchronous, fixed frequency boost converter, delivering high power to the Class D Audio Power Amplifier and LDOs requiring input voltages greater than the system voltage. Capable of supplying 5.0V at 700mA, the device contains an internal NMOS switch and PMOS synchronous rectifier.

A switching frequency of 1.0MHz minimizes solution footprint by allowing the use of tiny, low profile inductors. The current mode PWM design is internally compensated, reducing external parts count.

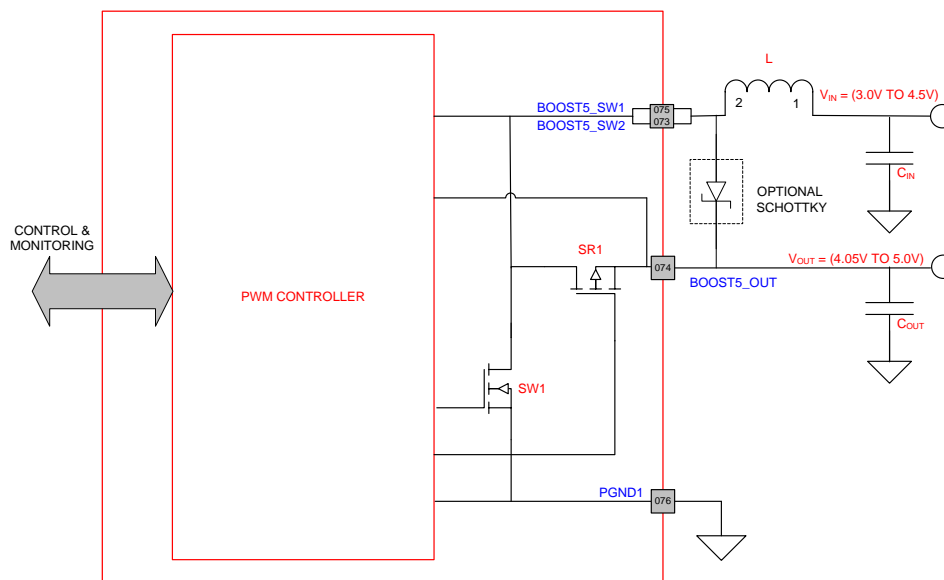


Figure 25 – BOOST5 Block Diagram

10.1 BOOST5 - ELECTRICAL CHARACTERISTICS

Unless otherwise specified, typical values at $T_A = 25^\circ\text{C}$, $V_{\text{EXT}} = V_{\text{SYS}} = 3.8\text{V}$, $V_{\text{BOOST5_OUT}} = 5\text{V}$, $T_A = -40^\circ\text{C}$ to $+85^\circ\text{C}$,

SYMBOL	DESCRIPTION	CONDITIONS	MIN	TYP	MAX	UNIT
V_{IN}	Input Voltage (External)		3.0		4.5	V
V_{OUT}	Programmable Output Voltage Range	V_{IN} cannot be higher than V_{OUT} Note 2	4.05		5.0	V
ΔV_{OUT}	Output Voltage Step Size			0.050		V
$V_{\text{O-PWM}}$	Overall Output Voltage Accuracy	$V_{\text{SYS}} = 3.0\text{V}$ to 4.5V Note 1 $C_{\text{OUT}} = 20\mu\text{F}$, and $L = 2.2\mu\text{H}$	-3		+3	%
Φ_{SETPOINT}	Output Voltage Set Point Accuracy	Measure at the BOOST5_OUT pin	-2		+2	%
$I_{\text{L-OUT-PEAK}}$	Peak Inductor Current Limit	$0 \times \text{A089} [3:2] = 11\text{b}$	1.5	1.7	2.0	A
$R_{\text{DS-ON-HS}}$	Synchronous Rectifier On Resistance	$I_{\text{SW}} = -50\text{mA}$		0.18		Ω
$R_{\text{DS-ON-LS}}$	Low Side Switch On Resistance	$I_{\text{SW}} = 50\text{mA}$		0.18		Ω
$I_{\text{SR-TH}}$	Synchronous Rectifier Operation Threshold Current			+40		mA
f_{PWML}	Clock Frequency (Low PWM Mode)	Crystal Note.		0.5		MHz
f_{PWHM}	Clock Frequency (High PWM Mode)	Crystal Note.		1.0		MHz
I_{QN}	Quiescent Operating Current	Operating, Non-Switching, No Load BOOST5_OUTPUT $0 \times \text{88} [7:7] = 1$ (Enable)		0.75		mA
D_{MAX}	Maximum PWM Duty Cycle		90			%
$t_{\text{ON(MIN)}}$	Minimum Low Side Switch On Time				100	ns
I_{LEAKSW}	Leakage Current Into SW pin	Shutdown Mode, $V_{\text{SW}} = 4.5\text{V}$		1		μA
I_{LEAKVOUT}	Leakage Current Into V_{OUT} pin	Shutdown Mode, $V_{\text{OUT}} = 5.0\text{V}$, $V_{\text{SW}} = 0\text{V}$		1		μA
UVLO	Under Voltage Lock Out Threshold	V_{SYS} Rising		2.85	2.95	V
UVLO _{HYST}	Under Voltage Lock Out Hysteresis			150		mV

Notes:

1. Guaranteed by design and/or characterization
2. External Schottky diode is required between BOOST5_OUT and BOOST5_SW if V_{OUT} is 4.5V or greater.
3. Clock will be coming from external crystal through PLL. The resultant frequency will be in 1% range from the nominal.

10.2 BOOST5 - REGISTER SETTINGS

Register 0xA088 and Register 0xA089 control and monitor the BOOST5 Power Supply. The regulator can be programmed by writing 8-bit control words to these registers. The Base addresses are defined in [Table 3 – Register Address Global Mapping](#) on page 20.

10.2.1 BOOST5 - Output Voltage Register

The Output Voltage Register contains the Enable Bit and the Output Voltage settings

I^2C Address = Page-0: 136 (0x88), μC Address = 0xA088

Bit	Bit Name	Def. Set.	User Type	Value	Description / Comments
[4:0]	BOOST5_VOUT	10011b	RW	(See Table 24)	Output Voltage = BOOST5_VOUT * 0.05V + 4.05V
[6:5]	RESERVED	00b	RW		RESERVED
7	ENABLE	0b	RW	1 = Enable 0 = Disable	Enable BOOST5

Note – Default voltage setting $V_{\text{OUT}} = 5.00\text{V}$.

Table 24 – Register 0xA088 Output Voltage Bit Setting [4:0]

Bit Setting	Output Voltage	Bit Setting	Output Voltage	Bit Setting	Output Voltage
00000	4.05	00111	4.40	01110	4.75
00001	4.10	01000	4.45	01111	4.80
00010	4.15	01001	4.50	10000	4.85
00011	4.20	01010	4.55	10001	4.90
00100	4.25	01011	4.60	10010	4.95
00101	4.30	01100	4.65	10011	5.00
00110	4.35	01101	4.70		

Note – Contains an initial 4.05V offset.

10.2.2 BOOST5 - Control Register

The Control Register contains Power Good, Peak Current Limit and Clock Select settings

I²C Address = Page-0: 137(0x89), μ C Address = 0xA089

Bit	Bit Name	Def. Set.	User Type	Value	Description / Comments
0	RESERVED	0b	RW		
1	CLOCK_SEL	1b	RW	1 = 1.0 MHz 0 = 0.5 MHz	Clock Frequency
[3:2]	I_LIM	11b	RW	[See Table 25]	Peak Current Limit
4	RESERVED	0b	RW		
5	PGOOD	0b	R	1 = Power Good 0 = Power Bad	Power Good
[7:6]	RESERVED	00b	RW		RESERVED

Table 25 – Register 0xA089 (0x89) Peak Current Limit (I_LIM) Settings Bits [3:2]

Bit 3	Bit 2	Description
0	0	Peak Current Limit = 25 %
0	1	Peak Current Limit = 50 %
1	0	Peak Current Limit = 75 %
1	1	Peak Current Limit = 100 % A

Note – Peak Current Limit is maximum when bits [3:2] are both set to 1.

10.3 BOOST5 - ENABLING & DISABLING

There are two methods of disabling the BOOST5 Converter: the Global Enable bit and the local ENABLE bit. Table 26 shows the interoperation of the two methods.

Table 26 – Interoperability of enabling/disabling methods vs. loading default values.

Internal POR	Global Enable	ENABLE	ON/OFF status	REGISTER VALUE STATUS
0	X	0	OFF	PREVIOUS SETTINGS
0	0	X	OFF	PREVIOUS SETTINGS
0	1	1	ON	PREVIOUS SETTINGS
1	X	X	OFF	LOAD DEFAULT VALUES

10.3.1 BOOST5 - INITIALIZATION AND DEVICE POWER-UP

During an IC re-initialization or “cold boot” an internal POR disables the BOOST5 Converter and loads the default values into the registers. The default values are only loaded into the registers when there is a POR event.

The default settings for the Output Voltage Register are:

Function	Default Setting
Local Enable Bit	Disabled
Output Voltage	5.0V

The default settings for the Control Register are:

Function	Default Setting
Current Limit	100%
Clock Frequency	1 MHz

After the POR releases, the Global Enable bit can be set to HIGH. Since the default value of the local ENABLE bit is LOW, the supply will not start at this time.

To enable the BOOST5 converter, the local ENABLE bit is set to HIGH by writing a “1” to the Output Voltage Register. The Output Voltage value must be included each time the converter is enabled or disabled. The default value for the converter is read and written back along with the ENABLE bit or a different voltage can be written. When the ENABLE bit becomes set the BOOST5 Converter enters its soft-start sequence, ending up at the programmed voltage.

NOTE: Changes to the Output Voltage Register settings can be written directly without disabling the converter.

10.3.2 BOOST5 - Normal Disabling / Enabling

Setting either the Global Enable bit to LOW or the local ENABLE bit to LOW will turn off the BOOST5 Converter.

The Global Enable bit’s sole purpose is to shut down the converter into its lowest power shutdown mode. It is not intended to be used to toggle the BOOST5 Converter off and on. Proper operation is only guaranteed by toggling the ENABLE bit HIGH once the Global Enable bit is set HIGH to take it out of low power shutdown mode.

10.3.3 BOOST5 - STARTUP AND SOFT START

There is a direct path from V_{IN} through the external inductor (L) into the BOOST5_SWn pins, through SR1 to the BOOST5_OUT pin which directly charges the output capacitor (C_{OUT}) to $\sim V_{IN}$. During startup the converter continues charging to the programmed Output Voltage using Soft Start. During the Soft Start sequence the BOOST5 limits the peak inductor current for the first 500 μ s.

The Voltage value in the Output Voltage Register may be changed during the Soft Start sequence.

10.3.4 BOOST5 - PEAK CURRENT LIMITING

During normal operation the BOOST5 converter provides Cycle by Cycle current limiting. If the output voltage drops below V_{IN} then current limiting is no longer possible (See Section 10.3.3).

10.4 OUTPUT DIODE

Use a schottky diode such as an MSS1P5-E3/89A or equivalent if the converter output voltage is 4.5V or greater. The schottky diode carries the output current for the time it takes for the synchronous rectifier to turn on. Do not use ordinary rectifier diodes, since the slow recovery times will compromise efficiency. A schottky diode is optional for output voltages below 4.5V.

10.5 BOOST5 - APPLICATIONS INFORMATION

- V_{IN} (3.0 to 4.5V) typically comes from V_{SYS}
- The approximation output current capability versus V_{IN} value is given in the equation below.

$$I_{OUT} = \eta \times [I_{L_{OUT-PEAK}} - V_{IN} \times D / (2 \times L \times f)] \times (1 - D)$$

Where:

η = estimated efficiency

$I_{L_{OUT-PEAK}}$ = peak current limit value (1.5A)

V_{IN} = Input voltage

D = steady-state duty ratio = $(V_{OUT} - V_{IN}) / V_{OUT}$

f = switching frequency (1.0MHz typical)

L = inductance value (2.2uH)

- BOOST5 provides 4.05 to 5.0V to the CLASS_D Audio Power Bridge and (optionally) LDOs requiring 5V input.

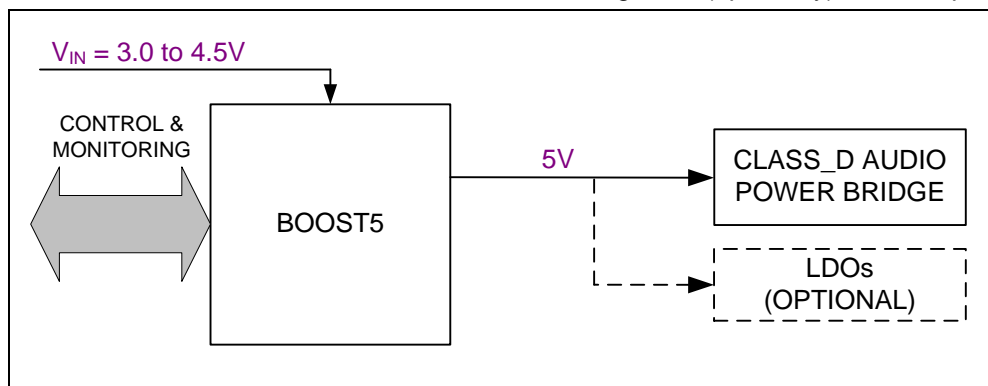


Figure 26 – BOOST5 Applications Diagram

- This block **DOES NOT PROVIDE** full short circuit protection. When the output voltage drops below the input voltage there is a direct path through the inductor and internal synchronous rectifier (SR1) directly to the output capacitor. The BOOST5 power supply block is designed to provide power to the CLASS_D Audio Amplifier and LDOs requiring input voltage greater than the system voltage. External devices powered by this IP block are expected to provide their own short circuit protection.
- Recommended External Components

ID	Description	Part No	Manufacturer
C_{IN}	Capacitor, Ceramic, 22 μ F, 6.3V, X5R	C0603X5R6R3-226MNE	Venkel
C_{OUT}	Capacitor, Ceramic, 22 μ F, 6.3V, X5R	C0603X5R6R3-226KNP	Venkel
L	Inductor, 2.2 μ H, 2.6A	CDRH3D23HPNP-2R2P	SUMIDA
D1	Diode, Schottky, 50V, 1 A	MSS1P5-E3/89A	Vishay/General Semiconductor

11.0 CLASS_D BTL POWER OUTPUT STAGE

FEATURES

- Single Supply, (+3.0 to 5.0V)
- Controllable by host & registers
- Short circuit protection

DESCRIPTION

The CLASS_D BTL Output is intended to be the Power Stage for the CLASS_D audio amplifier. It contains a logic interface and two half-bridges that consist of complementary FET output transistors with integrated gate drivers. It has programmable short circuit protection.

When driven by the P95020's CLASS_D Digital Logic, it is capable of meeting standard EMI requirements when operating in "filterless" (no L-C output filter) configuration.

11.1 CLASS_D - ELECTRICAL CHARACTERISTICS

Unless otherwise specified, typical values at $T_A = 25^\circ\text{C}$, $V_{\text{SYS}} = 3.8\text{V}$, $P_{\text{VDD}} = 5\text{V}$, $T_A = -40^\circ\text{C}$ to $+85^\circ\text{C}$, $R_L = 8\Omega$

SYMBOL	PARAMETER	CONDITIONS	MIN	TYP	MAX	UNIT
P_o	Output Power	$P_{\text{VDD}} = 5\text{V}$, $R_L = 4\Omega$, THD+N = 10%)		2.5		W
ϵ_{AMP}	Amplifier Efficiency ϵ	(4 Ω , 5V, 2W) $P_{\text{VDD}} = 5\text{V}$, $R_L = 4\Omega$, 2W		82		%
THD+N	Total harmonic distortion + Noise	4 Ω , 5V, 1W PVDD driven by external 5V supply		0.4		%
		8 Ω , 5V, 1W PVDD driven by external 5V supply		0.2		%
$F_{\text{PWM_AUDIO}}$	PWM frequency	Note 1, Note 2		352.8		kHz
V_{NOISE}	Output voltage noise	(4 Ω , 5V)		90		μV
I_{IDLE}	Idle current (Mute, no load)			1		μA
P_{VDD}	Input voltage		3.0		5.0	V
I_{SC}	Short circuit protection current limit		2.0			A
$I_{\text{Q-PVDD}}$	PVDD supply current (Power-Down)	Sum of currents			1	μA
I_{ONL}	PVDD supply current	Switching, No Load		6.0		mA
f_{PWM}	PWM frequency	Note 1, Note 2		352.8		kHz
t_r	Rise time	Resistive load	1	2	5	ns
t_f	Fall time	Resistive load	1	2	5	ns
I_Q	PVDD quiescent current	Mute, No load		3.6		mA

Notes:

1. Guaranteed by design and/or characterization.
2. Clock will be coming from external crystal through PLL. Resultant frequency will be within 1% range from the nominal.

11.2 CLASS_D – TYPICAL PERFORMANCE CHARACTERISTICS

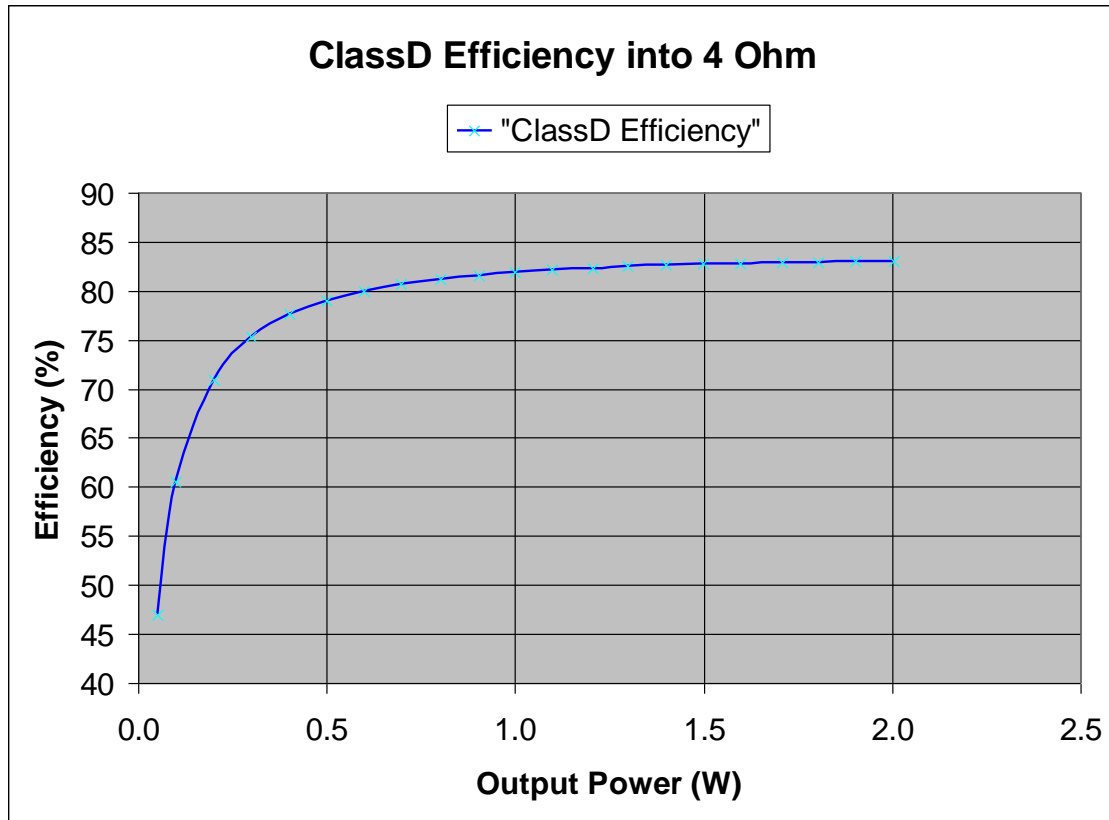


Figure 27 – Class D BTL Efficiency vs Output Power (4 ohm speaker)

11.3 CLASS_D – REGISTER SETTINGS

Register pair (0x8A, 0x8C) and register pair (0x8B, 0x8D) control and monitor the CLASS_D BTL Power Output Stage. Each half-bridge can be programmed by writing 8-bit control words to these registers.

Both Registers in each pair must be programmed identically. The Base addresses are defined in [Table 3 – Register Address Global Mapping](#) on page 20. The offset addresses are defined as Base Address in the following table.

11.3.1 CLASS_D - Control Registers:

This Register pair contains Enable, Short Circuit Threshold and Dead-Time settings. They must be set identically.

I²C Address = Page-0: 138 (0x8A), μ C Address = 0xA08A

I²C Address = Page-0: 140 (0x8C), μ C Address = 0xA08C

Bit	Bit Name	Def. Set.	User Type	Value	Description / Comments
[1:0]	RESERVED	01b	RW		RESERVED
[3:2]	SCTHR_CLASS_D	01b	RW	(See Table 27)	Short Circuit Threshold
[6:4]	RESERVED	000b	RW		RESERVED
7	ENABLE_CLASS_D	0b	RW	1 = Enable 0 = Disable	Master Enable

Table 27 – Peak Short Circuit Detect Level Settings for Bits [3:2]

Bit 3	Bit 2	Description
0	0	Short Circuit Threshold = 10% of F/S Voltage
0	1	Short Circuit Threshold = 14% of F/S Voltage
1	0	Short Circuit Threshold = 16% of F/S Voltage
1	1	Short Circuit Threshold = 20% of F/S Voltage

Note – Short Circuit detect threshold is set as a percentage of full scale output voltage.

11.3.2 CLASS_D - Operation Registers:

This Register pair contains Short Circuit Disable and Fault settings. They must be set identically.

I²C Address = Page-0: 139 (0x8B), μ C Address = 0xA08B

I²C Address = Page-0: 141 (0x8D), μ C Address = 0xA08D

Bit	Bit Name	Def. Set.	User Type	Value	Description / Comments
[3:0]	RESERVED	0h	RW		RESERVED
4	FAULT_CLASS_D	0b	R	1 = Fault 0 = No Fault	Short Circuit Detected
5	RESERVED	0b	R		RESERVED
6	SC_DISABLE_CLASS_D	0b	RW	1 = Disable SC Protect 0 = Normal SC Protect	Disable Short Circuit Protection
7	RESERVED	0b	RW		RESERVED

11.3.3 CLASS_D - Reserved Registers:

These registers are reserved and should not be written to.

I²C Address = Page-0: 142 (0x8E), μ C Address = 0xA08E

I²C Address = Page-0: 143 (0x8F), μ C Address = 0xA08F

11.4 CLASS_D - AUDIO INTERFACE AND DECODE

The audio functions of the CLASS_D BTL Power Output are controlled with internal logic level timing signals from the Audio Module. (See Sections 2.12 in the AUDIO MODULE)

11.5 CLASS_D - SHORT CIRCUIT PROTECTION CIRCUITRY

The CLASS_D BTL Power Output includes protection circuitry for over-current conditions. Setting the SC_DISABLE to HIGH will disable Short Circuit protection.

When SC_DISABLE is set to LOW and a short circuit occurs, all output FETS will be latched into a disabled mode (all output FETS off). The short circuit latch is autonomously reset by the AUDIO Module.

11.6 CLASS_D - APPLICATIONS INFORMATION

11.6.1 CLASS_D - Recommended External Components

ID	Qty	Description
C _{IN1}	1	Capacitor Ceramic 1.0 μ F 10V 10% X7R 0805
C _{IN2}	1	Capacitor 330 μ F 6.3V Elect FK SMD
C _{SNUB}	1	Capacitor, Ceramic, 220 pF, 10%, X7R, 0402
R _{SNUB}	1	Resistor, 5.1 Ohm, 1/4 Watt

12.0 TSC MODULE - ADC AND TOUCH SCREEN CONTROLLER

The P95020 includes a Touch Screen Controller and a General Purpose ADC. These functions make use of external I/O that can also be used as General Purpose I/O (GPIO) when the Touch Screen Controller and General Purpose ADC are not in use. This section will describe the operation of the Touch Screen Controller.

FEATURES

- **ADC** – Analog to Digital Converter
 - ◆ 12-bit 62.5 ksp/s successive approximation ADC measures 8 channels
 - ◆ User-programmable conversion parameters
 - ◆ Auto shut-down between conversions
- **TSC** – Touch Screen Controller
 - ◆ 4-wire simple touch screen controller
 - ◆ Screen touch detection and interrupt generation
 - ◆ Automatic (master) mode for touch location measurement

DESCRIPTION

The P95020 includes an ADC subsystem which operates in two modes: Touch Screen Mode and General Purpose ADC Mode. In Touch Screen Mode there are four input pins reserved for the 4-wire resistive touch screen outputs and a pen-down status signal is available to notify the host processor. In General Purpose ADC Mode, the pins used to connect the touchscreen in Touchscreen Mode are used as general purpose analog signal inputs.

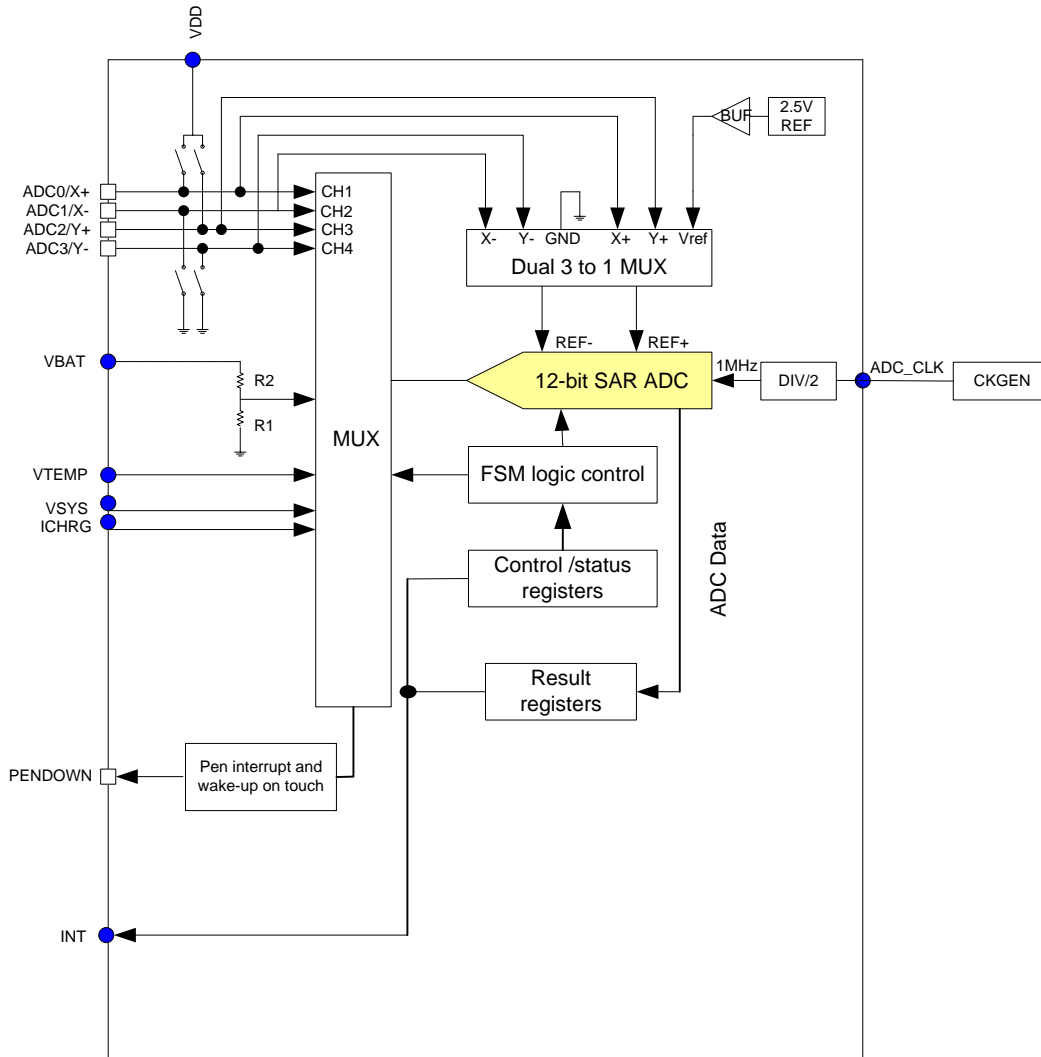


Figure 28 – ADC & Touchscreen Controller Block Diagram

12.1 ADC AND TOUCH SCREEN CONTROLLER ELECTRICAL CHARACTERISTICS

Unless otherwise specified, typical values at $T_A = 25^\circ\text{C}$, $V_{\text{SYS}} = 3.8\text{V}$, $T_A = -40^\circ\text{C}$ to $+85^\circ\text{C}$

SYMBOL	PARAMETER	CONDITIONS	MIN	TYP	MAX	UNIT
VDD	Input Voltage		3		5.5	V
IDD_TSC	Touch Screen Controller Supply Current	Excluding Sensor Current		3		mA
RES	ADC Resolution				12	bits
DNL	ADC differential non-linearity		-1		1	LSB
INL	ADC integral non-linearity		-2		2	LSB
Refvol	Internal Reference Voltage Level Accuracy	Note 1	2.475	2.5	2.525	V
Refacc	Internal Reference Voltage Accuracy			2		%
Rsw	Sensor Driver Switch resistance			20		Ω
RBAT	VBAT Battery Input Resistance	Divider End to End Resistance		67.6		$\text{k}\Omega$
BATR	Battery Resistive Divider Ratio	$R1/(R1+R2)$		0.5925		
EBATR	Battery Resistive Divider Error			1		%

Notes:

1. May be subject to the constraints of power supply voltage and battery volt

12.2 ADC AND TOUCH SCREEN CONTROLLER PIN DEFINITIONS

PIN #	PIN_ID	DESCRIPTION
002	ADC1 / GPIO6	ADC1 : X- pin to 4-wire resistive touch-screen / Analog general purpose auxiliary input channel 2 GPIO 6: General Purpose I/O # 6
003	ADC3 / GPIO7	ADC3 : Y- pin to 4-wire resistive touch-screen / Analog general purpose auxiliary input channel 4 GPIO 7: General Purpose I/O # 7
004	ADC2 / GPIO8	ADC2 : Y+ pin to 4-wire resistive touch-screen / Analog general purpose auxiliary input channel 3 GPIO 8: General Purpose I/O # 8
005	ADC0 / GPIO9 / MCLK_IN	ADC0 : X+ pin to 4-wire resistive touch-screen / Analog general purpose auxiliary input channel 1 GPIO 9: General Purpose I/O # 9 MCLK_IN : Master Clock Input
117	ADCGND / GND_BAT	ADCGND & GND_BAT: Shared analog ground pin for ADC and battery charger.

12.3 ADC AND TOUCH SCREEN CONTROLLER OPERATION

The ADC and TSC module comprises of the following functions:

- 4-wire touch screen controller
- General purpose analog signal measurement
- On-die temperature and voltage monitoring, including low voltage and high temperature detectors

ADC_TSC_EN and clock generator PLL (0xA034[2:0] default value is 00b, PLL off) need to be enabled if any of the above mentioned function needs to work. Since the ADC and Reference voltage is powered on only when a measurement is scheduled, the power consumption will be low if there is no frequent measurements been configured.

The A/D converter is limited to 12-bit resolution, the conversion clock run at 1MHz and conversion takes 12 clock cycles. The 1MHz clock will be coming from external crystal through PLL.

12.3.1 TOUCH SCREEN MODE

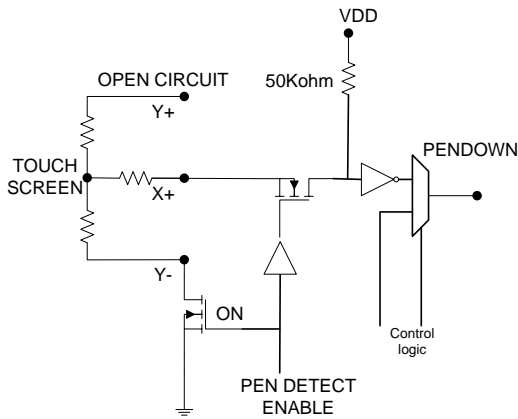
In this mode, pin GPIO6/7/8/9 are supposed to connected to the pin X-/Y-/Y+/X+ of a 4 wire resistive touch screen. The pen-down detection circuit will be active automatically. When the screen is touched, the pen-down detect it and asserted PENDOWN signal (mapped to GPIO1) to notify the processor. PENDOWN event could also (if programmed) trigger the processor interrupt via the interrupt signal (mapped to GPIO5) of the chip. The touch screen controller operates in master measurement mode. When touched, the controller will automatically initiate the X, Y (and Z1, Z2 if configured) measurement when the pen-down status is detected. After the conversion is done the result is stored into result registers and pen-down detection circuit will be back to work. Measurement will restart automatically as long as the pen-down

status is still valid. The PENDOWN (GPIO1) pin will be asserted whenever there is a valid measurement result stored in the X/Y/Z1/Z2 register. It will be kept asserted until pendown status is not valid.

In the touch screen mode, the other internal monitoring channels (BAT, TEMP, VSYS and ICHRG) are still active for measurement when the panel is not touched.

PEN-DOWN DETECTION

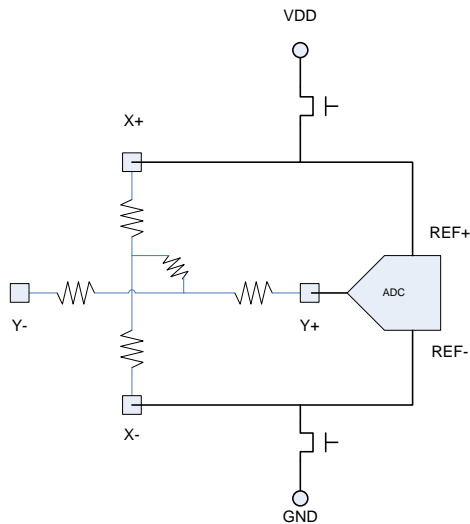
The pen-down detection circuit is only active in touch screen mode and is automatic (H/W autonomous). The detection circuit is deactivated during measurements and reactivated after each measurement is completed to continue monitoring the pen-down status. When touch screen detection is enabled, the Y- driver is ON and connected to GND and the X+ pin is internally pulled to VDD through a 50Kohm resistor. When the touch screen is touched, the X+ pin is pulled to GND through the touch screen and PENDOWN goes high. The system will wait the amount of time defined by PENDOWN_TIMER in the TSC Configuration Register to determine if the pen-down event is valid. If the pen-down event is valid, an X/Y/Z1/Z2 measurement will begin.



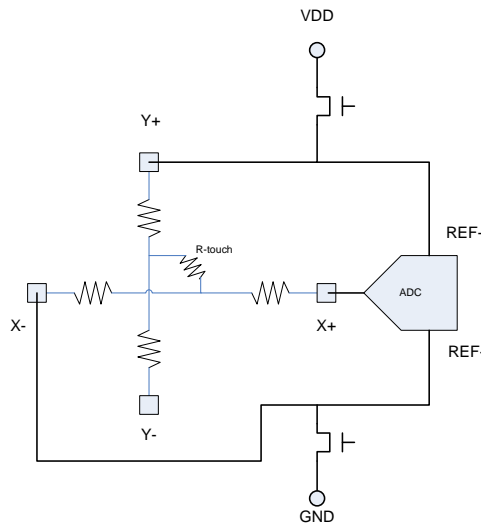
PEN-DOWN DETECTION Function Block Diagram.

TSC – MEASURING TOUCH SCREEN LOCATION (X/Y)

When a PENDOWN valid event occurs the touch screen controller will automatically initiate an X/Y location measurement. Each measurement can be configured to be done $2^{AVERAGE_SEL_TSC}$ times (as defined in the Average Timer Select Register) and then averaged. The results of the averaged conversions will then be stored into the Result Registers provided the PENDOWN status remains valid throughout a user-defined time (PENUP_TIMER). X/Y measurements will continue to be made as long as the PENDOWN status remains valid. Each successive X/Y result will overwrite the previous location written to the X Measurement and Y Measurement Result Registers.



Measure X-Position



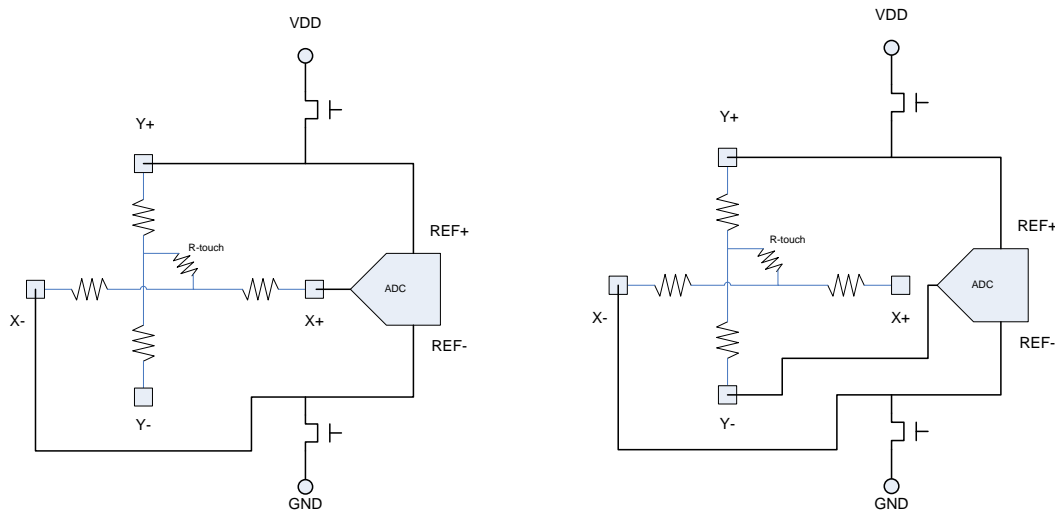
Measure Y-Position

TSC – MEASURING TOUCH SCREEN PRESSURE (Z1/Z2)

The user can configure whether pressure measurements will be taken by writing to the Pressure Measure Control bits in the TSC Configuration Register. When measuring touch screen pressure, two parameters (Z1 and Z2) are measured automatically. Along with the X/Y measurement, these values can be used to calculate the touch-resistance (R_{TOUCH}) with a formula such as:

$$R_{TOUCH} = R_{X-PLATE} \cdot \frac{X}{4096} \cdot \left(\frac{Z2}{Z1} - 1 \right)$$

Where $R_{X-PLATE}$ is the X-plate panel resistance.



Measure Z1-Position

Measure Z2-Position

12.3.2 GENERAL PURPOSE ADC MODE

In this mode, GPIO6/7/8/9 are analog general purpose auxiliary signal inputs ADC1/ADC3/ADC2/ADC0. There are also other four internal signals connect to ADC input multiplexer: BAT, TEMP, VSYS and ICHRG. Those signals are for battery voltage, die temperature, system voltage and charging current measurement.

ADC AUTO POWER DOWN MODE

In this mode, the ADC and internal reference is usually off. When a measurement is either scheduled by internal timer or external request, the device powers up the ADC and internal reference, and waits for the internal reference to settle. Then the signal acquisition starts. The ADC and the reference will be powered down after all the outstanding scheduled/requested tasks are finished. All the measurement channels will be served in a round robin manner.

ADC ALWAYS ON MODE

In this mode, the ADC is always powered up and the internal ADC reference is always on. The internal reference remains fully powered after completing a sequence. All the measurement channels will be served in a round robin manner.

12.3.3 SYSTEM MONITORING AND ALERT GENERATION

There are four internal channels support scheduled measurement and monitoring:

- Battery voltage (VBAT) measurement
- Die Temperature (VTEMP) measurement
- Vsys Level (VSYS) measurement
- Battery charging current (CHRG_ICHRG) measurement

Among those, three of them are with alert signal generation:

- Battery voltage
- Die temperature
- Vsys level

Measured results are saved in dedicated result registers and compared with pre-defined spec limits. If it is out of the limit, an alert (map to processor interrupt) signal can be asserted and alert status will be set.

12.4 ADC AND TOUCH SCREEN CONTROLLER REGISTERS

12.4.1 PCON Register – ADC_TSC ENABLE REGISTER

I²C Address = Page-0: 39(0x39), μ C Address = 0xA039

Bit	Bit Name	Def. Set.	User Type	Value	Description / Comments
0	ADC_TSC_EN	0b	RW	0 = Disabled 1 = Enabled	Enable ADC or Touch screen controller. When disabled, the ADC_TSC module retains the configuration register settings but the clock is gated (low power mode).
[7:1]	RESERVED	0000000b	RW		RESERVED

12.4.2 REAL TIME MEASUREMENT STATUS REGISTER

I²C Address = Page-0: 192(0xC0), μ C Address = 0xA0C0

Bit	Bit Name	Def. Set.	User Type	Value	Description / Comments
0	PENDOWN	0b	R	0 = No Alert 1 = Alert Exists	Pendown status in touch screen mode. Alert will be asserted when pendown detected. Deassert when pendown is not detected.
1	THI_ALERT	0b	R	0 = No Alert 1 = Alert Exists	Temperature higher than specified status
2	TLO_ALERT	0b	R	0 = No Alert 1 = Alert Exists	Temperature lower than specified status
3	BHI_ALERT	0b	R	0 = No Alert 1 = Alert Exists	Battery voltage higher than specified status
4	BLO_ALERT	0b	R	0 = No Alert 1 = Alert Exists	Battery voltage lower than specified status
5	VSYSHI_ALERT	0b	R	0 = No Alert 1 = Alert Exists	VSYS higher than specified status
6	VSYSLO_ALERT	0b	R	0 = No Alert 1 = Alert Exists	VSYS lower than specified status
7	BLO_EXT_ALERT	0b	R	0 = No Alert 1 = Alert Exists	Battery voltage extremely low status

12.4.3 X MEASUREMENT / AUXILIARY CHANNEL 1 RESULT REGISTER

I²C Address = Page-0: 193(0xC1), μ C Address = 0xA0C1

I²C Address = Page-0: 194(0xC2), μ C Address = 0xA0C2

Bit	Bit Name	Def. Set.	User Type	Value	Description / Comments
[11:0]	RESULTS_CH1	000h	R		X position voltage in TSC mode / Channel 1 voltage in ADC mode
[15:12]	RESERVED		R		RESERVED

12.4.4 Y MEASUREMENT / AUXILIARY CHANNEL 2 RESULT REGISTER

I²C Address = Page-0: 195(0xC3), μ C Address = 0xA0C3

I²C Address = Page-0: 196(0xC4), μ C Address = 0xA0C4

Bit	Bit Name	Def. Set.	User Type	Value	Description / Comments
[11:0]	RESULTS_CH2	000h	R		Y position voltage in TSC mode / Channel 2 voltage in ADC mode
[15:12]	RESERVED		R		RESERVED

12.4.5 Z1 MEASUREMENT/ AUXILIARY CHANNEL 3 RESULT REGISTER

I²C Address = Page-0: 197(0xC5), μ C Address = 0xA0C5

I²C Address = Page-0: 198(0xC6), μ C Address = 0xA0C6

Bit	Bit Name	Def. Set.	User Type	Value	Description / Comments
[11:0]	RESULTS_CH3	000h	R		Channel-3 voltage (ADC mode) or Z1 (TSC mode)
[15:12]	RESERVED		R		RESERVED

12.4.6 Z2 MEASUREMENT / AUXILIARY CHANNEL 4 RESULT REGISTER

I²C Address = Page-0: 199(0xC7), μ C Address = 0xA0C7

I²C Address = Page-0: 200(0xC8), μ C Address = 0xA0C8

Bit	Bit Name	Def. Set.	User Type	Value	Description / Comments
[11:0]	RESULTS_CH4	000h	R		Channel-4 voltage (ADC mode) or Z2 (TSC mode)
[15:12]	RESERVED		R		RESERVED

12.4.7 VBAT MEASUREMENT RESULT REGISTERI²C Address = Page-0: 201(0xC9), μ C Address = 0xA0C9I²C Address = Page-0: 202(0xCA), μ C Address = 0xA0CA

Bit	Bit Name	Def. Set.	User Type	Value	Description / Comments
[11:0]	RESULTS_VBAT	000h	R		Battery converted voltage
[15:12]	RESERVED		R		RESERVED

$$VBAT = \frac{RESULTS_VBAT}{4096} \bullet 4.2$$

12.4.8 VTEMP MEASUREMENT RESULT REGISTERI²C Address = Page-0: 203(0xCB), μ C Address = 0xA0CBI²C Address = Page-0: 204(0xCC), μ C Address = 0xA0CC

Bit	Bit Name	Def. Set.	User Type	Value	Description / Comments
[11:0]	RESULTS_VTEMP	000h	R		Temperature converted voltage
[15:12]	RESERVED		R		RESERVED

$$TEMP = RESULTS_VTEMP \bullet 0.114822 - 278.2565$$

12.4.9 VSYS MEASUREMENT RESULT REGISTERI²C Address = Page-0: 205(0xCD), μ C Address = 0xA0CDI²C Address = Page-0: 206(0xCE), μ C Address = 0xA0CE

Bit	Bit Name	Def. Set.	User Type	Value	Description / Comments
[11:0]	RESULTS_VSYS	000h	R		VSYS measurement result
[15:12]	RESERVED		R		RESERVED

$$VSYS = \frac{RESULTS_VSYS}{4096} \bullet 5.0$$

12.4.10 CHRГ_ICHRГ RESULT REGISTERI²C Address = Page-0: 207(0xCF), μ C Address = 0xA0CFI²C Address = Page-0: 208(0xD0), μ C Address = 0xA0D0

Bit	Bit Name	Def. Set.	User Type	Value	Description / Comments
[11:0]	RESULTS_CHRG	000h	R		CHRG_ICHRГ measurement result
[15:12]	RESERVED		R		RESERVED

$$ICHRG = \frac{RESULTS_CHRG}{R_{CHRG_ICHRG}} \bullet 2.5 \bullet \frac{h_{PROG}}{R_{CHRG_ICHRG}}$$

h_{PROG}: Ratio of IBAT to ICHRG pin current**12.4.11 ADC CONFIGURATION REGISTER**I²C Address = Page-0: 209(0xD1), μ C Address = 0xA0D1

Bit	Bit Name	Def. Set.	User Type	Value	Description / Comments
0	SYSMODE	0b	R/W	0: General Purpose ADC Mode 1: Touch Screen Mode	System mode select
1	RESERVED	0b	R/W		RESERVED
2	POWERMODE	0b	R/W	0: ADC Auto Power Down 1: ADC Always On	Power mode select
[7:3]	RESERVED	00000b	R/W		RESERVED

12.4.12 MEASUREMENT STATUS INTERRUPT ENABLE REGISTERI²C Address = Page-0: 210(0xD2), μ C Address = 0xA0D2

Bit	Bit Name	Def. Set.	User Type	Value	Description / Comments
0	PENDOWNEN	0b	R/W	0 = Disabled 1 = Enabled	Pendown status interrupt enable
1	THI_ALERTEN	0b	R/W	0 = Disabled 1 = Enabled	Temperature higher than specified status interrupt enable
2	TLO_ALERTEN	0b	R/W	0 = Disabled 1 = Enabled	Temperature lower than specified status interrupt enable
3	BHI_ALERTEN	0b	R/W	0 = Disabled 1 = Enabled	Battery voltage higher than specified status interrupt enable
4	BLO_ALERTEN	0b	R/W	0 = Disabled 1 = Enabled	Battery voltage lower than specified status interrupt enable
5	VSYSHI_ALERTEN	0b	R/W	0 = Disabled 1 = Enabled	VSYS higher than specified status interrupt enable
6	VSYSLO_ALERTEN	0b	R/W	0 = Disabled 1 = Enabled	VSYS lower than specified status interrupt enable
7	BLO_EXT_ALERTEN	0b	R/W	0 = Disabled 1 = Enabled	Battery voltage extremely low status interrupt enable

12.4.13 CHANNEL 1 AUTOMATIC MEASUREMENT ENABLE REGISTERI²C Address = Page-0: 211(0xD3), μ C Address = 0xA0D3

Bit	Bit Name	Def. Set.	User Type	Value	Description / Comments
0	CH1AUTOEN	0b	R/W	0 = Disabled 1 = Enabled	Enable automatic measurement
[3:1]	RESERVED		R/W		RESERVED
[7:4]	CH1P	0h	R/W	0000 = 0, 0001 = 1, etc.	Automatic measurement will occur every 2^{CH1P} milliseconds

12.4.14 CHANNEL 2 AUTOMATIC MEASUREMENT ENABLE REGISTERI²C Address = Page-0: 212(0xD4), μ C Address = 0xA0D4

Bit	Bit Name	Def. Set.	User Type	Value	Description / Comments
0	CH2AUTOEN	0b	R/W	0 = Disabled 1 = Enabled	Enable automatic measurement
[3:1]	RESERVED		R/W		RESERVED
[7:4]	CH2P	0h	R/W	0000 = 0, 0001 = 1, etc.	Automatic measurement will occur every 2^{CH2P} milliseconds

12.4.15 CHANNEL 3 AUTOMATIC MEASUREMENT ENABLE REGISTERI²C Address = Page-0: 213(0xD5), μ C Address = 0xA0D5

Bit	Bit Name	Def. Set.	User Type	Value	Description / Comments
0	CH3AUTOEN	0b	R/W	0 = Disabled 1 = Enabled	Enable automatic measurement
[3:1]	RESERVED		R/W		RESERVED
[7:4]	CH3P	0h	R/W	0000 = 0, 0001 = 1, etc.	Automatic measurement will occur every 2^{CH3P} milliseconds

12.4.16 CHANNEL 4 AUTOMATIC MEASUREMENT ENABLE REGISTERI²C Address = Page-0: 214(0xD6), μ C Address = 0xA0D6

Bit	Bit Name	Def. Set.	User Type	Value	Description / Comments
0	CH4AUTOEN	0b	R/W	0 = Disabled 1 = Enabled	Enable automatic measurement
[3:1]	RESERVED		R/W		RESERVED
[7:4]	CH4P	0h	R/W	0000 = 0, 0001 = 1, etc.	Automatic measurement will occur every 2^{CH4P} milliseconds

12.4.17 VSYS AUTOMATIC MEASUREMENT ENABLE REGISTERI²C Address = Page-0: 215(0xD7), μ C Address = 0xA0D7

Bit	Bit Name	Def. Set.	User Type	Value	Description / Comments
0	VSYSAUTOEN	0b	R/W	0 = Disabled 1 = Enabled	Enable automatic measurement
[3:1]	RESERVED		R/W		RESERVED
[7:4]	VSYS SP	0h	R/W	0000 = 0, 0001 = 1, etc.	Automatic measurement will occur every $2^{\text{VSYS SP}}$ milliseconds

12.4.18 CHRGI CHRG AUTOMATIC MEASUREMENT ENABLE REGISTERI²C Address = Page-0: 216(0xD8), μ C Address = 0xA0D8

Bit	Bit Name	Def. Set.	User Type	Value	Description / Comments
0	CHRGIAUTOEN	0b	R/W	0 = Disabled 1 = Enabled	Enable automatic measurement
[3:1]	RESERVED		R/W		RESERVED
[7:4]	CHRGIP	0h	R/W	0000 = 0, 0001 = 1, etc.	Automatic measurement will occur every 2^{CHGP} milliseconds

12.4.19 TEMPERATURE AUTOMATIC MEASUREMENT ENABLE REGISTERI²C Address = Page-0: 217(0xD9), μ C Address = 0xA0D9

Bit	Bit Name	Def. Set.	User Type	Value	Description / Comments
0	TAUTOEN	0b	R/W	0 = Disabled 1 = Enabled	Enable automatic measurement
[3:1]	RESERVED		R/W		RESERVED
[7:4]	TP	0h	R/W	0000 = 0, 0001 = 1, etc.	Automatic measurement will occur every 2^{TP} milliseconds

12.4.20 BATTERY AUTOMATIC MEASUREMENT ENABLE REGISTERI²C Address = Page-0: 218(0xDA), μ C Address = 0xA0DA

Bit	Bit Name	Def. Set.	User Type	Value	Description / Comments
0	BAUTOEN	0b	R/W	0 = Disabled 1 = Enabled	Enable automatic measurement
[3:1]	RESERVED		R/W		RESERVED
[7:4]	BP	0h	R/W	0000 = 0, 0001 = 1, etc.	Automatic measurement will occur every 2^{BP} milliseconds

12.4.21 VSYS RANGE HIGH SPEC REGISTERI²C Address = Page-0: 219(0xDB), μ C Address = 0xA0DBI²C Address = Page-0: 220(0xDC), μ C Address = 0xA0DC

Bit	Bit Name	Def. Set.	User Type	Value	Description / Comments
[11:0]	VSYS HI	FFFh	R/W		High voltage specification for VSYS signal monitoring
[15:12]	RESERVED		R/W		RESERVED

12.4.22 VSYS RANGE LOW SPEC REGISTERI²C Address = Page-0: 221(0xDD), μ C Address = 0xA0DDI²C Address = Page-0: 222(0xDE), μ C Address = 0xA0DE

Bit	Bit Name	Def. Set.	User Type	Value	Description / Comments
[11:0]	VSYS LO	000h	R/W		Low voltage specification for VSYS signal monitoring
[15:12]	RESERVED		R/W		RESERVED

12.4.23 BATTERY RANGE HIGH SPEC REGISTERI²C Address = Page-0: 223(0xDF), μ C Address = 0xA0DFI²C Address = Page-0: 224(0xE0), μ C Address = 0xA0E0

Bit	Bit Name	Def. Set.	User Type	Value	Description / Comments
[11:0]	BATHI	FFFh	R/W		High specification for battery voltage monitoring
[15:12]	RESERVED		R/W		RESERVED

12.4.24 BATTERY RANGE LOW SPEC REGISTERI²C Address = Page-0: 225(0xE1), μ C Address = 0xA0E1I²C Address = Page-0: 226(0xE2), μ C Address = 0xA0E2

Bit	Bit Name	Def. Set.	User Type	Value	Description / Comments
[11:0]	BATLO	000h	R/W		Low specification for battery voltage monitoring
[15:12]	RESERVED		R/W		RESERVED

12.4.25 TEMPERATURE HIGH SPEC REGISTERI²C Address = Page-0: 227(0xE3), μ C Address = 0xA0E3I²C Address = Page-0: 228(0xE4), μ C Address = 0xA0E4

Bit	Bit Name	Def. Set.	User Type	Value	Description / Comments
[11:0]	TEMPHI	FFFh	R/W		High specification for temperature monitoring
[15:12]	RESERVED		R/W		RESERVED

12.4.26 TEMPERATURE LOW SPEC REGISTERI²C Address = Page-0: 229(0xE5), μ C Address = 0xA0E5I²C Address = Page-0: 230(0xE6), μ C Address = 0xA0E6

Bit	Bit Name	Def. Set.	User Type	Value	Description / Comments
[11:0]	TEMPLO	000h	R/W		Low specification for temperature monitoring
[15:12]	RESERVED		R/W		RESERVED

12.4.27 TEMPERATURE EXTREMELY HIGH STATUS AND CONTROL REGISTERI²C Address = Page-0: 231(0xE7), μ C Address = 0xA0E7

Bit	Bit Name	Def. Set.	User Type	Value	Description / Comments
0	TEMP_EXT_HI	0b	R	0 = Temperature lower than 155°C 1 = Temperature higher than 155°C	Die Temperature higher than 155°C
[3:1]	RESERVED		R/W		RESERVED
4	TEMP_EXT_HI_ALERTEN	0b	R/W	0 = Disable 1 = Enable	Temperature extremely high interrupt enable
[7:5]	RESERVED		R/W		RESERVED

12.4.28 TEMPERATURE SENSOR CONFIGURATION REGISTERI²C Address = Page-0: 232(0xE8), μ C Address = 0xA0E8

Bit	Bit Name	Def. Set.	User Type	Value	Description / Comments
0	RESERVED	0b	R/W		RESERVED
1	PD_SH_SENSOR	0b	R/W	0 = Power up detector 1 = Power down detector	Power up or down detector for battery lower than 3.0V or temperature higher than 155°C. The power of the detector is ~30uA.
2	RESERVED	1b	R/W		RESERVED
[7:3]	RESERVED	00000b	R/W		RESERVED

12.4.29 AVERAGE TIMER SELECT REGISTERI²C Address = Page-0: 234(0xEA), μ C Address = 0xA0EA

Bit	Bit Name	Def. Set.	User Type	Value	Description / Comments
[2:0]	AVERAGE_SEL_SYS	000b	R/W	000 = No average 001 = Average 2 values 010 = Average 4 values 011 = Average 8 values 100 = Average 16 values Others = Reserved	Average count select for internal system monitoring channels.
[5:3]	AVERAGE_SEL_TSC	000b	R/W	000 = No average 001 = Average 2 values 010 = Average 4 values 011 = Average 8 values 100 = Average 16 values Others = Reserved	Average count select for channels 1/2/3/4.
[7:6]	RESERVED	00b	R/W		RESERVED

12.4.30 TSC CONFIGURATION REGISTERI²C Address = Page-0: 235(0xEB), μ C Address = 0xA0EB

Bit	Bit Name	Def. Set.	User Type	Value	Description / Comments
[1:0]	PENDOWN_TIMER	00b	R/W	00 = 128 μ s 01 = 1.02 ms 10 = 8.19 ms 11 = 32.77 ms	Pen-down debounce timer
[3:2]	PENUP_TIMER	00b	R/W	00 = 128 μ s 01 = 512 μ s 10 = 2.05 ms 11 = 8.19 ms	Pen-up update safety timer
[5:4]	PRESSURE_MEASURE_CTRL	00b	R/W	00 = No pressure measure 01 = Measure Z1 only 10 = Reserved 11 = Measure Z1 and Z2	Pressure measure control
[7:6]	SEL_DELAY_TIMER	00b	R/W	00 = 12 μ s 01 = 24 μ s 10 = 48 μ s 11 = 96 μ s	Timer period from channel select to sample acquisition. Channel 1/2/3/4 only.

12.4.31 MEASUREMENT INTERRUPT PENDING STATUS REGISTERI²C Address = Page-0: 236(0xEC), μ C Address = 0xA0EC

Bit	Bit Name	Def. Set.	User Type	Value	Description / Comments
0	PENDOWN_PENDING	0b	RW1C	0 = No alert pending 1 = Alert pending	Pen-down in TSC mode status. Alert will be asserted whenever there is a valid measurement result stored in the X/Y/Z1/Z2 register, write 1 to clear alert.
1	THI_ALERT_PENDING	0b	RW1C	0 = No alert pending 1 = Alert pending	Temperature higher than spec. status
2	TLO_ALERT_PENDING	0b	RW1C	0 = No alert pending 1 = Alert pending	Temperature lower than spec. status
3	BHI_ALERT_PENDING	0b	RW1C	0 = No alert pending 1 = Alert pending	Battery voltage higher than spec. status
4	BLO_ALERT_PENDING	0b	RW1C	0 = No alert pending 1 = Alert pending	Battery voltage lower than spec. status
5	VSYS_HI_ALERT_PENDING	0b	RW1C	0 = No alert pending 1 = Alert pending	VSYS higher than spec. status
6	VSYS_LO_ALERT_PENDING	0b	RW1C	0 = No alert pending 1 = Alert pending	VSYS lower than spec. status
7	BLO_EXT_ALERT_PENDING	0b	RW1C	0 = No alert pending 1 = Alert pending	Battery voltage extremely low status

12.4.32 TEMPERATURE EXTREMELY HIGH INTERRUPT PENDING STATUS REGISTERI²C Address = Page-0: 237(0xED), μ C Address = 0xA0ED

Bit	Bit Name	Def. Set.	User Type	Value	Description / Comments
0	TEMP_EXT_HI_PENDING	0b	RW1C	0 = No alert pending 1 = Alert pending	Die temperature higher than 155°C status
[7:1]	RESERVED	0000000b	RW		RESERVED

12.4.33 VSYS RANGE MARGIN REGISTERI²C Address = Page-0: 238(0xEE), μ C Address = 0xA0EE

Bit	Bit Name	Def. Set.	User Type	Value	Description / Comments
[3:0]	VSYS_MARGIN	0h	RW		Margin for VSYS signal monitoring
[7:4]	RESERVED	0h	RW		RESERVED

12.4.34 BATTERY RANGE MARGIN REGISTERI²C Address = Page-0: 239(0xEF), μ C Address = 0xA0EF

Bit	Bit Name	Def. Set.	User Type	Value	Description / Comments
[3:0]	BAT_MARGIN	0h	RW		Margin for battery signal monitoring
[7:4]	RESERVED	0h	RW		RESERVED

12.4.35 TEMPERATURE RANGE MARGIN REGISTER

I²C Address = Page-0: 240(0xF0), μ C Address = 0xA0F0

Bit	Bit Name	Def. Set.	User Type	Value	Description / Comments
[3:0]	TEMP_MARGIN	0h	RW		Margin for temperature signal monitoring
[7:4]	RESERVED	0h	RW		RESERVED

12.4.36 MARGIN REGISTER GENERAL DESCRIPTION

All margin registers are used to implement a hysteresis for alert/interrupt signal generation:

For xxx_HI_int, only when

Result > threshold + margin

Status will be asserted. When

Result <= threshold - margin

Status will be de-asserted.

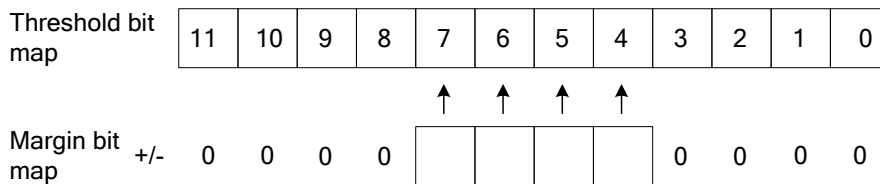
For xxx_Lo_int, only when

Result < threshold - margin

Status will assert. When

Result >= threshold + margin

Status will be de-asserted.



The 4 bits of margin registers are mapped to threshold as figure above. If sum (+/-) operation result is larger than 0xff or smaller than 0, then 0xff or 0 will be used as the real threshold setting.

12.4.37 Equation

12.4.38 ADC - RESERVED Registers

These registers are reserved. Do not write to them.

I²C Address = Page-0: 233(0xE9), μ C Address = 0xA0E9

I²C Address = Page-0: 236(0xF1), μ C Address = 0xA0F1

Thru = Page-0: 255(0xFF), μ C Address = 0xA0FF

13.0 PCON MODULE – POWER CONTROLLER AND GENERAL PURPOSE I/O

PCON Module is the power controller of the device. It also manages the registers associated with GPIO and CKGEN.

13.1 GPIO PIN DEFINITIONS

PIN #	PIN_ID	DESCRIPTION
117	GND_BAT/ADCGND	GND_BAT & ADCGND: Shared analog ground pin for battery charger and ADC
118	DGND	Digital Ground
119	POR_OUT	Power-On Reset Output, Open-drain Output, Active Low
120	SW_DET	Switch Detect Input
121	GPIO1 / SW_OUT / PENDOWN	GPIO 1: General Purpose I/O # 1 SW_OUT: Switch Detect Output PENDOWN: Pen down
122	GPIO2 / LED1	GPIO 2: General Purpose I/O # 2 LED1: Charger LED # 1 Indicates charging in progress
123	GPIO3 / LED2	GPIO 3: General Purpose I/O # 3 LED2: Charger LED # 2 Indicates charging complete
124	GPIO4 / CHRG_ILIM	GPIO 4: General Purpose I/O # 4 CHRG_ILIM
001	GPIO5 / INT_OUT	GPIO 5: General Purpose I/O # 5 INT_OUT : Interrupt Output
002	GPIO6 / ADC1	GPIO 6: General Purpose I/O # 6 ADC1 : ADC Input Channel 1 (X-)
003	GPIO7 / ADC3	GPIO 7: General Purpose I/O # 7 ADC3 : ADC Input Channel 3 (Y-)
004	GPIO8 / ADC2	GPIO 8: General Purpose I/O # 8 ADC2 : ADC Input Channel 2 (Y+)
005	GPIO9 / ADC0 / MCLK_IN	GPIO 9: General Purpose I/O # 9 ADC0 : ADC Input Channel 0 (X+) MCLK_IN : Master Clock Input
006	GPIO10	GPIO 10: General Purpose I/O # 10

13.2 POWER STATES

P95020 device has two hardware power states.

OFF State:

P95020 enters OFF state after the first time battery insertion. The system power (V_{SYS}) is provided by the battery via the ideal diode. V_{SYS} powering up will issue a power-on-reset to reset all the logic on the device to default state and P95020 enters OFF state. In this state;

- 32K crystal oscillator (or associate RC oscillator) is running and generates 32k/4k/1k clocks.
- The RTC module is enabled and the RTC registers are maintained.
- The always on LDO is enabled and provides power to system.
- The power switch detection (SW_DET) circuit is running.
- Ideal diode driver is running.
- All regulators, touch screen controller and audio are in power down or inactive mode.
- Wait for interrupts to wake up CPU and bring system to ON state.

ON State:

P95020 enters ON state after momentarily pressing and releasing a button attached to SW_DET or AC adaptor insertion. The CKGEN (Clock generator module) power is enabled and the 8MHz I2C and processor clock is available.

13.3 POWER SEQUENCING BY EMBEDDED MICROCONTROLLER

Pending embedded uP interrupt will trigger the following actions;

Hardware actions:

- Set PSTATE_ON bit of POWER STATE AND SWITCH CONTROL REGISTER (0xA031) to 1, turn on the power of CKGEN (VDD_CKGEN18, VDD_CKGEN33) and hence 8MHz (processor and I2C clock) clock is available.
- Turn on the power of Embedded Microcontroller (VDD_EMBUP18) and release processor reset automatically after 4ms. Processor start to execute code stroed in the internal ROM or external ROM.

Firmware actions:

- Embedded microcontroller (6811) sub-system start with the boot sequence.

- The firmware (boot sequence) starts with checking whether the external ROM is available (read EX_ROM bit in the global registers). If it exists, load the EX_ROM data into internal RAM. Other wise, execute code in the internal ROM.
- Firmware execute the code according the context and interrupt to sequence the power.
- After the sequence is done, processor enter low power mode and wait for interrupts.

13.4 POWER ON RESET OUTPUT (POR_OUT)

The POR_OUT pin is an open drain GPIO output pin which controlled by firmware as part of the power up sequence. This signal is used to reset the devices in the system that are powered by P95020 device while the power is not yet ready. The output state of POR_OUT is defined by the power up sequence.

13.5 POWER SWITCH DETECTOR (SW_DET)

The PCON module also includes special power switch detection circuitry to provide a “push-on/push-off” interface via the switch detect (SW_DET) pin. By connecting a button to this pin, three different events can be triggered. The first is a short switch interrupt (>100ms) which is generated by momentarily pressing and releasing a button attached to SW_DET. The second is a medium switch interrupt which is generated by pressing and holding the button and releasing it after 2 seconds (configurable to 2/3/4/5 seconds). The status of each of these switches can be monitored in the Switch Control Register (0xA031). The third switch function is triggered when the button is pressed and held for longer than 15 seconds. This event will not generate an interrupt but will generate system reset and force P95020 into OFF state.

13.6 GPIO GENERAL DESCRIPTION

The GPIO pins are turned on and off using the GPIO Off Register. This register is used like a multiplexer to allow the GPIO and TSC/ADC subsystems to share external pins. When in GPIO mode (GPIO_OFF bits set to logic ‘0’) the GPIO Function Register configures the pin to operate as a GPIO or some other special function such as a status LED output. If not configured to perform a special function, each GPIO can be configured as an input or output by setting the corresponding bit in the GPIO Direction Register.

When configured as an output, each GPIO pin can be configured as a CMOS output or an open drain output by setting the corresponding bit in the GPIO Output Mode Register. Each GPIO pin configured as an output will reflect the value held in the GPIO Data Register with a logic ‘0’ causing the pin to be low and a logic ‘1’ causing the pin to be high. Reading from the GPIO Data Register will return the last value written to it.

When configured as an input, each GPIO can be configured as level or edge sensitive by setting the corresponding bit in the GPIO Input Mode Select Register. When set to level sensitive, the corresponding bit in the GPIO Data Register will follow the logic level of the GPIO pin. When set to edge sensitive the corresponding bit in the GPIO Data Register will change from a logic ‘0’ to a logic ‘1’ when the input transitions from low to high (rising edge) or high to low (falling edge) as determined by the setting in the GPIO Input Edge Select Register. The value in the GPIO Data Register will remain a logic ‘1’ until a logic ‘0’ is written into the register through host or I2C interface. In level sensitive mode, writing to the GPIO Data Register through host or I2C will have no effect.

When configured as an input, a GPIO may also generate an interrupt. Interrupts are always edge sensitive. The GPIO Input Edge Select Register is used to select which edge, rising or falling, is used to generate an interrupt. When an edge is detected, the GPIO Interrupt Status Register will show a logic ‘1’ in the corresponding bit and an interrupt will be generated provided the appropriate bit has been enabled by writing a logic ‘1’ to the GPIO Interrupt Enable Register. The GPIO Interrupt Status Register is cleared by writing a logic ‘1’ to the appropriate bit. Writing a logic ‘0’ will have no effect.

13.7 PCON REGISTERS

13.7.1 GPIO DIRECTION REGISTER

I²C Address = Page-0: 32 (0x20), μ C Address = 0xA020

I²C Address = Page-0: 33 (0x21), μ C Address = 0xA021

Bit	Bit Name	Def. Set.	User Type	Value	Description / Comments
0	RESERVED	0b	R/W		RESERVED
[10:1]	GPIO_DIR	0000000000b	R/W	0 = Input 1 = Output	Each bit sets the corresponding GPIO to either input or output
[15:11]	RESERVED		R/W		RESERVED

13.7.2 GPIO DATA REGISTER

I²C Address = Page-0: 34 (0x22), μ C Address = 0xA022

I²C Address = Page-0: 35 (0x23), μ C Address = 0xA023

Bit	Bit Name	Def. Set.	User Type	Value	Description / Comments
0	RESERVED	0b	R/W		RESERVED
[10:1]	GPIO_DAT	000000000b	R/W		Pins configured as an output will reflect the value held in the GPIO_DAT register. The GPIO_DAT register will follow the logic level at the pin for pins configured as a level sensitive inputs. The GPIO_DAT register will change from a 0 to a 1 when the input transitions state from low to high (rising edge) or high to low (falling edge) as determined by the GPIO INPUT EDGE SELECT register for pins configured as level sensitive inputs.
[15:11]	RESERVED		R/W		RESERVED

13.7.3 GPIO INPUT MODE SELECT REGISTER

I²C Address = Page-0: 36 (0x24), μ C Address = 0xA024

I²C Address = Page-0: 37 (0x25), μ C Address = 0xA025

Bit	Bit Name	Def. Set.	User Type	Value	Description / Comments
0	RESERVED	0b	R/W		RESERVED
[10:1]	GPIO_IN_MODE	000000000b	R/W	0 = Level sensitive 1 = Edge sensitive	0 = Level sensitive, GPIO_DAT reflects the input data for the corresponding GPIO; 1 = Edge sensitive, rising/falling edges trigger interrupts as defined in GPIO_IN_EDGE. Requires the associated bit in the GPIO Direction Register to be set as an input.
[15:11]	RESERVED		R/W		RESERVED

13.7.4 GPIO INTERRUPT ENABLE REGISTER

I²C Address = Page-0: 38 (0x26), μ C Address = 0xA026

I²C Address = Page-0: 39 (0x27), μ C Address = 0xA027

Bit	Bit Name	Def. Set.	User Type	Value	Description / Comments
0	RESERVED	0b	R/W		RESERVED
[10:1]	GPIO_INT_EN	000000000b	R/W	0 = Interrupt Disabled 1 = Interrupt Enabled	Each bit enabled/disables the corresponding GPIO interrupt
[15:11]	RESERVED		R/W		RESERVED

13.7.5 GPIO INPUT EDGE REGISTER

I²C Address = Page-0: 40 (0x28), μ C Address = 0xA028

I²C Address = Page-0: 41 (0x29), μ C Address = 0xA029

Bit	Bit Name	Def. Set.	User Type	Value	Description / Comments
0	RESERVED	0b	R/W		RESERVED
[10:1]	GPIO_IN_EDGE	111111111b	R/W	0 = Rising edge trigger 1 = Rising and falling edge trigger	0 = Rising edge generates interrupt. 1 = Rising edge and falling edge generates interrupt.
[15:11]	RESERVED		R/W		RESERVED

13.7.6 GPIO INTERRUPT STATUS REGISTER

I²C Address = Page-0: 42 (0x2A), μ C Address = 0xA02A

I²C Address = Page-0: 43 (0x2B), μ C Address = 0xA02B

Bit	Bit Name	Def. Set.	User Type	Value	Description / Comments
0	RESERVED	0b	R/W		RESERVED
[10:1]	GPIO_INT_STATUS	000000000b	RW1C	0 = No interrupt 1 = Interrupt	Event is defined by GPIO_IN_EDGE register
[15:11]	RESERVED		R/W		RESERVED

13.7.7 GPIO OUTPUT MODE REGISTER

I²C Address = Page-0: 44 (0x2C), μ C Address = 0xA02C

I²C Address = Page-0: 45 (0x2D), μ C Address = 0xA02D

Bit	Bit Name	Def. Set.	User Type	Value	Description / Comments
0	RESERVED	0b	R/W		RESERVED
[10:1]	GPIO_OUT_MODE	111111111b	R/W	0 = CMOS output 1 = Open drain output	Sets the output mode for each corresponding GPIO
[15:11]	RESERVED		R/W		RESERVED

13.7.8 GPIO OFF REGISTERI²C Address = Page-0: 46(0x2E), μ C Address = 0xA02EI²C Address = Page-0: 47(0x2F), μ C Address = 0xA02F

Bit	Bit Name	Def. Set.	User Type	Value	Description / Comments
0	RESERVED	0b	R/W		RESERVED
[10:1]	GPIO_OFF	1111100000b	R/W	0 = GPIO on 1 = GPIO off	Each bit shuts off the corresponding GPIO allowing the external pin to be used for the TSC or ADC functions.
[15:11]	RESERVED		R/W		RESERVED

13.7.9 GPIO FUNCTION REGISTERI²C Address = Page-0: 48(0x30), μ C Address = 0xA030

Bit	Bit Name	Def. Set.	User Type	Value	Description / Comments
0	RESERVED	1b	R/W		RESERVED
1	GPIO1_SWO_PD	1b	R/W	0 = Normal operation 1 = Switch detect output or PENDOWN	Sets GPIO1 to operate as a normal GPIO or as a switch detect or PENDOWN detect
2	GPIO2_LED1	1b	R/W	0 = Normal operation 1 = GPIO2 will be charger LED1	Sets GPIO2 to operate as a normal GPIO or as charger LED1
3	GPIO3_LED2	1b	R/W	0 = Normal operation 1 = GPIO3 will be charger LED2	Sets GPIO3 to operate as a normal GPIO or as charger LED2
4	GPIO4_CHRG_ILIM	1b	R/W	0 = Normal operation 1 = GPIO4 will be CHRG_ILIM	Sets GPIO4 to operate as a normal GPIO or as CHRG_ILIM
5	GPIO5_INT_OUT	1b	R/W	0 = Normal operation 1 = GPIO will be interrupt output	Sets GPIO5 to operate as a normal GPIO or as an interrupt output
6	GPIO1_PENDOWN	0b	R/W	0 = GPIO1 is switch detect output 1 = GPIO1 is PENDOWN	Sets GPIO1 as switch detect or PENDOWN detect when GPIO1_SWO_PD = 1
7	PENDOWN_POL	0b	R/W	0 = Active low 1 = Active high	Sets PENDOWN polarity

13.7.10 POWER STATE AND SWITCH CONTROL REGISTERI²C Address = Page-0: 49(0x31), μ C Address = 0xA031

Bit	Bit Name	Def. Set.	User Type	Value	Description / Comments
0	SW_DET_STATUS_0	0b	RW1C	0 = Switch inactive 1 = Switch active	Short switch detect
1	RESERVED	0b	RW		RESERVED
2	SW_DET_STATUS_2	0b	RW1C	0 = Switch inactive 1 = Switch active	Medium switch detect
3	RESERVED	0b	R/W		RESERVED
4	PSTATE_ON	0b	RW1C	0 = Off 1 = On	When PSTATE_ON = 0 the clock generator is powered off and only the 32 kHz clock will be available. When PSTATE_ON = 1 the clock generator is on.
[7:5]	RESERVED	000b	R/W		RESERVED

13.7.11 GPIO SWITCH INTERRUPT ENABLEI²C Address = Page-0: 50(0x32), μ C Address = 0xA032

Bit	Bit Name	Def. Set.	User Type	Value	Description / Comments
0	SSW_INT_EN	1b	R/W	0 = Interrupt disabled 1 = Interrupt enabled	Short switch interrupt enable
1	RESERVED	0b	R/W		RESERVED
2	MSW_INT_EN	1b	R/W	0 = Interrupt disabled 1 = Interrupt enabled	Medium switch interrupt enable
3	RESERVED	0b	R/W		RESERVED
4	RST_OVER_TEMP	0b	R/W	0 = System reset disabled 1 = System reset enabled	Enable system reset at temperature above 155°C

5	RST_UNDER_VOL	0b	R/W	0 = System reset disabled 1 = System reset enabled	Enable system reset at low system voltage ($V_{SYS} < 3.0V$)
6	RST_DC2DC_UVLO	0b	R/W	0 = System reset disabled 1 = System reset enabled	Enable system reset when DC2DC module detects UVLO condition
7	RESERVED	0b	R/W		RESERVED

13.7.12 DCDC INTERRUPT ENABLE

I²C Address = Page-0: 51(0x33), μ C Address = 0xA033

Bit	Bit Name	Def. Set.	User Type	Value	Description / Comments
0	BUCK_500_0_FAULT_INT_EN	0b	R/W	0 = Interrupt disabled 1 = Interrupt enabled	BUCK_500_0 fault interrupt enable
1	BUCK_500_1_FAULT_INT_EN	0b	R/W	0 = Interrupt disabled 1 = Interrupt enabled	BUCK_500_1 fault interrupt enable
2	BUCK_1000_FAULT_INT_EN	0b	R/W	0 = Interrupt disabled 1 = Interrupt enabled	BUCK_1000 fault interrupt enable
3	BST5_FAULT_INT_EN	0b	R/W	0 = Interrupt disabled 1 = Interrupt enabled	BOOST5 fault interrupt enable
4	BST40_FAULT_INT_EN	0b	R/W	0 = Interrupt disabled 1 = Interrupt enabled	BOOST40 fault interrupt enable
5	CLSD_FAULT_INT_EN	0b	R/W	0 = Interrupt disabled 1 = Interrupt enabled	CLASSD fault interrupt enable
[7:6]	RESERVED	00b	R/W		RESERVED

13.7.13 POWER ON RESET STATE CONTROL REGISTER

I²C Address = Page-0: 60(0x3C), μ C Address = 0xA03C

Bit	Bit Name	Def. Set.	User Type	Value	Description / Comments
0	POR_OUT	0b	R/W	0 = 0 1 = Hi-Z	POR_OUT pin state control. POR_OUT pin should be pulled high by an external resistor
[7:2]	RESERVED	0000000b	R/W		RESERVED

13.7.14 MID-BUTTON CONFIGURATION REGISTER

I²C Address = Page-0: 62(0x3E), μ C Address = 0xA03E

Bit	Bit Name	Def. Set.	User Type	Value	Description / Comments
[1:0]	MID_BTN_CFG	00b	R/W	00 = 2 sec. 01 = 3 sec. 10 = 4 sec. 11 = 5 sec.	Mid-button push duration configuration.
[7:2]	RESERVED	0000000b	R/W		RESERVED

13.7.15 OTHER PCON REGISTERS

I²C Address = Page-0: 52(0x34), μ C Address = 0xA034 (See Section 4.7)

I²C Address = Page-0: 53(0x35), μ C Address = 0xA035 (See Section 4.7)

I²C Address = Page-0: 54(0x36), μ C Address = 0xA036 (See Section 14.4)

I²C Address = Page-0: 55(0x37), μ C Address = 0xA037 (See Section 2.9)

I²C Address = Page-0: 56(0x38), μ C Address = 0xA038 (See Section 2.15.2)

I²C Address = Page-0: 39(0x39), μ C Address = 0xA039 (See Section 12.4.1)

I²C Address = Page-0: 58(0x3A), μ C Address = 0xA03A (See Section 6.2.1)

I²C Address = Page-0: 61(0x3D), μ C Address = 0xA03D (See Section 4.7)

13.7.16 GPIO RESERVED REGISTERS

These registers are reserved. Do not write to them.

I²C Address = Page-0: 59 (0x3B), μ C Address = 0xA03B,

I²C Address = Page-0: 63 (0x3F), μ C Address = 0xA03F

Thru Page-0: 63 (0x3F), μ C Address = 0xA03F

14.0 HOTSWAP MODULE

FEATURES

- Controlled via external pin or internal registers
- Current Output 150mA maximum.
- Overcurrent / Short Circuit Protection

DESCRIPTION

The HOTSWAP module is intended to provide an output voltage that tracks the input voltage with minimal DC losses (up to 150mA max.). The primary purpose for these outputs is to provide short circuit protection to peripheral devices such as SD cards when connected to the host device. The input supply to the switches is shared though each switch has an independent, active high, control input.

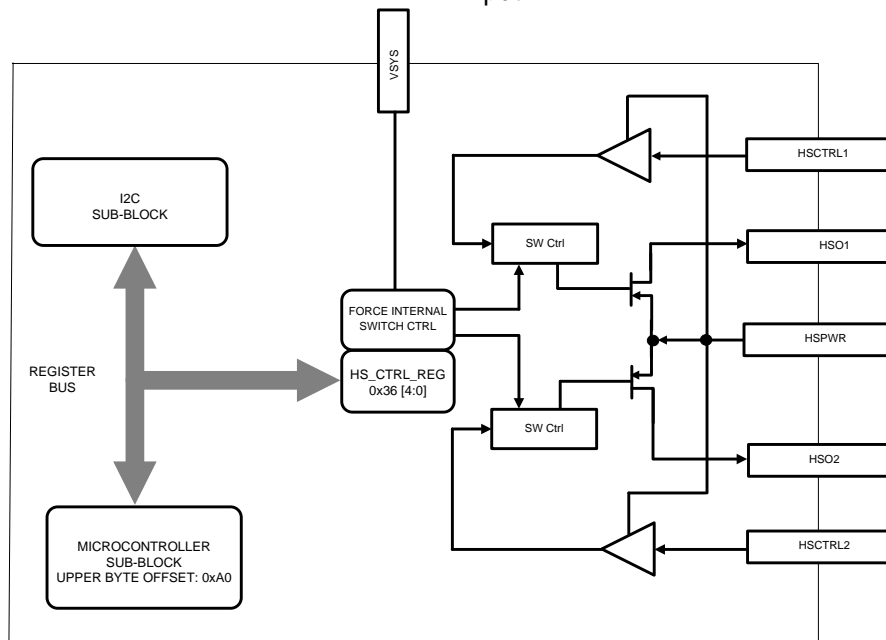


Figure 29 – Hotswap Block Diagram

14.1 HOT SWAP (LOAD SWITCHES) – ELECTRICAL CHARACTERISTICS

Unless otherwise specified, typical values at $T_A = 25^\circ\text{C}$, $V_{SYS} = 3.8\text{V}$, $V_{HSPWR} = 4.5\text{V}$, $T_A = -40^\circ\text{C}$ to $+85^\circ\text{C}$,

SYMBOL	PARAMETER	CONDITIONS	MIN	TYP	MAX	UNIT
VHSPWR	Input voltage Range	Mosfet Inputs	3.0	3.3	5.5	V
$I_{Q(SW-ON)}$	Quiescent Current from HSPWR	$V_{SYS} = 4.5\text{V}$, $HSPWR = 3.3\text{V}$, $I_{OUT} = 0$ HS_CTRL_REG 0x36 [3:0] = 1 = ON			24	μA
$I_{Q(SW-OFF)}$	Off-Supply Current from HSPWR	$V_{SYS} = 4.5\text{V}$, $HSPWR = 3.3\text{V}$, HSCTRL1, HSCTRL2 = GND HS_CTRL_REG 0x36 [3:0] = 0 = OFF			1	μA
$R_{DS(ON)}$	On Resistance	$V_{HSPWR} = 3.0\text{V to } 5.0\text{V}$		1.2	1.6	Ω
$I_{LIM(MIN)}$	Current Limit	$V_{HSPWR} = 3.0\text{V to } 5.0\text{V}$		180	250	mA
t_{RESP}	Current Limit Response Time			10		μs
V_{IL}	HSCTRL1, HSCTRL2, Input Low Voltage	$V_{HSPWR} = 3\text{V to } 4.5\text{V}$			$0.3 \times V_{HSPWR}$	V
V_{IH}	HSCTRL1, HSCTRL2, Input High Voltage	$V_{HSPWR} = 3\text{V to } 4.5\text{V}$	$0.7 \times V_{HSPWR}$		$V_{HSPWR} + 0.3$	V
I_{OSINK}	HSCTRL1, HSCTRL2 Leakage				1	μA
t_{OFF}	Turn-Off Time	$V_{HSPWR} = 5\text{V}$ Note 1			1	μs
t_{ON}	Turn-On Time	$V_{HSPWR} = 5\text{V}$ Note 1			15	μs

Notes:

- Guaranteed by design and/or characterization.

14.2 HOTSWAP – TYPICAL PERFORMANCE CHARACTERISTICS

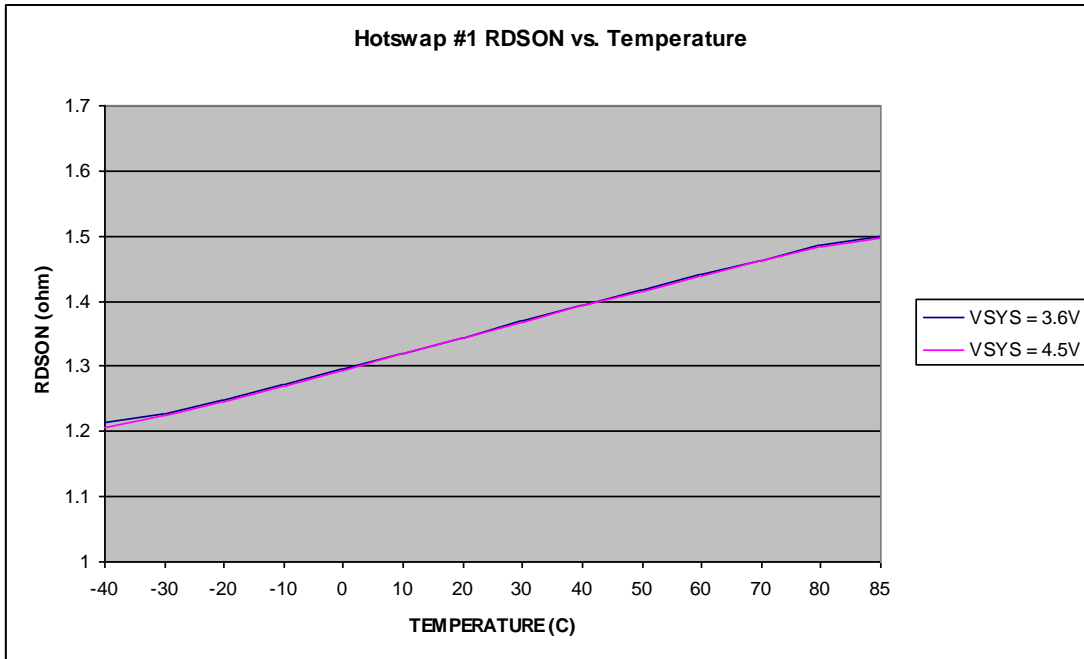


Figure 30 – Hotswap #1 ON Resistance vs Temperature

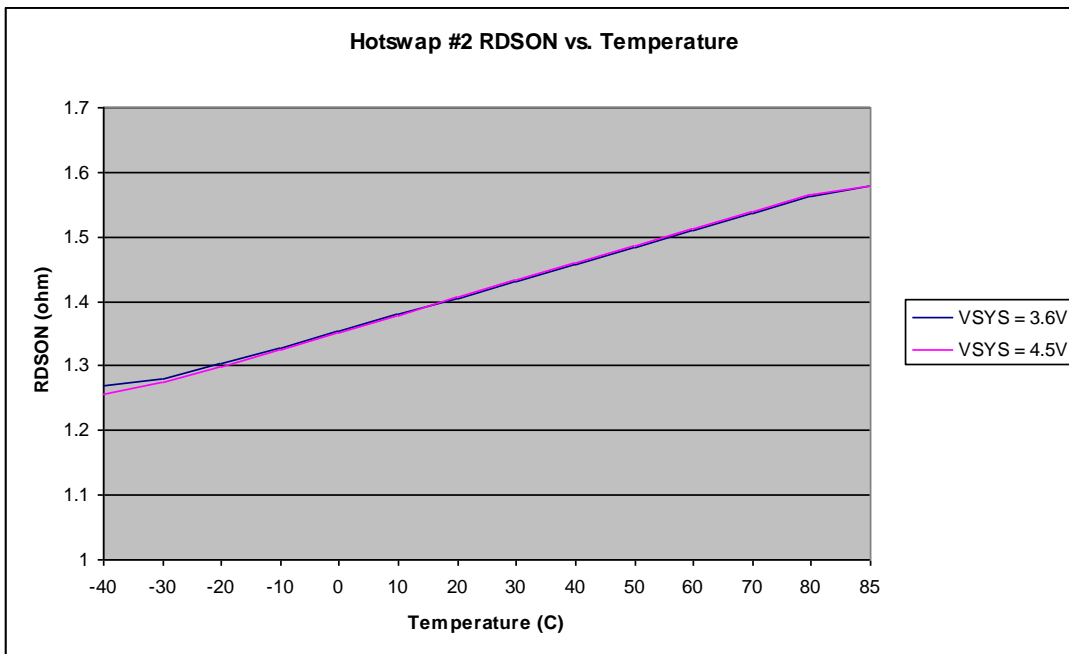


Figure 31 – Hotswap #2 ON Resistance vs Temperature

14.3 HOTSWAP – PIN DEFINITIONS

PIN #	PIN_ID	DESCRIPTION
097	HSCTRL1	Hot Swap Control Input 1
098	HSO1	Hot Swap Output 1
099	HSPWR	Hot Swap Switches Power Input
100	HSO2	Hot Swap Output 2
101	HSCTRL2	Hot Swap Control Input 2

14.4 PCON REGISTER - HOTSWAP CONFIGURATION

I²C Address = Page-0: 54(0x36), μ C Address = 0xA036

Bit	Bit Name	Def. Set.	User Type	Value	Description / Comments
0	FORCE_SW2_ON	0b	RW	0 = SW2 OFF 1 = SW2 ON	Force SW2 On
1	FORCE_SW1_ON	0b	RW	0 = SW1 OFF 1 = SW1 ON	Force SW1 On
2	FORCE_SW2_EN	0b	RW	0 = NORMAL SW2 1 = FORCE SW2	Force SW2 Enable
3	FORCE_SW1_EN	0b	RW	0 = NORMAL SW1 1 = FORCE SW1	Force SW1 Enable
4	CTRL_INV	0b	RW	0 = HSCTRL1 (1 turns on the switch) 1 = HSCTRL1 (0 turns on the switch)	Inverts Hotswap Control Pin Polarity
[7:5]	RESERVED	000b	RW		RESERVED

Notes:

To enable HOTSWAP Switch 1, first program FORCE_SW1_ON to 1 then enable the switch by programming FORCE_SW1_EN to 1 or by forcing the HSCTRL1 to high (for CTRL_INV = 0).

15.0 I2C_I2S MODULE

FEATURES

- I²C Master supports interface to external ROM
- I²C Slave supports interface to external I²C Masters
- 400 kHz fast I2C protocol
- Two I²S interfaces
- Access arbiter that arbitrates the access request from I2C slave or embedded microcontroller
- Interrupt handler which merge or re-direct the interrupts from functional module to internal or external processor

DESCRIPTION

The P95020's I²C master port is intended for I²C ROM access only. The contents of an external ROM that are attached to the I²C Master port are automatically read into an internal 1.5 kbyte shadow memory. The I²C Master port conforms to the 400 kHz fast I²C bus protocol and supports 7-bit device/page addressing.

The P95020's I²C Slave port follows I2C bus protocol during register reads or writes that are initiated by an external I²C Master (typically an application processor). The I²C Slave port operates at up to 400 kHz and supports 7-bit device/page addressing.

The P95020 includes two I²S interfaces that provide audio inputs to the Audio Module described in Section 2.0.

15.1 I2C_I2S - PIN DEFINITIONS

Pin #	PIN_ID	DESCRIPTION
054	EX_ROM	ROM Select. EX_ROM = 1, read contents of external ROM into internal shadow memory. EX_ROM = 0, read contents of internal ROM.
055	DGND	Digital Ground (1)
056	I2S_BCLK2	I ² S Bit Clock Channel 2
057	I2S_WS2	I ² S Word Select Channel 2
058	I2S_SDOOUT2	I ² S Serial Data OUT Channel 2
059	I2S_SDIN2	I ² S Serial Data IN Channel 2
060	I2S_BCLK1	I ² S Bit Clock Channel 1
061	I2S_WS1	I ² S Word Select (Left/Right) Channel 1
062	I2S_SDOOUT1	I ² S Serial Data OUT Channel 1
063	I2S_SDIN1	I ² S Serial Data IN Channel 1
064	I2CS_SCL	I ² C Slave clock
065	I2CS_SDA	I ² C Slave data
066	I2CM_SCL	I ² C Master clock
067	I2CM_SDA	I ² C Master data
068	GND	GND : Ground

15.2 I²C SLAVE

15.2.1 I²C Slave - Address and Timing Mode

The I²C ports on the P95020 operate at a maximum speed of 400 kHz. The I²C slave address that the P95020 responds to is defined in the I2C_SLAVE_ADDR global register. The default I²C device address after reset is 0101010, and can be changed by firmware during the start up sequence.

The I²C slave supports two interface timing modes: Non-Stretching and Stretching.

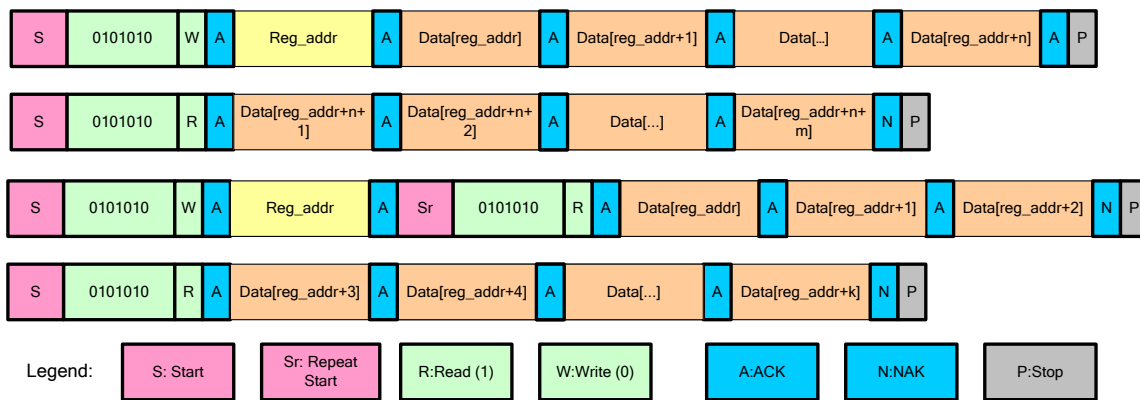
In Non-Stretching Mode, the I²C slave does not stretch the input clock signal. The registers are pre-fetched to speed up the read access in order to meet the 400 kHz speed. This is the default mode of operation and is intended for use with I²C masters that do not supporting clock stretching.

In Stretching Mode, the I²C slave may stretch the clock signal (hold I2CS_SCL low) during the ACK / NAK phase (byte level stretching) when the internal read access request is not finished. Stretching is not supported during write accesses.

15.2.2 I²C Slave - Write/Read Operation

The configuration and status registers for the various functional blocks are mapped to 3 consecutive 256 byte pages. The page ID is encoded to 0, 1, and 2. The definition and mapping is defined in [Table 3 – Register Address Global Mapping](#) on page 20. The first 16 bytes in any of the 3 pages map to the same set of global registers. The “current active page” ID for I²C access is defined in the global page ID register.

The I²C uses an 8-bit register address (Reg_addr in below) to define the register access start address in an I²C access in the current page. The register address can be programmed by writing the register value immediately after device address. Subsequent write accesses will be directed to the register defined by the register address in the current active page. Read accesses will return the register defined by the register address. The register address is incremented automatically byte-per-byte during each read/write access.

Figure 32 – I²C Read / Write Operation

15.3 INTERRUPT DISPATCHER

The interrupt dispatcher of the P95020 directs interrupts to the internal or external processor according to the INT_DIR configuration stored in the ACCM Register. Please note that the configuration register is in the same address space of other functional modules and hence can be accessed by internal and external processor. Interrupts mapped to the internal processor are merged and dispatched to embedded microcontroller. Interrupts mapped to the external processor are merged and dispatched to the external pin (INT_OUT). To ease the interrupt indexing of the external processor, two interrupt index registers (one for internal and the other for external) are defined to reflect the status of different types of interrupt status bits. Please note that the index register is just reflects the interrupt status of the various modules and there are no real registers implemented. Therefore, clearing a particular interrupt status must be performed in the module which generated the interrupt.

15.4 ACCESS ARBITER

Access request from I²C slave and embedded processor will be arbitrated with strict high priority to I²C. The access is split to byte-perbyte basis.

15.5 DIGITAL AUDIO DATA SERIAL INTERFACE

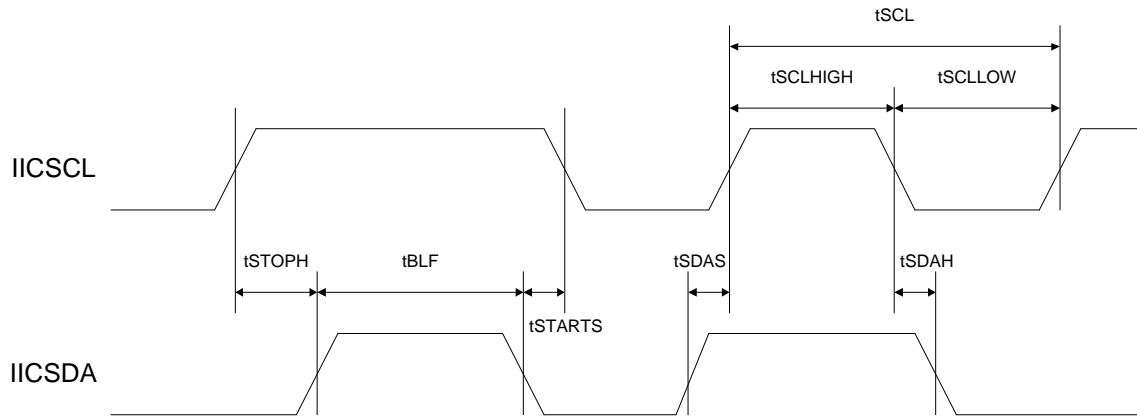
Audio data is transferred between the host processor and the P95020 via the digital audio data serial interface, or audio bus. The audio bus on this device is flexible, including left or right justified data options, support for I²S protocols, programmable data length options.

The audio bus of P95020 can be configured for left or right justified, I²S slave modes of operation. These modes are all MSB-first, with data width programmable as 16, 20, 24 bits.

The world clock (I2S_WS1 or I2S_WS2) is used to define the beginning of a frame. The frequency of this clock corresponds to the maximum of the selected ADC and DAC sampling frequency. The bit clock (I2S_BCLK1 or I2S_BCLK2) is used to clock in and out the digital audio data across the serial bus. Each port may be programmed for 8 kHz, 11.025 kHz, 12 kHz, 16 kHz, 22.050 kHz, 24 kHz, 44.1 kHz, 48 kHz, 88.2 kHz or 96 kHz sample rate.

15.6 I2C_I2S – INTERFACE TIMING

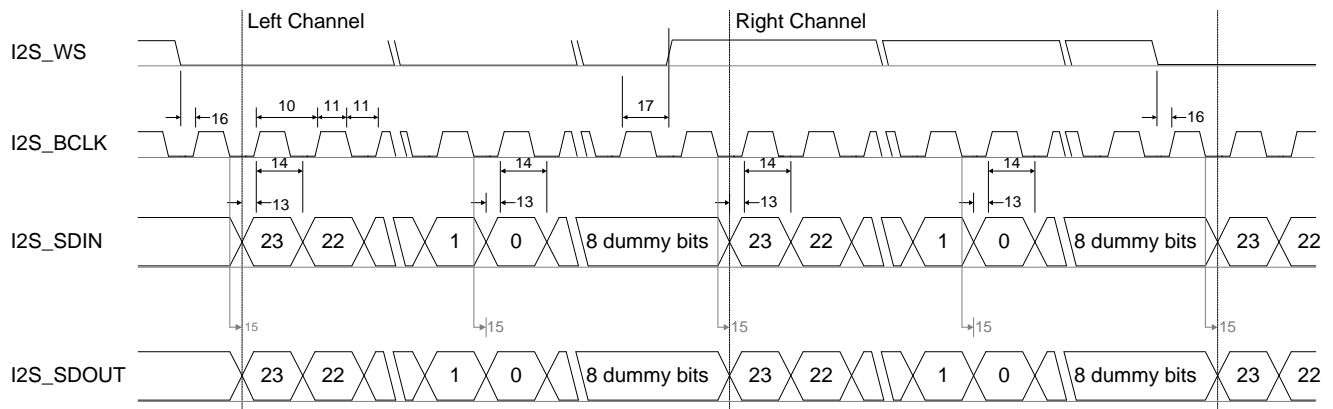
15.6.1 I2C Interface Timing



Parameter	Symbol	Min.	Typ.	Max.	Unit
SCL Clock Frequency	t_{SCL}	-	-	Std. 100 Fast 400	kHz
SCL High Level Pulse Width	$t_{SCLHIGH}$	Std. 4.0 Fast 0.6	-	-	μs
SCL Low Level Pulse Width	t_{SCLLOW}	Std. 4.7 Fast 1.3	-	-	μs
Bus Free Time Between STOP and START	t_{BUF}	Std. 4.7 Fast 1.3	-	-	μs
START Hold Time	t_{STARTS}	Std. 4.0 Fast 0.6	-	-	μs
SDA Hold Time	t_{SDAH}	Std. 0 Fast 0	-	3.45 0.9	μs
SDA setup time	t_{SDAS}	Std. 250 Fast 100	-	-	ns
STOP Setup Time	t_{STOPH}	Std. 4.0 Fast 0.6	-	-	μs

Table 28 – I2C Interface Timing

15.6.2 I2S Interface Timing – I2S Slave Mode



Parameter	Notation	Symbol	Min.	Typ.	Max.	Unit
I2S_BCLK Cycle Time	10	tCYC	1/64 x Fs	-	-	ns
I2S_BCLK Pulse Width High	11	tCH	0.45 x P	-	0.55 x P	ns
I2S_BCLK Pulse Width Low	11	tCL	0.45 x P	-	0.55 x P	ns
I2S_WS Set-up Time To I2S_BCLK High	16	tWS	10	-	-	ns
I2S_WS Hold Time to I2S_BCLK High	17	tWH	10	-	-	ns
I2S_SDIN Set-up Time to I2S_BCLK High	13	tDS	10	-	-	ns
I2S_SDIN Hold Time to I2S_BCLK High	14	tDH	10	-	-	ns
I2S_SDOOUT Delay Time from I2S_BCLK Falling Edge	15	tDD	-	-	10	ns

Table 29 – I2S Interface Timing

Notes: Fs = 8 to 96 kHz, P = I2S_BCLK period

15.7 GLOBAL REGISTER SETTINGS (I²C-page 0)

Global Registers are used by the Access Manager, which includes an I²C Slave and Bus Arbiter. For easy access from the I²C slave interface (by default 256 Bytes oriented) the first 16 registers of each page are global for all the pages (Page 0 thru Page 3). The Base addresses are defined in [Table 3 – Register Address Global Mapping](#) on page 20.

15.7.1 Global Register – RESET_ID

I²C Address = Page-x: 00(0x00), μ C Address = 0xA000

Bit	Bit Name	Def. Set.	User Type	Value	Description / Comments
[6:0]	ID	1010101b	R		Chip ID
7	RESET	0b	RW1A	0 = Normal 1 = System Reset	Master Reset. Write "1" to this register to trigger a system reset. System reset will reset P95020 device into OFF state.

15.7.2 Global Register – PAGE_ID

I²C Address = Page-x: 01(0x01), μ C Address = 0xA001

Bit	Bit Name	Def. Set.	User Type	Value	Description / Comments
[1:0]	PAGE	00b	RW		Page ID
[7:2]	RESERVED	000000b	RW		RESERVED

15.7.3 Global Register – DCDC_FAULT

I²C Address = Page-x: 02(0x02), μ C Address = 0xA002

Bit	Bit Name	Def. Set.	User Type	Value	Description / Comments
0	BUCK500_0_FAULT	0b	R	0 = Normal 1 = Fault	Fault in 500 mA Buck Converter #0
1	BUCK500_1_FAULT	0b	R	0 = Normal 1 = Fault	Fault in 500 mA Buck Converter # 1
2	BUCK1000_FAULT	0b	R	0 = Normal 1 = Fault	Fault in 1000 mA Buck Converter
3	BOOST5_FAULT	0b	R	0 = Normal 1 = Fault	Fault in BOOST5 Converter
[7:4]	RESERVED	0h	RW		RESERVED

15.7.4 Global Register – LDO_FAULT

I²C Address = Page-x: 03(0x03), μ C Address = 0xA003

Bit	Bit Name	Def. Set.	User Type	Value	Description / Comments
0	LDO_050_0_FAULT	0b	R	0 = Normal 1 = Fault	Fault in LDO_050_0
1	LDO_050_1_FAULT	0b	R	0 = Normal 1 = Fault	Fault in LDO_050_1
2	LDO_050_2_FAULT	0b	R	0 = Normal 1 = Fault	Fault in LDO_050_2
3	LDO_050_3_FAULT	0b	R	0 = Normal 1 = Fault	Fault in LDO_050_3
4	LDO_150_0_FAULT	0b	R	0 = Normal 1 = Fault	Fault in LDO_150_0
5	LDO_150_1_FAULT	0b	R	0 = Normal 1 = Fault	Fault in LDO_150_1
6	LDO_150_2_FAULT	0b	R	0 = Normal 1 = Fault	Fault in LDO_150_2
7	LDO_LP_FAULT	0b	R	0 = Normal 1 = Fault	Fault in LDO_LP

15.7.5 Global Register – LDO_GLOBAL_ENI²C Address = Page-x: 04(0x04), μ C Address = 0xA004

Bit	Bit Name	Def. Set.	User Type	Value	Description / Comments
0	LDO_050_0_ENABLE	0b	RW	0 = Disabled 1 = Enabled	Enable LDO_050_0
1	LDO_050_1_ENABLE	0b	RW	0 = Disabled 1 = Enabled	Enable LDO_050_1
2	LDO_050_2_ENABLE	0b	RW	0 = Disabled 1 = Enabled	Enable LDO_050_2
3	LDO_050_3_ENABLE	0b	RW	0 = Disabled 1 = Enabled	Enable LDO_050_3
4	LDO_150_0_ENABLE	0b	RW	0 = Disabled 1 = Enabled	Enable LDO_150_0
5	LDO_150_1_ENABLE	0b	RW	0 = Disabled 1 = Enabled	Enable LDO_150_1
6	LDO_150_2_ENABLE	0b	RW	0 = Disabled 1 = Enabled	Enable LDO_150_2
7	RESERVED	0b	RW		RESERVED

15.7.6 Global Register – DCDC_GLOBAL_ENI²C Address = Page-x: 05(0x05), μ C Address = 0xA005

Bit	Bit Name	Def. Set.	User Type	Value	Description / Comments
0	BUCK500_0_ENABLE	0b	RW	0 = Disabled 1 = Enabled	Enable BUCK500_0 Converter
1	BUCK500_1_ENABLE	0b	RW	0 = Disabled 1 = Enabled	Enable BUCK500_1 Converter
2	BUCK1000_ENABLE	0b	RW	0 = Disabled 1 = Enabled	Enable BUCK1000 Converter
3	BOOST5_ENABLE	0b	RW	0 = Disabled 1 = Enabled	Enable BOOST5 Converter
4	LED_BOOST_ENABLE	0b	RW	0 = Disabled 1 = Enabled	Enable LED_BOOST Converter
[6:5]	RESERVED	00b	RW		RESERVED
7	CLASS_D_ENABLE	0b	RW	0 = Disabled 1 = Enabled	Enable Class D BTL Power Stage

15.7.7 Global Register – EXT_INT_STATUS INDEXI²C Address = Page-x: 06(0x06), μ C Address = 0xA006I²C Address = Page-x: 07(0x07), μ C Address = 0xA007I²C Address = Page-x: 08(0x08), μ C Address = 0xA008I²C Address = Page-x: 09(0x09), μ C Address = 0xA009

Bit	Bit Name	Def. Set.	User Type	Value	Description / Comments
[31:0]	EXT_INT_STATUS	00000000h	R	Please refer to below.	External interrupt status index. Note that the actual interrupt status bit is implemented in the individual functional modules.

15.7.8 Global Register – INT_INT_STATUS INDEXI²C Address = Page-x: 10(0x0A), μ C Address = 0xA00AI²C Address = Page-x: 11(0x0B), μ C Address = 0xA00BI²C Address = Page-x: 12(0x0C), μ C Address = 0xA00CI²C Address = Page-x: 13(0x0D), μ C Address = 0xA00D

Bit	Bit Name	Def. Set.	User Type	Value	Description / Comments
[31:0]	INT_INT_STATUS	00000000h	R	Please refer to below.	Internal interrupt status index. Note that the actual interrupt status bit is implemented in the individual functional modules.

The following table lists the bit mapping for interrupt direction control and internal / external processor interrupt status index register.

Table 30 - Interrupt Source Mapping

Byte ID	Bit Field	Mapping
0	0	RESERVED
	1	GPIO1 (Pin 121)
	2	GPIO2 (Pin 122)
	3	GPIO3 (Pin 123)
	4	GPIO4 (Pin 124)
	5	GPIO5 (Pin 001)
	6	GPIO6 (Pin 002)
	7	GPIO7 (Pin 003)
1	0	GPIO8 (Pin 004)
	1	GPIO9 (Pin 005)
	2	GPIO10 (Pin 006)
	3	RESERVED
	4	Short_SW
	5	RESERVED
	6	Mid_SW
	7	"Both" flag, only meaningful for interrupt direction control. If this bit is set, interrupts will be dispatched to both internal and external processors.
2	0	WatchDog (Time-out)
	1	GPTimer (Time-out)
	2	RTC_Alarm1 (Time-out)
	3	RTC_Alarm2 (Time-out)
	4	LDO Fault - A '1' indicates that one of the LDOs (Register 0xAx03, at least one of bits [7:0]) has faulted.
	5	DCDC Fault - A '1' indicates that one of the DC to DC Converters (Register 0xAx02, at least one of bits [3:0]) has faulted.
	6	Charger (Adapter in/charging state change)
	7	ClassD Fault - The CLASS_D BTL Power Output has faulted. (Registers 0xA08B & 0xA08D, bit 4 must be set in both regs.)
3	0	Touch screen Pendown
	1	Die temperature high (High temperature defined in A0E4h/A0E3h)
	2	Battery voltage low
	3	V _{sys} voltage low
	4	ADC other interrupt except temperature high, battery low and V _{sys} low
	5	Battery voltage extremely low (3.0V)
	6	Die temperature extremely high (>155°C)
	7	RESERVED

15.7.9 Global Register – I2C_SLAVE_ADDR

I²C Address = Page-x: 14 (0x0E), μ C Address = 0xA00E

Bit	Bit Name	Def. Set.	User Type	Value	Description / Comments
0	RESERVED	0b	RW		RESERVED
[7:1]	I ² C_SLAVE_ADDR	0101010b (2Ah)	RW		I ² C slave address (Default = 0b0101010)

15.7.10 Global Register – I2C_CLOCK_STRETCH

I²C Address = Page-x: 15 (0x0F), μ C Address = 0xA00F

Bit	Bit Name	Def. Set.	User Type	Value	Description / Comments
0	STRETCH_EN	0b	RW	0 = Disabled 1 = Enabled	I ² C interface stretch function enable
1	CLK_GATE_EN	0b	RW	0 = Disabled 1 = Enabled	I ² C interface clock-gating (for low power) function enable
[7:2]	RESERVED	000000b	RW		RESERVED

15.8 ACCM REGISTERS

INT_DIR CONFIGURATION: I²C Address = Page-0: 16(0x10), μ C Address = 0xA010

I²C Address = Page-0: 17(0x11), μ C Address = 0xA011

I²C Address = Page-0: 18(0x12), μ C Address = 0xA012

I²C Address = Page-0: 19(0x13), μ C Address = 0xA013

Bit	Bit Name	Def. Set.	User Type	Value	Description / Comments
[31:0]	INT_DIR	FFFF77FFh	RW	Please refer to above.	Interrupt direction ("1" map to internal processor).

EXT_INT_DATA_IN: I²C Address = Page-0: 20(0x14), μ C Address = 0xA014

Bit	Bit Name	Def. Set.	User Type	Value	Description / Comments
[7:0]	EXT_INT_DATA	00h	RW		External processor generated interrupt associated data. External processor write to this register will set EXT_INT_STATUS bit.

EXT_INT_STATUS_IN: I²C Address = Page-0: 21(0x15), μ C Address = 0xA015

Bit	Bit Name	Def. Set.	User Type	Value	Description / Comments
0	EXT_INT_STATUS	0b	RW1C	0 = Normal operation 1 = Interrupt	External processor interrupt status
[7:1]	RESERVED	0000000b	RW		RESERVED

INT_INT_DATA_IN: I²C Address = Page-0: 22(0x16), μ C Address = 0xA016

Bit	Bit Name	Def. Set.	User Type	Value	Description / Comments
[7:0]	INT_INT_DATA	00h	RW		Internal processor generated interrupt associated data. Internal processor write to this register will set INT_INT_STATUS bit

INT_INT_STATUS_IN: I²C Address = Page-0: 23(0x17), μ C Address = 0xA017

Bit	Bit Name	Def. Set.	User Type	Value	Description / Comments
0	INT_INT_STATUS	0b	RW1C	0 = Normal operation 1 = Interrupt	Internal processor interrupt status
[7:1]	RESERVED	00h	RW		RESERVED

UP_CONTEXT: I²C Address = Page-0: 24(0x18), μ C Address = 0xA018

I²C Address = Page-0: 25(0x19), μ C Address = 0xA019

Bit	Bit Name	Def. Set.	User Type	Value	Description / Comments
[15:0]	UP_CONTEXT	0000h	RW		Reserved for Processor context

DATA_BUF: I²C Address = Page-0: 26(0x1A), μ C Address = 0xA01A

I²C Address = Page-0: 27(0x1B), μ C Address = 0xA01B

I²C Address = Page-0: 28(0x1C), μ C Address = 0xA01C

I²C Address = Page-0: 29(0x1D), μ C Address = 0xA01D

Bit	Bit Name	Def. Set.	User Type	Value	Description / Comments
[31:0]	DAT_BUF	00000000h	RW		Can be read or write by internal or external processor, this register is for interprocessor communication.

CHIP_OPTIONS: I²C Address = Page-0: 30(0x1E), μ C Address = 0xA01E

Bit	Bit Name	Def. Set.	User Type	Value	Description / Comments
[1:0]	RESERVED	00b	R		RESERVED
[3:2]	RESERVED	00b	R		RESERVED
4	EX_ROM	0b	R		EX_ROM pin value
5	RESERVED	0b	R		RESERVED
[7:6]	CHIP_OPT	00b	R		Chip metal option (metal changeable bit in metal fixed version)

DEV_REV: I²C Address = Page-0: 31(0x1F), μ C Address = 0xA01F

Bit	Bit Name	Def. Set.	User Type	Value	Description / Comments
[7:0]	DEV_REV	00h	R		Device revision

16.0 LDO MODULE

FEATURES

- Four external use LDOs with current output up to 50mA
 - ◆ Initialization and power sequencing controlled by an external CPU or the Embedded Microcontroller
 - ◆ Output voltage adjustable in 25mV steps from 0.75V to 3.7V
 - ◆ Programmable Overcurrent / Short Circuit Protection
- Three external use LDOs with current output up to 150mA
 - ◆ Initialization and power sequencing controlled by an external CPU or the Embedded Microcontroller
 - ◆ Output voltage adjustable in 25mV steps from 0.75V to 3.7V
 - ◆ Programmable Overcurrent / Short Circuit Protection
- One user-selectable (3.0V or 3.3V), always-on low-power LDO
 - ◆ 10mA maximum output current
 - ◆ Programmable Over Current / Short Circuit Protection

DESCRIPTION

The P95020 includes two types of LDOs for external use: normal LDOs (NMLDO) and one low-power, always on LDO (LPLDO). There are seven NMLDOs which are powered by external power inputs. The LPLDO is powered by VSYS. All of the external use LDOs share a common ground pin.

The P95020 also includes LDOs which are used by other functional blocks within the device. The LDOs used by the Audio module (LDO_AUDIO_18 and LDO_AUDIO_33) are powered by a dedicated power input. The remaining internal-use LDOs are powered by VSYS.

The power-up of each LDO is controlled by a built-in current-limiter. After each LDO is enabled, its current-limiter will be turned-on (~100-200 μ s) and then the LDO will ramp up to the configured current-limit setting.

The global enable control and each local enable control (defined in each local LDO register) are AND-ed together to enable each specific LDO.

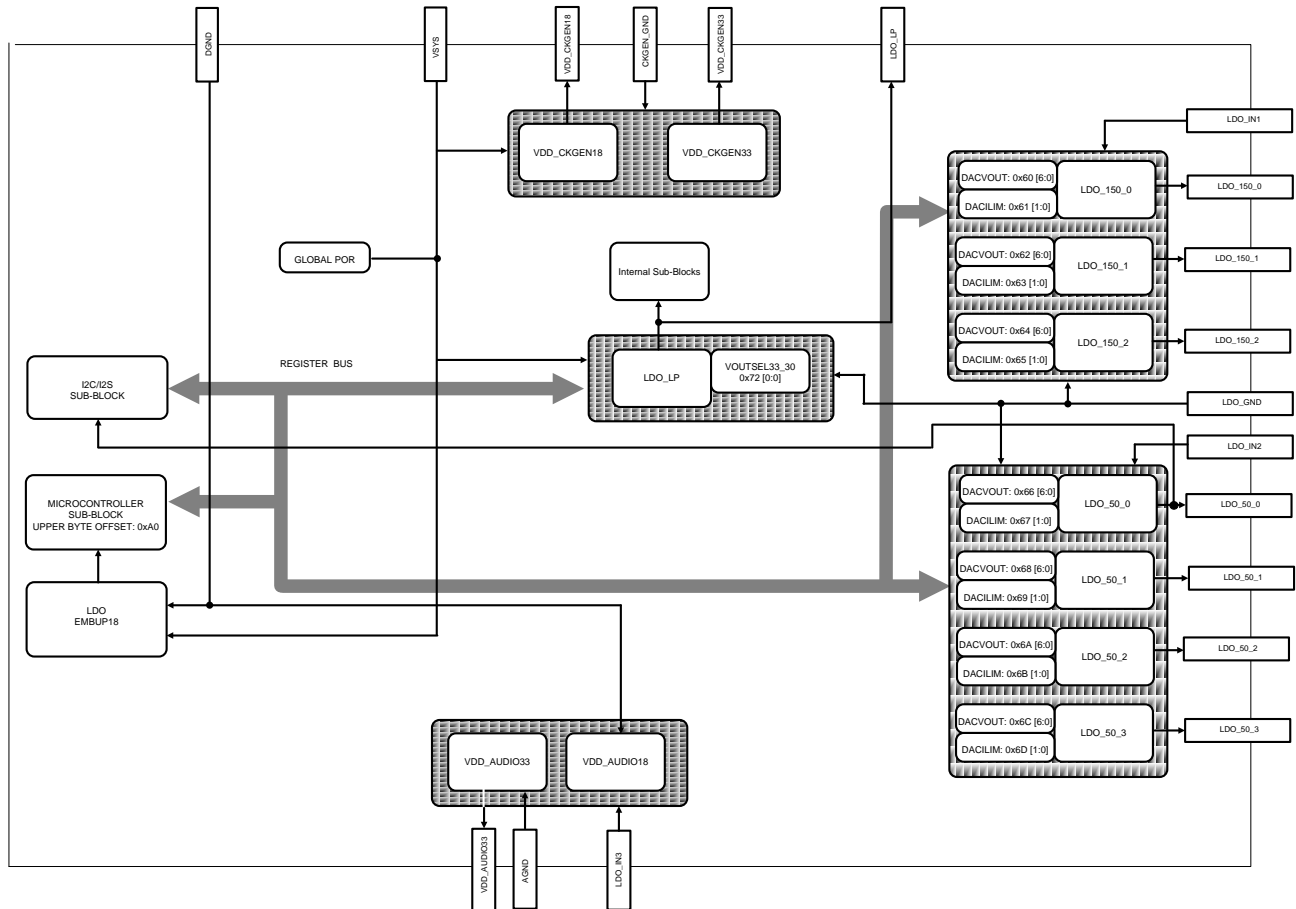


Figure 33 – LDO_050 / LDO_150 Block Diagram

16.1 LDO - PIN DEFINITIONS

PIN #	PIN_ID	DESCRIPTION
023	VDD_AUDIO33	Filter capacitor for internal 3.3V audio LDO. Do not draw power from this pin.
029	LDO_GND	Common GROUND for all LDOs.
030	LDO_IN3	Input Voltage to AUDIO LDOs (VDD_AUDIO33 & VDD_AUDIO18)
031	LDO_LP	Always-On Low Power LDO for RTC.
032	LDO_050_3	50 mA LDO Output #3
033	LDO_IN2	Input Voltage to LDO_050_3, LDO_050_2, LDO_050_1 and LDO_050_0.
034	LDO_050_2	50 mA LDO Output #2
035	LDO_050_1	50 mA LDO Output #1
036	LDO_050_0	50 mA LDO Output #0
037	LDO_150_2	150 mA LDO Output #2
038	LDO_IN1	Input Voltage to LDO_150_2, LDO_150_1 and LDO_150_0.
039	LDO_150_1	150 mA LDO Output #1
040	LDO_150_0	150 mA LDO Output #0
045	VDD_CKGEN18	Filter Capacitor for Internal 1.8V CKGEN LDO
047	VDD_CKGEN33	Filter Capacitor for Internal 3.3V CKGEN LDO

16.2 LDO - LDO_150 & LDO_050 ELECTRICAL CHARACTERISTICS

Unless otherwise specified, typical values at $T_A = 25^\circ\text{C}$, $V_{IN1}=V_{IN2}=V_{SYS}= 3.8\text{V}$, $T_A = -40^\circ\text{C}$ to $+85^\circ\text{C}$, $C_{OUT}=C_{IN}=1\mu\text{F}$

SYMBOL	PARAMETER	CONDITIONS	MIN	TYP	MAX	UNIT
V_{IN1}, V_{IN2}	Input Voltage Requirements		3		5.5	V
V_{OUT}	Output Voltage Range		0.75		3.7	V
V_{STEP}	Output Voltage Step Size			25		mV
V_O	Output Accuracy	$I_{out} = 0$ to Rated Current $V_{IN} = 3\text{V}$ to 5.5V Over Line And Load Conditions	-4		+4	%
$V_{DROPOUT}$	Dropout voltage ($V_{IN}-V_{OUT}$)	($I_{RATED}/3$ load) ($I_{RATED}/2$ load) (I_{RATED} load) Note 1		74 102 210	150 200 300	mV
I_{RATED}	Maximum Rated Output Current	LDO_050 LDO_150	50 150			mA
I_{LIM}	Maximum Programmable Current Limit	LDO_050 LDO_150	65 195		125 375	mA
I_{STEP_SIZE}	Current Limit Step Size			25		% of Maximum Programmable Current Limit
I_{LIM_RANGE}	Current Limit Programming Range	LDO150_0 @ 0x61 [1:0]; LDO150_1 @ 0x63 [1:0]; LDO150_2 @ 0x65 [1:0]; LDO50_0 @ 0x67 [1:0]; LDO50_1 @ 0x69 [1:0]; LDO50_2 @ 0x6B [1:0]; LDO50_3 @ 0x6D [1:0];	25		100	% of Maximum Programmable Current Limit
I_{Q150}	Quiescent Current Into LDO_150 (IN#1)	Standard Operation All Three LDOs Active, Measured At V_{IN_IN1} LDO150_0 @ 0x60 [7:7] = 1; LDO150_1 @ 0x62 [7:7] = 1; LDO150_2 @ 0x64 [7:7] = 1;		40	53	μA
I_{Q50}	Quiescent Current Into LDO_50 (IN#2)	Standard Operation All Four LDOs Active, Measured At V_{IN_IN2} LDO50_0 @ 0x66 [7:7] = 1; LDO50_1 @ 0x68 [7:7] = 1; LDO50_2 @ 0x6A [7:7] = 1; LDO50_3 @ 0x6C [7:7] = 1;		53	71	μA

Notes:

- Dropout voltage is defined as the input to output differential at which the output voltage drops 2% below its nominal value measured at 1V differential. Not applicable to output voltages less than 3V.

16.3 LDO – TYPICAL PERFORMANCE CHARACTERISTICS

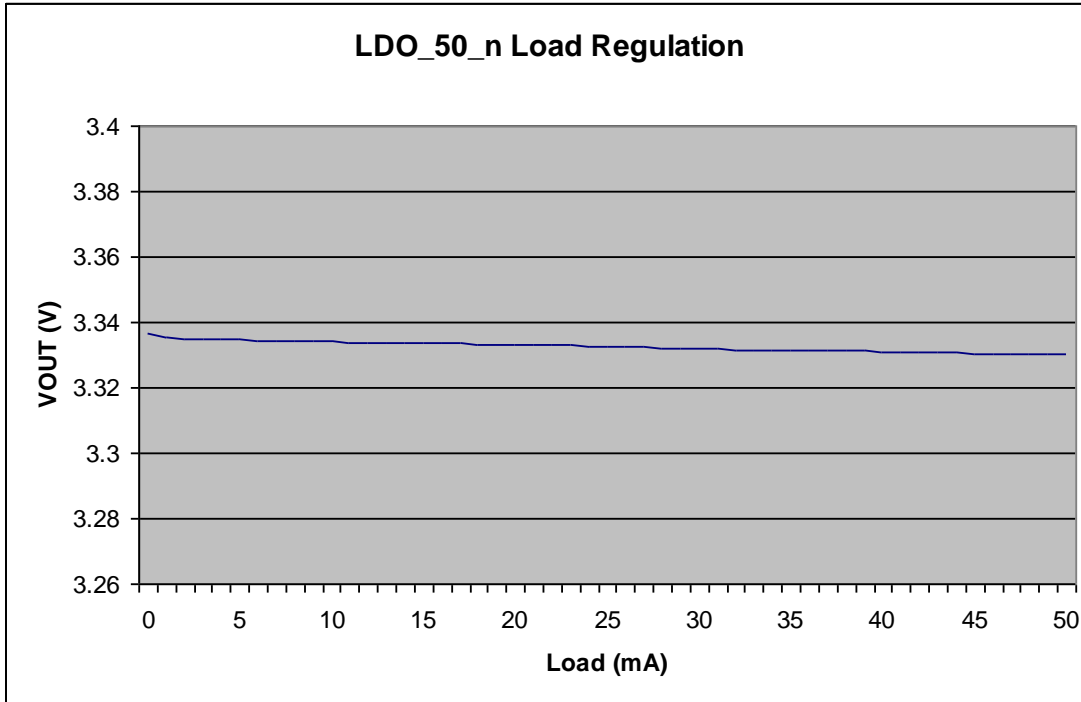


Figure 34 – LDO_050_n 50mA LDO Load Regulation

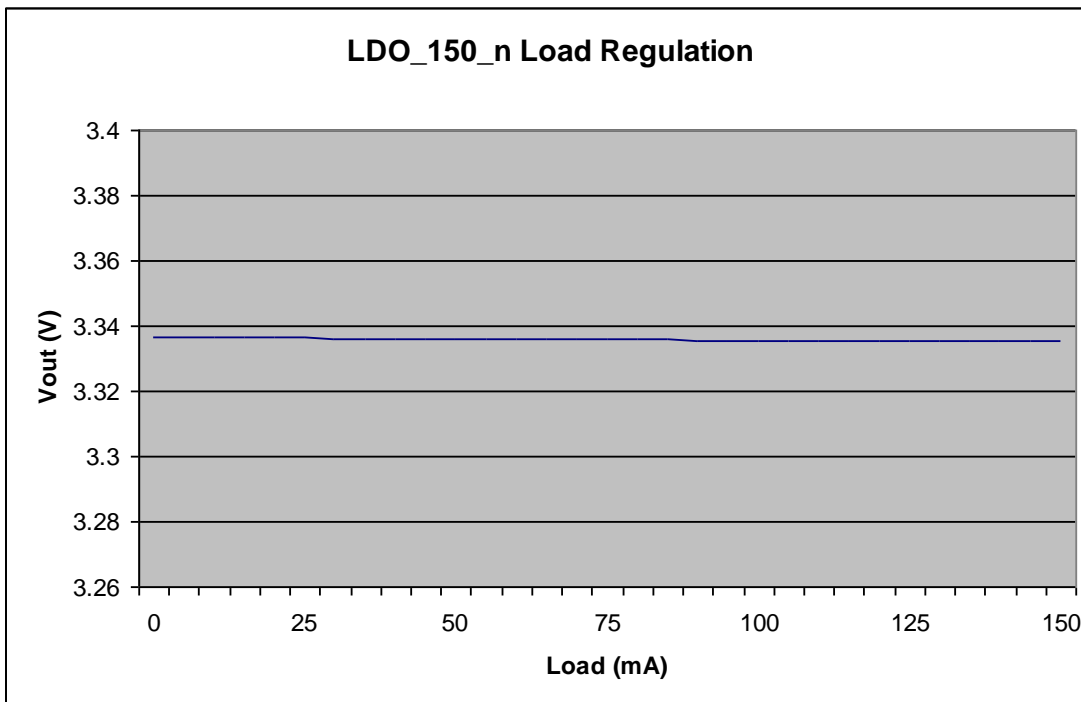


Figure 35 – LDO_150_n 150mA LDO Load Regulation

16.4 LDO - LDO_LP - ELECTRICAL CHARACTERISTICS

Unless otherwise specified, typical values at $T_A = 25^\circ\text{C}$, $V_{IN} = V_{SYS} = 3.8\text{V}$, $T_J = 0^\circ\text{C}$ to $+85^\circ\text{C}$, $C_{OUT} = C_{IN} = 1\mu\text{F}$

SYMBOL	PARAMETER	CONDITIONS	MIN	TYP	MAX	UNIT
V_{SYS}	SYS Input Voltage Requirements		3		5.5	V
V_{OUT}	Output Voltage	$T_A = 25^\circ\text{C}$, Over Line And Load	3.15	3.3	3.45	V
$V_{DROPOUT}$	Dropout voltage ($V_{IN} - V_{OUT}$)	$I_{OUT} = 10\text{ mA}$, Note 2.		150	TBD	mV
I_{OUT}	Output Current				10	mA

Notes:

- Dropout voltage is defined as the input to output differential at which the output voltage drops 2% below its nominal value measured at 1V differential. Not applicable to output voltages less than 3V.

16.5 LDO - LIST OF ALL LDOS

LDO Name	Source	V_{OUT}	Comments	For Module
LDO_150	LDO_IN1	0.75V – 3.7V	150 mA max. LDO	External Usage
LDO_050	LDO_IN2	0.75V – 3.7V	50 mA max. LDO	External Usage
LDO_LP	V_{SYS}	3.3 / 3.0	Always on LDO, selectable 3.3V or 3.0V output voltage	CKGEN
VDD_CKGEN33	V_{SYS}	3.3	Turn On/Off depending on PSTAT_ON register (Cyrus "ON" flag)	
VDD_CKGEN18	V_{SYS}	1.8	Turn On/Off depending on PSTAT_ON register (Cyrus "ON" flag)	
VDD_AUDIO33	LDO_IN3	3.3	Can be turned on/off via enable bits in LDO_AUDIO18 and	AUDIO & CLASS_D_DIG
VDD_AUDIO18	LDO_IN3	1.8	LDO_AUDIO33 registers	
VDD_EMBUP18	V_{SYS}	1.8	Turn On/Off depending on whether there is an interrupt pending	EMBUP

16.6 LDO – REGISTER SETTINGS

The LDO Module can be controlled and monitored by writing 8-bit control words to the various registers. The base addresses are defined in [Table 3 – Register Address Global Mapping](#) on page 20.

16.6.1 LDO_150 AND LDO_050 – OPERATION REGISTERS

The Output Voltage Registers for the LDO_150 & LDO_050 LDOs contain the enable bit and setting bits for the output voltage.

$LDO_150_0 = I^2C$ Address = Page-0: 96 (0x60), μC Address = 0xA060

$LDO_150_1 = I^2C$ Address = Page-0: 98 (0x62), μC Address = 0xA062

$LDO_150_2 = I^2C$ Address = Page-0: 100 (0x64), μC Address = 0xA064

$LDO_050_0 = I^2C$ Address = Page-0: 102 (0x66), μC Address = 0xA066

$LDO_050_1 = I^2C$ Address = Page-0: 104 (0x68), μC Address = 0xA068

$LDO_050_2 = I^2C$ Address = Page-0: 106 (0x6A), μC Address = 0xA06A

$LDO_050_3 = I^2C$ Address = Page-0: 108 (0x6C), μC Address = 0xA06C

Bit	Bit Name	Def. Set.	User Type	Value	Description / Comments
[6:0]	VOUT	[]	RW	Output Voltage = $V_{OUT} * 25\text{ mV} + 750\text{ mV}$	Performance and accuracy are not guaranteed with bit combinations above 1110110.
7	ENABLE	0b	RW	1 = Enable 0 = Disable	LDO local enable bit for the LDO_150 and LDO_050 LDOs Reserved bit for LDO_050_0

16.6.2 LDO_150 AND LDO_050 – CONTROL REGISTERS

The Control Registers contains bits for setting the Current Limit.

LDO_150_0 = I²C Address = Page-0: 97 (0x61), μ C Address = 0xA061
 LDO_150_1 = I²C Address = Page-0: 99 (0x63), μ C Address = 0xA063
 LDO_150_2 = I²C Address = Page-0: 101 (0x65), μ C Address = 0xA065
 LDO_050_0 = I²C Address = Page-0: 103 (0x67), μ C Address = 0xA067
 LDO_050_1 = I²C Address = Page-0: 105 (0x69), μ C Address = 0xA069
 LDO_050_2 = I²C Address = Page-0: 107 (0x6B), μ C Address = 0xA06B
 LDO_050_3 = I²C Address = Page-0: 109 (0x6D), μ C Address = 0xA06D

Bit	Bit Name	Def. Set.	User Type	Value	Description / Comments
[1:0]	I_LIM	00b	RW	(See Table 31)	Current Limit (%)
[7:2]	RESERVED	000000b	RW		RESERVED

Table 31 – Control Register Current Limit (I_LIM) Settings for Bits [1:0]

Bit 3	Bit 2	Description
0	0	Current Limit = 120 % of Rating
0	1	Current Limit = 90 % of Rating
1	0	Current Limit = 60 % of Rating
1	1	Current Limit = 30 % of Rating

Note – Current Limit is at maximum when bits [1:0] are both set to 0.

16.6.3 VDD_AUDIO18 LDO REGISTER

The VDD_AUDIO18 Register contains the enable bit and the output voltage bit.

I²C Address = Page-0: 110 (0x6E), μ C Address = 0xA06E

Bit	Bit Name	Def. Set.	User Type	Value	Description / Comments
0	SEL_15V	0b	RW	0 = 1.8 V 1 = 1.5 V	Select VDD_Audio18 Output Voltage (1.8V or 1.5V)
[6:1]	RESERVED	000000b	RW		RESERVED
7	EN_AUDIO18	0b	RW	0 = Not Enabled 1 = Enabled	Enable VDD_AUDIO18 LDO

16.6.4 VDD_AUDIO33 LDO REGISTER

The VDD_AUDIO33 Voltage Register contains the enable bit and the output voltage bits.

I²C Address = Page-0: 111 (0x6F), μ C Address = 0xA06F

Bit	Bit Name	Def. Set.	User Type	Value	Description / Comments
[6:0]	VOUT	1100110b	RW	Output Voltage = VOUT * 25 mV + 750 mV	Default = 3.3 V. Performance and accuracy are not guaranteed with bit combinations above 1110110 (3.7V).
7	EN_AUDIO33	0b	RW	0 = Disable 1 = Enable	Enable Audio_33 LDO

16.6.5 EXTERNAL LDO POWER GOOD REGISTER

The LDO_STATUS1 Register contains the power good bits for the LDO_150 and LDO_050 LDOs.

I²C Address = Page-0: 112 (0x70), μ C Address = 0xA070

Bit	Bit Name	Def. Set.	User Type	Value	Description / Comments
0	LDO_150_0_PG	N/A	R	0 = Power NOT Good 1 = Power IS Good	Power Good Status for LDO_150_0
1	LDO_150_1_PG	N/A	R		Power Good Status for LDO_150_1
2	LDO_150_2_PG	N/A	R		Power Good Status for LDO_150_2
3	LDO_050_0_PG	N/A	R		Power Good Status for LDO_050_0
4	LDO_050_1_PG	N/A	R		Power Good Status for LDO_050_1
5	LDO_050_2_PG	N/A	R		Power Good Status for LDO_050_2
6	LDO_050_3_PG	N/A	R		Power Good Status for LDO_050_3
7	RESERVED	0b	R		RESERVED

16.6.6 INTERNAL LDO POWER GOOD REGISTER

The LDO_STATUS2 Register contains power good bits for internal LDOs: VDD_AUDIO33, VDD_CKGEN18 and VDD_CKGEN33.

I²C Address = Page-0: 113(0x71), μ C Address = 0xA071

Bit	Bit Name	Def. Set.	User Type	Value	Description / Comments
0	VDD_AUDIO33_PG	N/A	R	0 = Power NOT Good 1 = Power IS Good	Power Good Status for AUDIO33 LDO
1	VDD_CKGEN18_PG	N/A	R		Power Good Status for CKGEN18 LDO
2	VDD_CKGEN33_PG	N/A	R		Power Good Status for CKGEN33 LDO
[7:3]	RESERVED	00000b	R		RESERVED

16.6.7 LOW POWER LDO VOLTAGE REGISTER

The LDO_LP Voltage Register contains one voltage select bit.

LDO_LP_VOL: I²C Address = Page-0: 114(0x72), μ C Address = 0xA072

Bit	Bit Name	Def. Set.	User Type	Value	Description / Comments
0	LDO_LP_VOL	0b	RW	0 = 3.3 V 1 = 3.0 V	Select "Always-On" LDO Output Voltage (Default = 3.3V, Optional = 3.0V)
[7:1]	RESERVED	0000000b	RW		RESERVED

16.6.8 EXTERNAL LDO FAULT INTERRUPT ENABLE REGISTER

The EXT_LDO_FAULT_INT_EN Register contains the fault interrupt enable bits for the 7 external LDOs.

LDO_FAULT: I²C Address = Page-0: 115(0x73), μ C Address = 0xA073

Bit	Bit Name	Def. Set.	User Type	Value	Description / Comments
0	LDO_050_0_FLT_INT_EN	0b	RW	0 = Disable 1 = Enable	Fault interrupt enable for LDO_050_0
1	LDO_050_1_FLT_INT_EN	0b	RW		Fault interrupt enable for LDO_050_1
2	LDO_050_2_FLT_INT_EN	0b	RW		Fault interrupt enable for LDO_050_2
3	LDO_050_3_FLT_INT_EN	0b	RW		Fault interrupt enable for LDO_050_3
4	LDO_150_0_FLT_INT_EN	0b	RW		Fault interrupt enable for LDO_150_0
5	LDO_150_1_FLT_INT_EN	0b	RW		Fault interrupt enable for LDO_150_1
6	LDO_150_2_FLT_INT_EN	0b	RW		Fault interrupt enable for LDO_150_2
7	RESERVED	0b	RW		RESERVED

16.6.9 LDO - INT_LDO_FAULT_INT Interrupt Register

The INT_LDO_FAULT_INT Register contains the Fault Status bits for the internal LDOs

I²C Address = Page-0: 117(0x75), μ C Address = 0xA075

Bit	Bit Name	Def. Set.	User Type	Value	Description / Comments
0	VDD_AUDIO33_FLT	0b	R	0 = No Fault 1 = Fault Exists	Fault in VDD_AUDIO33 regulator
1	VDD_CKGEN18_FLT	0b	R		Fault in VDD_CKGEN18 regulator
2	VDD_CKGEN33_FLT	0b	R		Fault in VDD_CKGEN33 regulator
3	LDO_LP_FAULT	0b	R		Fault in LDO_LP regulator
[7:4]	RESERVED	0000b	R		RESERVED

16.6.10 LDO SECURITY REGISTER

I²C Address = Page-0: 119(0x77), μ C Address = 0xA077h

Bit	Bit Name	Def. Set.	User Type	Value	Description / Comments
0	LDO_SEC_0	0b	RW	0 = Access allowed 1 = Access blocked	Allows or blocks the user from programming bit 4 in all of the external LDO Output Voltage Registers.
1	LDO_SEC_1	0b	RW	0 = Access allowed 1 = Access blocked	Allows or blocks the user from programming bit 5 in all of the external LDO Output Voltage Registers.
2	LDO_SEC_2	0b	RW	0 = Access allowed 1 = Access blocked	Allows or blocks the user from programming bit 6 in all of the external LDO Output Voltage Registers.
[7:3]	RESERVED	00000b	RW		RESERVED

16.6.11 LDO - *RESERVED* Registers

These registers are reserved. Do not write to them.

I²C Address = Page-0: 118 (0x76), μ C Address = 0xA076

I²C Address = Page-0: 120 (0x78), μ C Address = 0xA078

Thru Page-0: 127 (0x7F), μ C Address = 0xA07F

17.0 EMBUP – EMBEDDED MICROCONTROLLER SUBSYSTEM & I/O

FEATURES

- Power Up/Down Sequencing
 - ◆ Eliminates the need for the AP or another external controller (PLD/PIC) to perform this function.
 - ◆ Improves system power consumption by offloading this task from the higher power application processor.
- General monitoring and action based on external or internal events such as:
- ◆ ADC Result
 - ◆ Power Supply Fault Monitoring
 - ◆ Other System Interrupts

DESCRIPTION

The Embedded Microcontroller (EMBUP) of the P95020 can operate in one of two modes: mixed mode or stand-alone mode. In mixed mode, both the internal microcontroller and an external Application Processor (AP) can also control some or all of the P95020 subsystems. In stand-alone mode, the EMBUP completely offloads power sequencing and other functions from the application processor so that the processor can perform other functions or spend more time in sleep mode.

The microcontroller core runs at 8 MHz with a 1.8V power supply and can be shut off if required. It interfaces through V_{SYS} level signals (3.0 to 5.5V) and supports the following functions:

Device initialization
 Power sequencing for power state transitioning
 Keyboard scanning
 Enable/Disable of all Interfaces and Sub-Modules

17.1 OVERVIEW

Module	Interrupts	Interrupts	Usage
ACCM	Message signaling	1	Internal /external processor communication
CHGR	Adapter In/ Charging state change	3	Charger state detection
CLASSD-Driver	Fault	1	
DCDC	Fault	1	
GPTIMER	General purpose timer, Watchdog timer	2	
LDO	Fault	1	
GPIO	GPIO/SW_DET	10/2	System power on/off
RTC	Alarm-1, Alarm-2	2	
TSC	Pendown	1	
TSC	Die temperature high, Battery voltage low, V_{SYS} voltage low	3	

17.2 FUNCTIONAL DESCRIPTION

After a Power on Reset (POR), the P95020 embedded microcontroller will look for the presence of an external ROM via the EX_ROM pin. If an external ROM is present, the P95020 embedded microcontroller will disable the internal ROM, and load the contents into a 1.5 KB internal RAM from which it can be executed. If no external ROM is present, then the internal ROM will be used for program code.

The P95020 embedded microcontroller will execute the start-up sequence contained in the internal or external ROM and will set the various registers accordingly (all internal registers are available for manipulation by an external application processor through the I²C interface at all times). Once the registers have been programmed, the embedded microcontroller will either run additional program code or go into standby until an interrupt or other activity generates a wake event. Various events will be customer specific but could include power saving modes, sleep modes, over-temperature conditions, etc.

Contention caused by requests from both the embedded microcontroller and external processor is resolved through a bus arbitration scheme. There is no support for data concurrency in the register set. The P95020 will execute the latest (last) data/command programmed into any individual control register(s) regardless of the source (embedded microcontroller or external application processor). Care should be taken during the code development stage to avoid command contention.

17.3 ON-CHIP RAM & ROM

Memory Type	Size
ROM	4 k Bytes Maximum
RAM	1.5 k Bytes Maximum

17.4 I²C SLAVE INTERFACE

Please see the separate I2C_I2S Module in Section 15.0 for details (including register definitions).

17.5 PERIPHERALS

The peripherals of the subsystem are comprised of a timer, an interrupt controller and an I²C master. The embedded processor's peripherals are not visible to the external application processor.

The I²C master is used to optionally load data or code from an external serial EEPROM. The target EEPROM address is hardwired to 1010000. The P95020 supports EEPROMs using 16-bit addressing in the range of 4 kB to 64KB.

17.6 INTERRUPT CONTROLLER

17.6.1 OVERVIEW

The interrupt controller is built in to the EMBUP core and is only used to monitor subsystem interrupts.

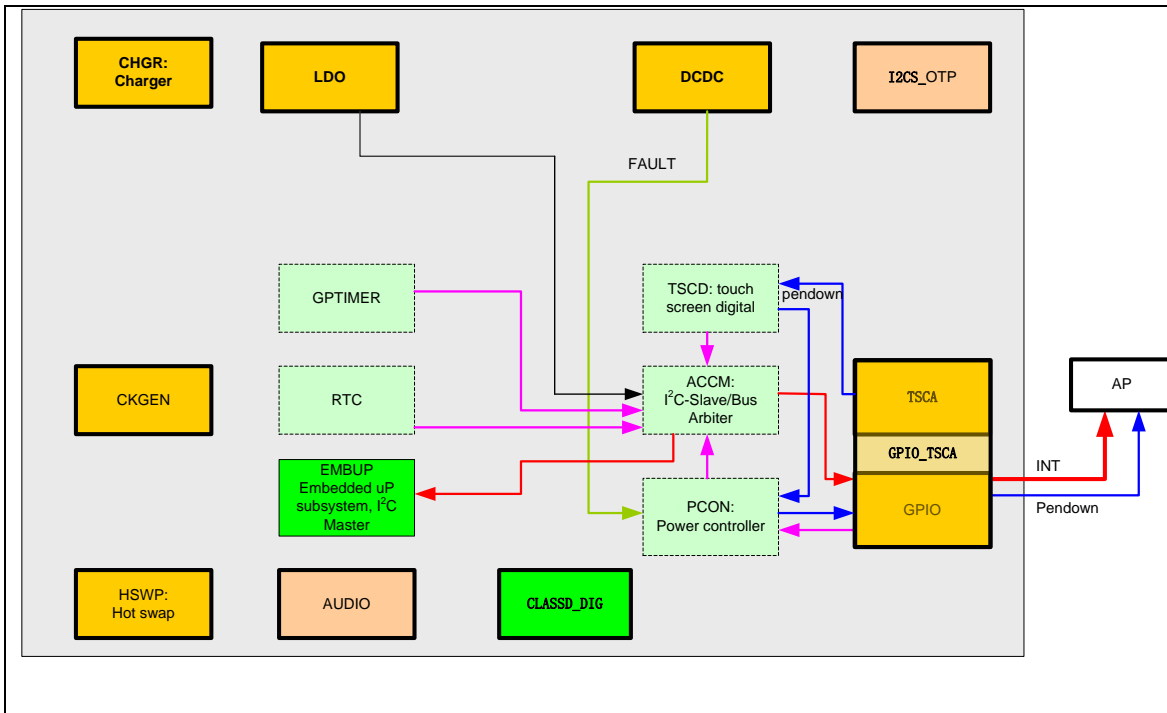


Figure 36 - Top level Interrupt routing

17.6.2 INTERRUPT HANDLING SCHEME

Each of the different functional modules may generate interrupts and these interrupts can be enabled or disabled using their associated interrupt enable registers. The generated interrupts may also be handled by either the internal microcontroller or an external processor. The interrupts generated from the functional modules are routed to the access manager (ACCM) module. The ACCM module will direct the interrupts to the appropriate processor (internal or external) according to the configurable defined in the ACCM Register.

Please note that there is no hardware level protection in to prevent interrupts that have been processed by one processor from being cleared by the other other processor. Care must be taken in software to prevent this usage scenario.

18.0 APPLICATIONS INFORMATION

18.1 EXTERNAL COMPONENTS

The P95020 requires a minimum number of external components for proper operation.

18.2 DIGITAL LOGIC DECOUPLING CAPACITORS

As with any high-performance mixed-signal IC, the P95020 must be isolated from the system power supply noise to perform optimally. A decoupling capacitor of 0.01 μF must be connected between each power supply and the PCB ground plane as close to these pins as possible. For optimum device performance, the decoupling capacitor should be mounted on the component side of the PCB. Avoid the use of vias in the decoupling circuit.

18.3 CLASS_D CONSIDERATIONS

The CLASS_D amplifier should have one 330 μF and one 0.1 μF capacitor to ground at its VDD pin.

The CLASS_D output also should have a series connected snubber consisting of a 5.1 ohm, 0603 resistor and a 220pF capacitor across the speaker output pins. No other filtering is required.

The CLASS_D BTL plus and minus output traces must be routed side by side in pairs.

18.4 SERIES TERMINATION RESISTORS

Clock output traces over one inch should use series termination. To series terminate a 50 Ω trace (a commonly used trace impedance), place a 33 Ω resistor in series with the clock line, as close to the clock output pin as possible. The nominal impedance of the clock output is 20 Ω .

18.5 I²C EXTERNAL RESISTOR CONNECTION

The SCK and SDATA pins can be connected to any voltage between 1.71 V and 3.6 V.

18.6 CRYSTAL LOAD CAPACITORS

To save discrete component cost, the P95020 integrates on-chip capacitance to support a crystal with $CL=10$ pF. It is important to keep stray capacitance to a minimum by using very short PCB traces between the crystal and device. Avoid the use of vias if possible.

18.7 PCB LAYOUT CONSIDERATIONS

For optimum device performance and lowest output phase noise, the following guidelines should be observed.

1. The 0.01 μF decoupling capacitors should be mounted on the component side of the board as close to the VDD pin as possible. No vias should be used between the decoupling capacitors and VDD pins. The PCB trace to each VDD pin should be kept as short as possible, as should the PCB trace to the ground via.
2. The external crystal should be mounted just next to the device with short traces. The X1 and X2 traces should not be routed next to each other with minimum spaces, instead they should be separated and away from other traces.
3. To minimize EMI, the 33 Ω series termination resistor (if needed) should be placed close to the clock output.
4. An optimum layout is one with all components on the same side of the board, minimizing vias through other signal layers. Other signal traces should be routed away from the P95020. This includes signal traces just underneath the device, or on layers adjacent to the ground plane layer used by the device.

18.8 POWER DISSIPATION AND THERMAL REQUIREMENTS

The power dissipated in the P95020 will depend primarily on the total internal power dissipation and the junction temperature. Careful consideration must be given to the overall thermal design. Actual thermal resistance θ_{JA} must be determined at the customer's end product level, being based on the end package design parameters and available device internal cooling. See Figure 37 for required package power de-rating.

18.9 TYPICAL BLOCK PERFORMANCE CHARACTERISTICS GRAPHS

This section is TBD.

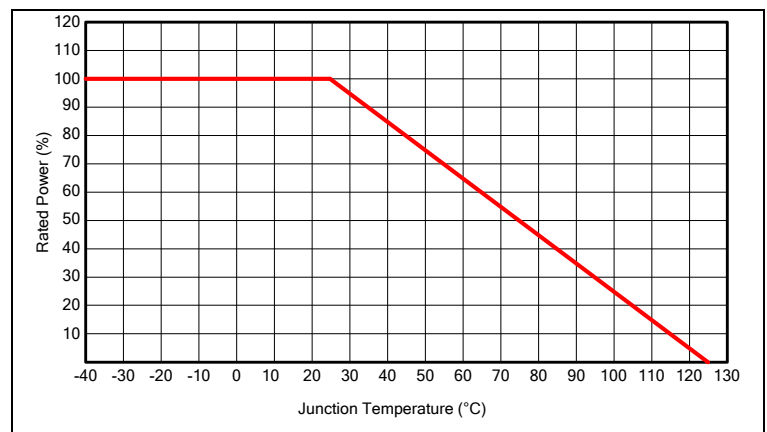
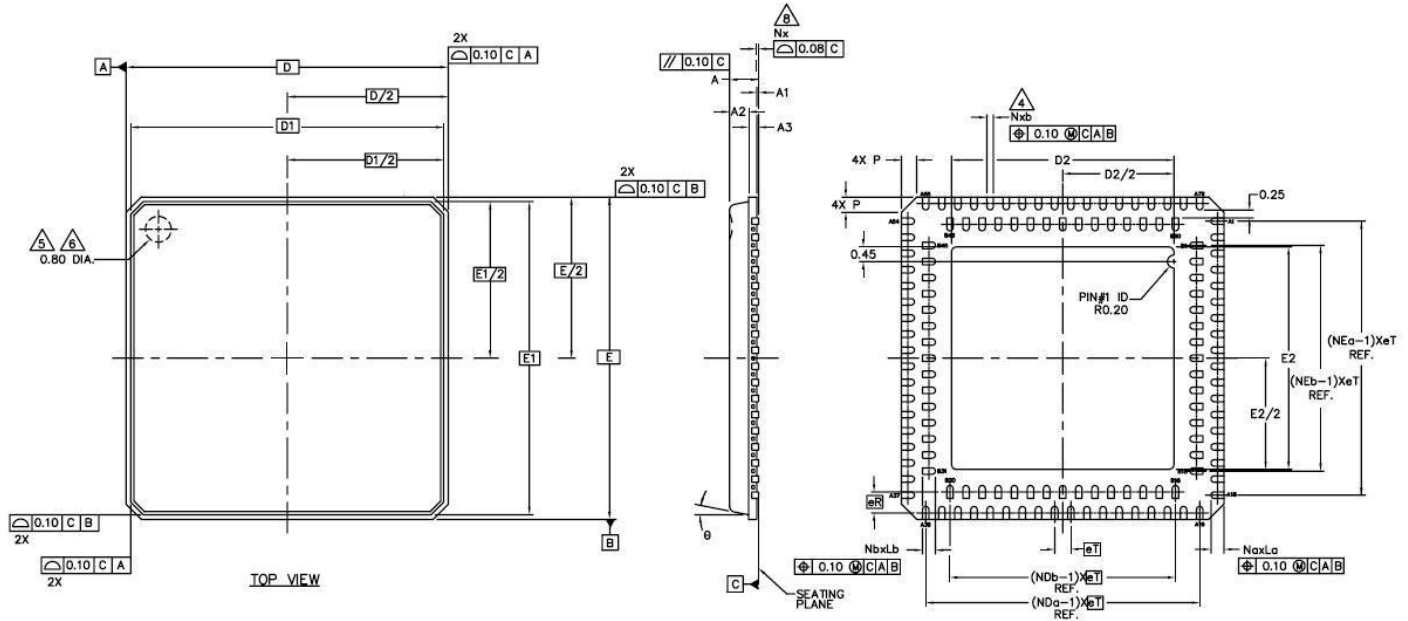


Figure 37 – Power Derating Curve (Typical)

20.2 NQG132 PACKAGE OUTLINE (Exposed Die Paddle Size D2 = E2 = 5.5 mm)



NOTES:

1. DIE THICKNESS ALLOWABLE IS 0.305mm MAXIMUM(.012 INCHES MAXIMUM)
2. DIMENSIONING & TOLERANCES CONFORM TO ASME Y14.5M. - 1994.
3. N IS THE NUMBER OF TERMINALS.
NDa, NDb ARE THE NUMBER OF TERMINALS IN X-DIRECTION &
NEa, NEb ARE THE NUMBER OF TERMINALS IN Y-DIRECTION.
4. DIMENSION b APPLIES TO PLATED TERMINAL AND IS MEASURED BETWEEN 0.15 AND 0.30mm FROM TERMINAL TIP.
5. THE PIN #1 IDENTIFIER MUST BE EXISTED ON THE TOP SURFACE OF THE PACKAGE BY USING INDENTATION MARK OR OTHER FEATURE OF PACKAGE BODY.
6. EXACT SHAPE AND SIZE OF THIS FEATURE IS OPTIONAL.
7. ALL DIMENSIONS ARE IN MILLIMETERS.
8. UNILATERAL COPLANARITY ZONE APPLIES TO THE EXPOSED PAD AS WELL AS THE TERMINALS.
9. APPLIED ONLY FOR TERMINALS.
<STANDARD>
10. DIMENSIONS OF D2 & E2 VARY DEPENDING ON DEVICE. SEE DEVICE DATASHEET.

SYMBOL	COMMON DIMENSIONS			N _O T _E
	MIN.	NOM.	MAX.	
A	0.80	0.85	0.90	8
A1	0.00	0.01	0.05	
A2	0.55	0.60	0.65	
A3	0.25 REF.			
D	10.00 BSC			
D1	9.73 BSC			
E	10.00 BSC			
E1	9.73 BSC			

SYMBOL	PITCH VARIATION			N _O T _E
	MIN.	NOM.	MAX.	
eT	0.50 BSC			
eR	0.65 BSC			
N	132			3
NDa	18			3
NDb	15			3
NEa	18			3
NEb	15			3
L _a	0.30	0.40	0.50	
L _b	0.30	0.40	0.50	
b	0.17	0.22	0.27	4
D2	SEE NOTE			
E2	SEE NOTE			
θ	-	-	12°	
P	0.24	0.42	0.60	

21.0 ORDERING INFORMATION

Part / Order Number	Shipping Packaging	Package	Temperature
P95020ZLLG	Tubes	124-pin LLGA	0 to +70° C
P95020ZLLG8	Tape and Reel	124-pin LLGA	0 to +70° C
P95020ZLLGI	Tubes	124-pin LLGA	-40 to +85° C
P95020ZLLGI8	Tape and Reel	124-pin LLGA	-40 to +85° C
P95020ZNQG	Tubes	132-pin QFN	0 to +70° C
P95020ZNQG8	Tape and Reel	132-pin QFN	0 to +70° C
P95020ZNQGI	Tubes	132-pin QFN	-40 to +85° C
P95020ZNQGI8	Tape and Reel	132-pin QFN	-40 to +85° C

While the information presented herein has been checked for both accuracy and reliability, Integrated Device Technology (IDT) assumes no responsibility for either its use or for the infringement of any patents or other rights of third parties, which would result from its use. No other circuits, patents, or licenses are implied. This product is intended for use in normal commercial applications. Any other applications such as those requiring extended temperature ranges, high reliability, or other extraordinary environmental requirements are not recommended without additional processing by IDT. IDT reserves the right to change any circuitry or specifications without notice. IDT does not authorize or warrant any IDT product for use in life support devices or critical medical instruments.

Innovate with IDT. Contact:

www.IDT.com

For Sales

800-345-7015

408-284-8200

Fax: 408-284-2775

For Tech Support

www.idt.com/

Corporate Headquarters

Integrated Device Technology, Inc.

www.idt.com