



SLAMTEC MAPPER M1M1-360°Laser Mapping Sensor TOF 20m [Pre-order]

SKU:DFR0628

INTRODUCTION

Note: SLAMTEC MAPPER M1M1-360°Laser Mapping Sensor TOF 20m is available to pre-order.

SLAMTEC MAPPER M1M1-360°Laser Mapping Sensor TOF 20m is a new laser range scanner category with built-in mapping and localization feature.

Slamtec Mapper, a new laser range scanner category integrating map building and real time localization and navigation, contains the SLAMTEC third generation high-performance SLAM engine and laser range scanner.

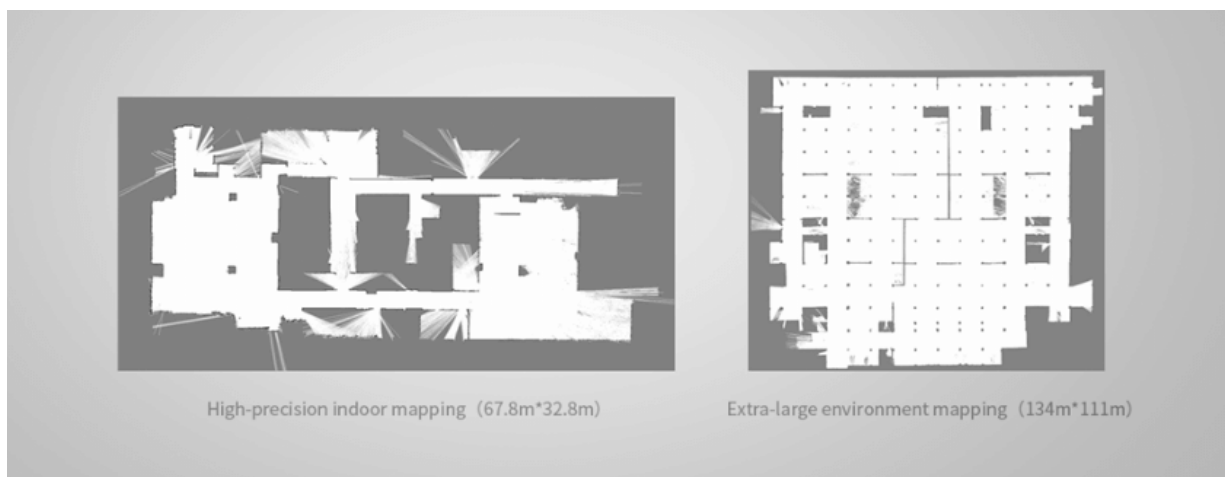
Plug and play, without any external dependence. It is suitable to be applied in application fields like robot localization and navigation, environment surveying and mapping and etc.



Large Scenarios and High-quality Mapping

Slamtec Mapper adopts SLAMTEC third generation high-performance SLAM graph optimization engine and SharpEdge™ mapping technology to realize a high accurate thousand-square-meter map building and real time localization, and it can actively detect the closed loop and correct map.

The mapper is an ideal choice for users to realize mapping and re-localization in various complicated scenarios and output map and localization data that meets users' expectations.



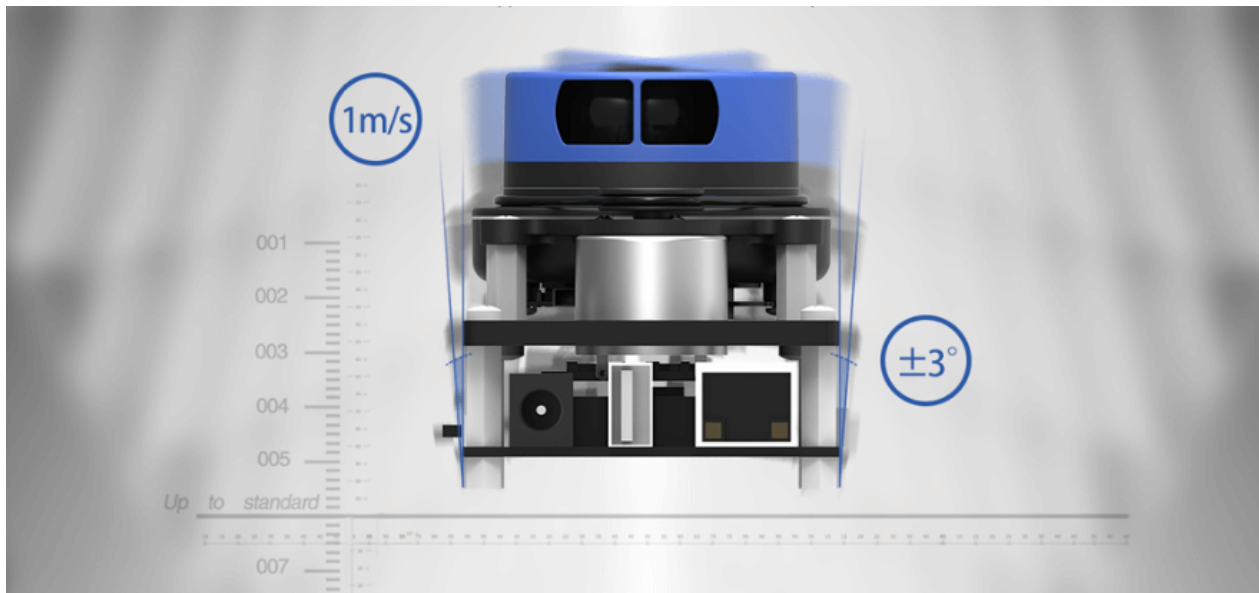
Plug and play, without any external dependence

Slamtec Mapper just needs a USB power cable to work well, without any additional support or accessories.



Tilting Compensation and Fast Moving

With built-in inertial navigation system with nine degrees of freedom, Slamtec Mapper can work properly in tilting and shaky hand-held mode and ensure an excellent map data quality. In addition, it supports to move fast with a maximum speed of 1m/s.



Indoor and Outdoor Availability

Whether in complicated indoor environment or outdoor environment with direct daylight, Slamtec Mapper shows a good performance in mapping and localization in those complicated scenarios.



Fully Compatible with ROS, Easy Data Analysis

Slamtec Mapper provides completed cross-platform SDK and tools both on phone and PC side for users to evaluate, develop and use.

Through matched ROS driver, you can integrate the generated map and localization data into ROS environment seamlessly.



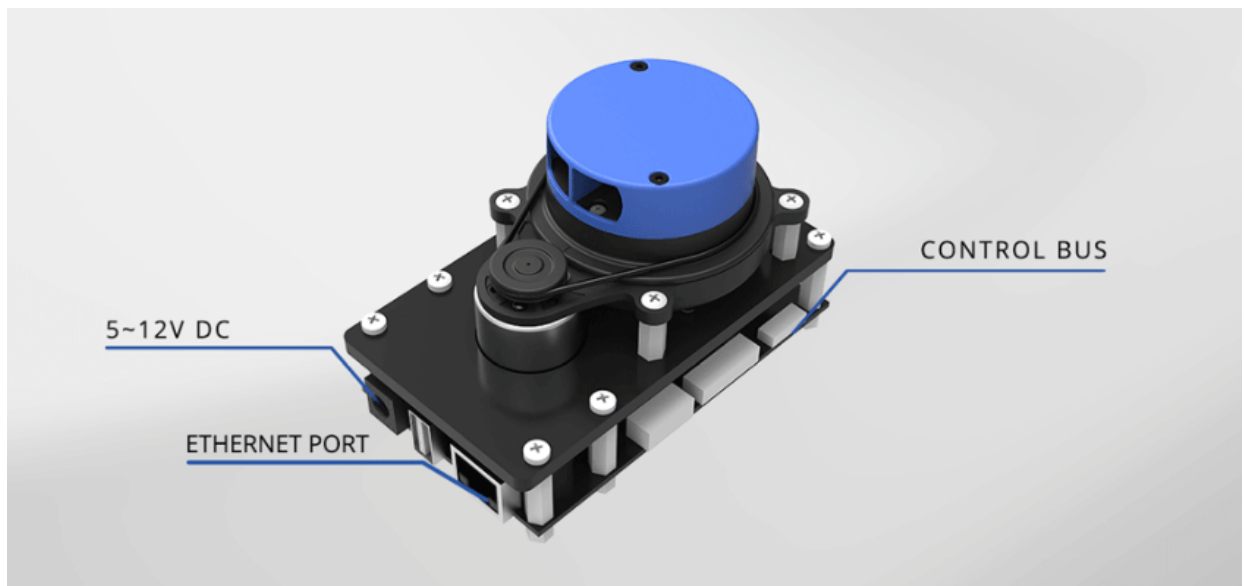
More Than A Mapper

Slamtec Mapper is not only a mapper for mapping and localization, you can also use it directly as a laser range scanner. Via SDK or ROS node, you can easily put the data of the laser range scanner into the user's current system.



Built-in WIFI, Ethernet port, Easy communication

With built-in access point and station mode WiFi as well as 100M Ethernet port, you can get the real time map and localization data generated by Slamtec Mapper through designed mobile application.



Mapper, Learn More



100, 000m²
large working scenarios



Compatible
SLAMTEC ecosystem



Multiple
work modes



Small size



Low power



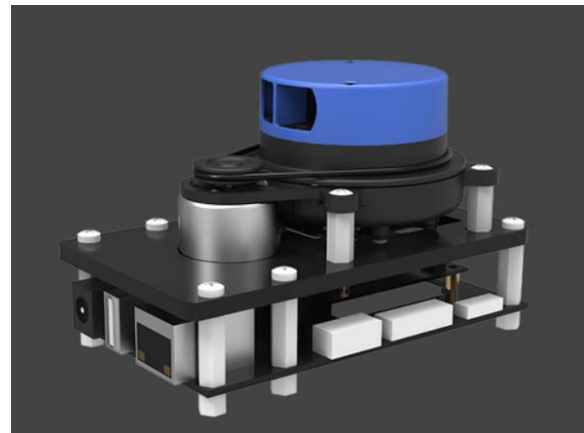
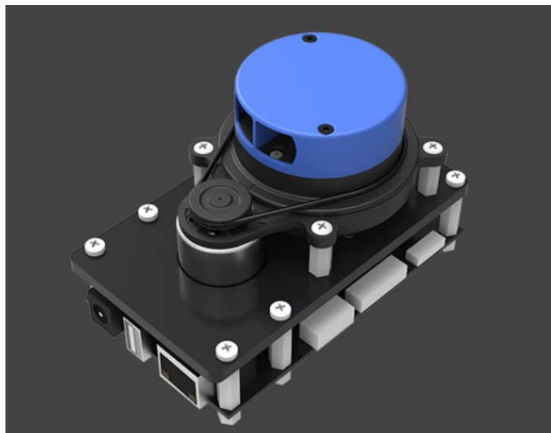
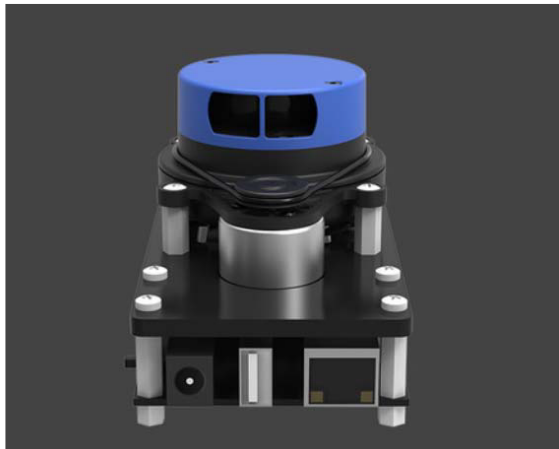
Class 1

SPECIFICATION

- Distance Range: 20m
- Sample Rate: 7K
- Max Mapping Area: 300m x 300m
- Resolution: 5cm
- Max Moving Speed: 1m/s
- Max Rotate Speed: TBD
- Re-localization Accuracy: <0.02m
- Map Optimization Duration: About 1 hour
- Slope Angle: $\pm 3^\circ$
- Data Refresh Rate: 8Hz

SHIPPING LIST

- SLAMTEC MAPPER M1M1-360°Laser Mapping Sensor TOF 20m x1



<https://www.dfrobot.com/product-1884.html?search=DFR0628/8-15-19>