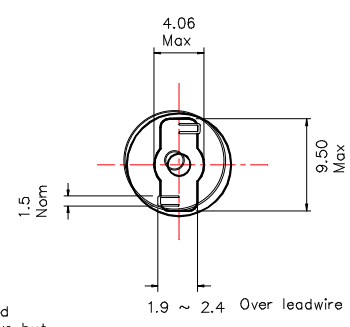
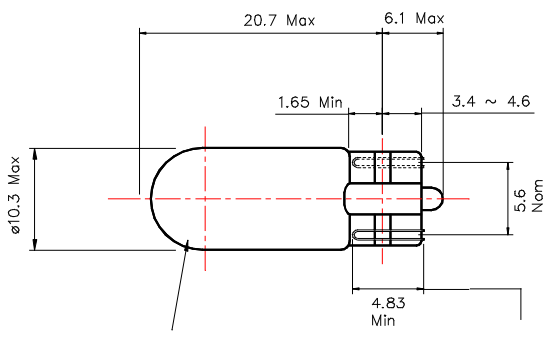
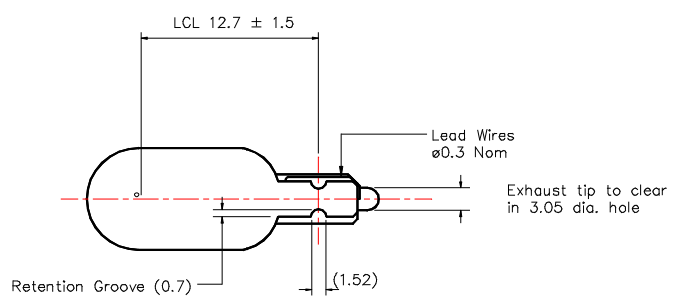


Part Number: **CM658**

Type	Size	Rating	Description
Incandescent	T10	14V 80mA	T-3¼ Wedgebase lamp



Clear glass properly annealed, shall be uniform in shape and substantially free of prismatic action.

Lead wires to extend past retention groove but not beyond flat section of wedge

TEST VOLTS	CURRENT (mA)			LIGHT OUTPUT (Lm)			LIFE Hours
	Min.	Nom.	Max.	Min.	Nom.	Max.	
14	72	80	88	2.5	3.8	4.7	15,000

Notes:

- 1 **Base** W2.1x9.5d with 2 detents
- 2 **Filament** C-2F
- 3 **Marking** CML 658 14V 80mA (two line)  
Black indelible ink
- 4 **Bead colour** White or clear
- 5 **Environment** RoHS & REACH SVHC compliant