




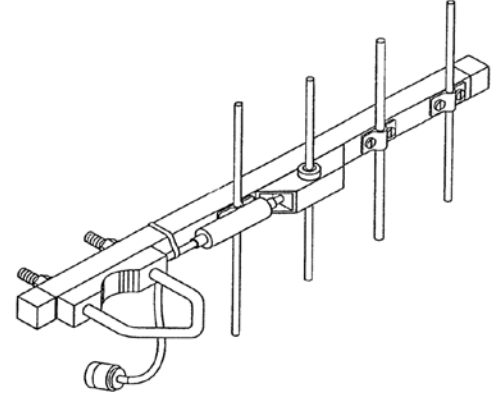


ANTENNA TECHNOLOGIES LIMITED COMPANY

Model 928-4 Broadband Yagi Antenna

Key Features

-  **“EverSealed”** feed system ensures against system failure due to moisture
-  Fully balanced design delivering peak performance with no field tuning required
-  Rugged, square boom construction and stainless steel hardware for quick and easy installation



Electrical Specifications	928-4
Frequency Range, MHz	896-960
Gain, dBd	7 minimum
Front to Back Ratio, dB	14 minimum
VSWR (50 Ohms)	1.2:1 typical
1.5:1 Bandwidth MHz	64 minimum
3 dB Beamwidth E/H Planes, degrees	58/81
Stacking Distance, E/H, inches	11/8
Maximum Power, watts	50*
Cable type/length	RG58, 1 (.3)
Connector	N Female
Polarization	Vertical

**Limited by feedline. Higher power ratings are available as an option.*



Mechanical Specifications	928-4
Number of Elements	4
Boom Length, feet (m)	1.25 (.38)
Boom Material	.750" by .750 square tube 6061-T6 aluminum
Element Material	.188" diameter 2011-T3 aluminum rod
Mast Diameter, inches, (cm)	1.25-2.00 (3.2-5.1)
Mounting	Rear
Wind Surface Areas, feet	.12 (.011)
Wind Survival, mph (kph)	150 (240)
Weight, pounds (kg)	1.0 (.45)

22560 Glenn Drive #114 | Sterling, Virginia 20164
www.atcllc.com sales@atcllc.com
Office: 703-450-5517

ATLC products for military use may be subject to U.S. ITAR EXPORT CONTROLS, an export license may be required.