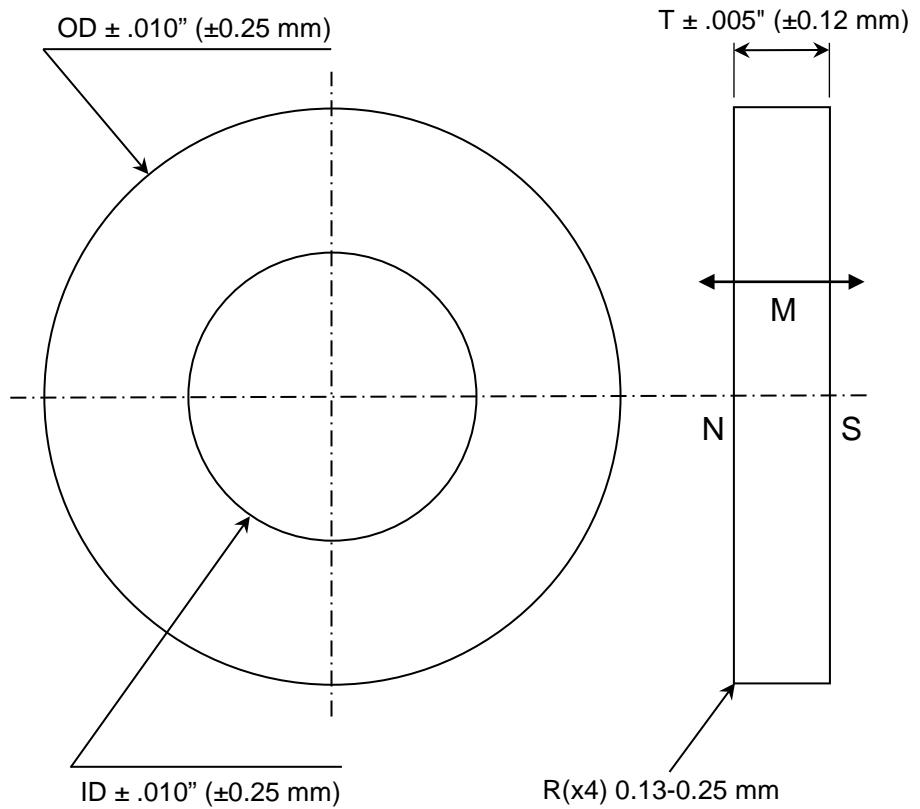


Part #	OD mm	OD inch	ID mm	ID inch	T mm	T inch	Coating
YB-067-1	75.49	2.97	19.05	0.75	10.16	0.400	Black Epoxy
YB-067-2	75.49	2.97	19.05	0.75	10.16	0.400	Zinc Plating
YB-068-1	59.84	2.36	19.05	0.75	10.16	0.400	Black Epoxy
YB-068-2	59.84	2.36	19.05	0.75	10.16	0.400	Zinc Plating
YB-071-1	97.79	3.85	53.87	2.12	3.18	0.125	Black Epoxy

CONFIDENTIAL & PROPRIETARY INFORMATION
 This document contains Confidential and Proprietary Information of Alliance LLC, and all design, manufacturing, reproduction, use, and sale rights of such information are expressly reserved



MAGNET PROPERTIES PER N38SH:

- Br: 12,200-12,600 G
- Hc: 11,300-12,000 Oe
- Hci: $\geq 20,000$ Oe
- BH_(max): 36-38 MGOe
- T max: 150° C (302° F)
- Magnetic loss: -0.11%Br/°C

Alliance LLC		
1450 CLARK DRIVE, VALPARAISO, INDIANA 46385		
DESCRIPTION: RARE EARTH RING MAGNET		
P/N: YB-XXX-X	Rare Earth NdFeB	
MATERIAL: NdFeB	Dwg by: BT	REV LEVEL: A
COATING: See Table	Apr by: DV	Apr. Dated: 02-18-2020

TOLERANCES
 (UNLESS OTHERWISE NOTED)

DECIMAL	METRIC
X.XX = $\pm .01$	X.X = $\pm .25$
X.XXX = $\pm .005$	X.XX = $\pm .13$

ANGLES
 $\pm .5^\circ$

DO NOT SCALE DRAWING

Rev	Date	By

